



CEILING MICROPHONE

RM-CG

Reference Manual

CONTENTS

Information.....	1
INTRODUCTION.....	2
Available utility software	2
Available manuals.....	2
CONTROLS AND FUNCTIONS	3
Front panel.....	3
Side panel.....	4
AVAILABLE UTILITY SOFTWARE.....	5
Starting up the Web GUI Device Manager	5
APPENDIX.....	8
Block diagram	8
Alert log list	9
EXPLANATIONS	11
Specifying the tracking area	11
Updating the firmware.....	12
Initializing.....	13
MAIN SPECIFICATION	14

Information

- The illustrations and images shown in this manual are for instructional purposes only.
- The company names and product names in this manual are trademarks or registered trademarks of their respective companies.
- We are continuously improving the software for our products. The latest version can be downloaded from the Yamaha website.
- This document is based on the latest specifications at the time of publication. The latest version can be downloaded from the Yamaha website.
- Reproduction of this manual in whole or in part without permission is prohibited.

INTRODUCTION

Thank you for purchasing the Yamaha RM-CG ceiling microphone. This microphone, one of the devices that make up the ADECIA ceiling solution, can be attached to the ceiling of a conference room.

For correct and safe use of this product, be sure to first read this manual carefully together with the RM-CG Installation Manual (included with the product).

Available utility software

This utility software can be used to set up this unit according to its use and environment.

- | | |
|--|---|
| <input type="checkbox"/> Web GUI “RM-CG Device Manager” | This allows you to use a computer browser to configure and operate this unit. |
| <input type="checkbox"/> RM Device Finder | This is application software for controlling ADECIA devices on the network. It detects the ADECIA devices on the network and displays the Device Manager for each device. |
| <input type="checkbox"/> ProVisionaire Design | This is Windows application software for designing and managing an entire sound system made up of a combination of various devices. |
| <input type="checkbox"/> ProVisionaire Control | This is Windows application software that allows you to remotely control parameters for various devices from a single control panel. |
| <input type="checkbox"/> ProVisionaire Touch | This is iPad application software that allows you to remotely control parameters for various devices from a single control panel. |

Available manuals

This describes the manuals related to this product.

- | | |
|--|---|
| <input type="checkbox"/> Installation Manual (included) | This contains the precautions for using this unit safely as well as the installation procedure. |
| <input checked="" type="checkbox"/> Reference Manual (this manual/PDF) | This provides details on connecting and using this unit. |
| <input type="checkbox"/> Web GUI Device Manager Operation Guide | This provides details on the Web GUI Device Manager, which allows you use your computer to configure and operate this unit. |
| <input type="checkbox"/> RM Series Remote Control Protocol Specifications | This provides details on command information for acquiring and controlling information about this unit from external devices. |
| <input type="checkbox"/> ProVisionaire Design User Guide | This provides details on using ProVisionaire Design. |
| <input type="checkbox"/> ProVisionaire Control Setup Guide | This provides details on using ProVisionaire Control. |

Software and manuals related to this product can be downloaded from the following website.

▼ Yamaha website (Downloads)

U.S.A. and Canada:

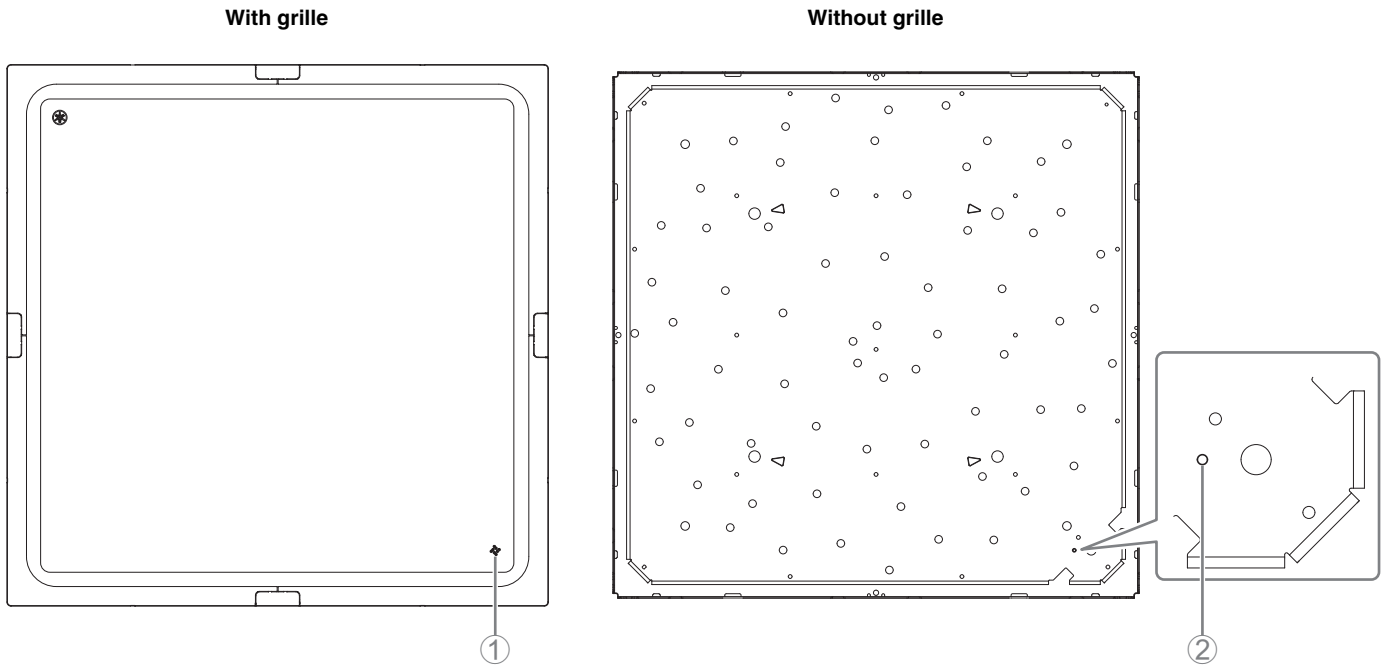
<https://uc.yamaha.com/support/>

Other Countries:

<https://download.yamaha.com/>

CONTROLS AND FUNCTIONS

Front panel



① Front panel indicator

Condition	Front panel indicator	Unit status
LAN cable plugged into Dante/PoE port	Lit green	Microphone on
LAN cable plugged into Dante/PoE port	Flashes green	Starting up
Identify icon in Web GUI clicked	Flashes white	Responding (to Identify function)
Updating firmware	Flashes white quickly	Firmware being updated
Updating firmware	(After flashing white quickly) Flashes green quickly	Firmware updated successfully
Muted	Lit red (Flashes every 2 seconds)	Microphone off
–	Flashes red	Error occurring
–	Flashes red quickly	Severe error occurring

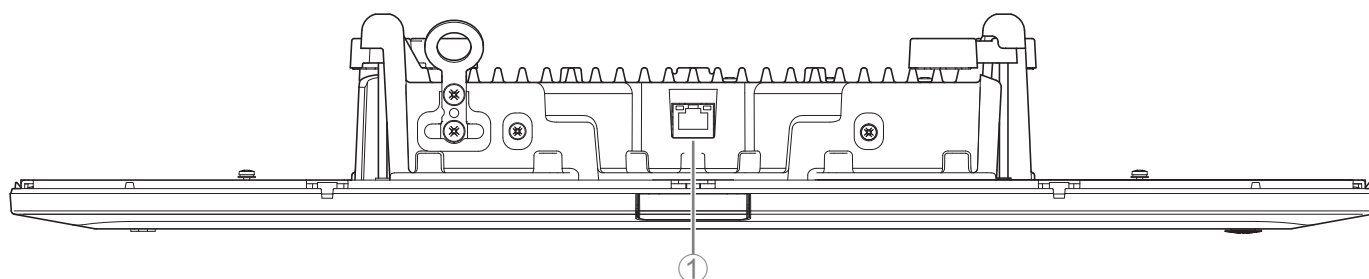
NOTE: Occurrences of errors and severe errors are recorded in the alert log. For details, refer to page 9.

② Reset button

Condition	Front panel indicator	Unit status
Reset button long-pressed for 4 seconds to less than 8 seconds, then released	Flashes blue twice per second (during long-pressing/resetting)	Network-related settings Waiting for resetting/Resetting
Reset button long-pressed for 8 seconds to less than 12 seconds, then released	Flashes blue three times per second (during long-pressing/resetting)	All settings Waiting for resetting/Resetting

NOTE: Use a fine-tipped object such as an ejector pin to press the reset button.

Side panel



① Network port indicators (Dante/PoE port)

Network port indicator	Unit status
Left indicator lit green	Link up
Left indicator flashes green	Transferring data
Left indicator unlit	Link down
Right indicator lit green	Operating on word clock of peripheral device (leader)
Right indicator flashes green	Acting as word-clock leader
Right indicator flashes orange	Word clock unlocked

- NOTICE:**
- When disconnecting the LAN cable from the Dante/PoE port, wait at least five seconds before reconnecting the cable. Otherwise, damage or malfunctions may result.
 - With a Dante network, do not use the EEE function* of the network switch. Although mutual power consumption settings are automatically adjusted between switches that support the EEE function, some switches do not perform that properly. As a result, the switch's EEE function may be enabled inappropriately in the Dante network, possibly degrading clock synchronization performance and interrupting audio. Therefore, please note the following.
 - When using managed switches, turn off the EEE function on all ports used for Dante. Do not use a switch that does not allow the EEE function to be turned off.
 - When using unmanaged switches, do not use switches that support the EEE function. In such switches, the EEE function cannot be turned off.
 - * EEE (Energy-Efficient Ethernet) function: Technology that reduces the power consumption of Ethernet devices during periods of low network traffic; also known as Green Ethernet or IEEE802.3az.

AVAILABLE UTILITY SOFTWARE

Starting up the Web GUI Device Manager

Use the Web GUI “RM-CG Device Manager” to check/change the settings of this unit.

IMPORTANT: Check/change the settings after the installation of this unit is finished. For details on installing this unit, refer to the RM-CG Installation Manual.

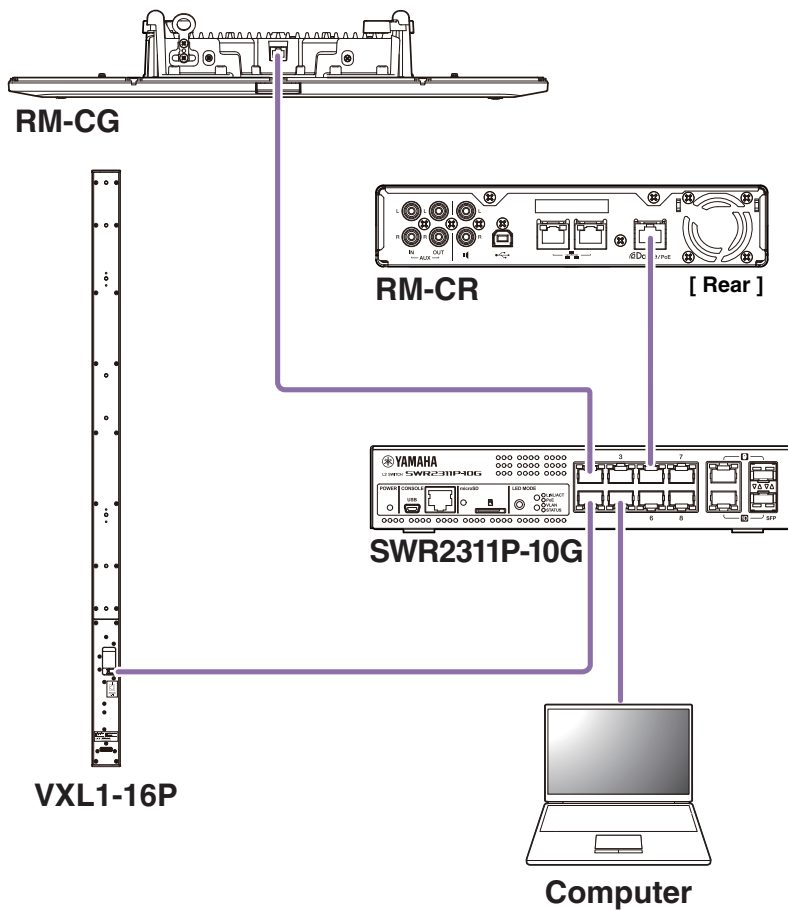
Prepare the following.

- Computer
- LAN cable

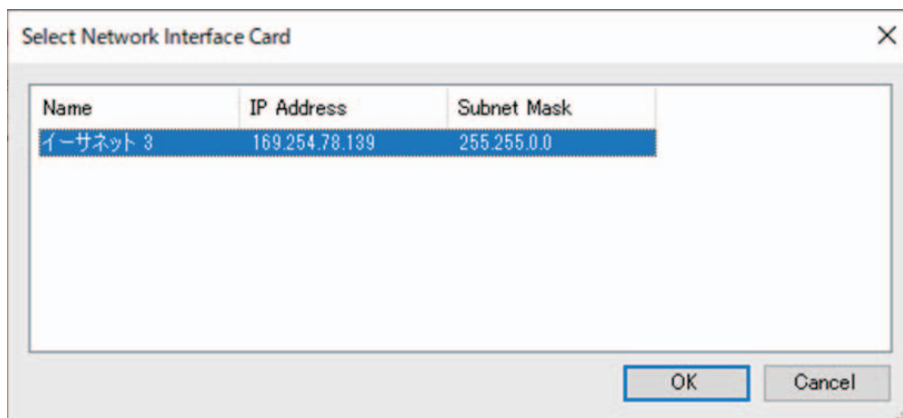
1. Download the application “RM Device Finder” from the Yamaha website (<http://download.yamaha.com/>), and then start it.

NOTE: For details on RM Device Finder, refer to the User Guide included with RM Device Finder.

2. Using a LAN cable, connect the computer to the network switch where this unit is connected.

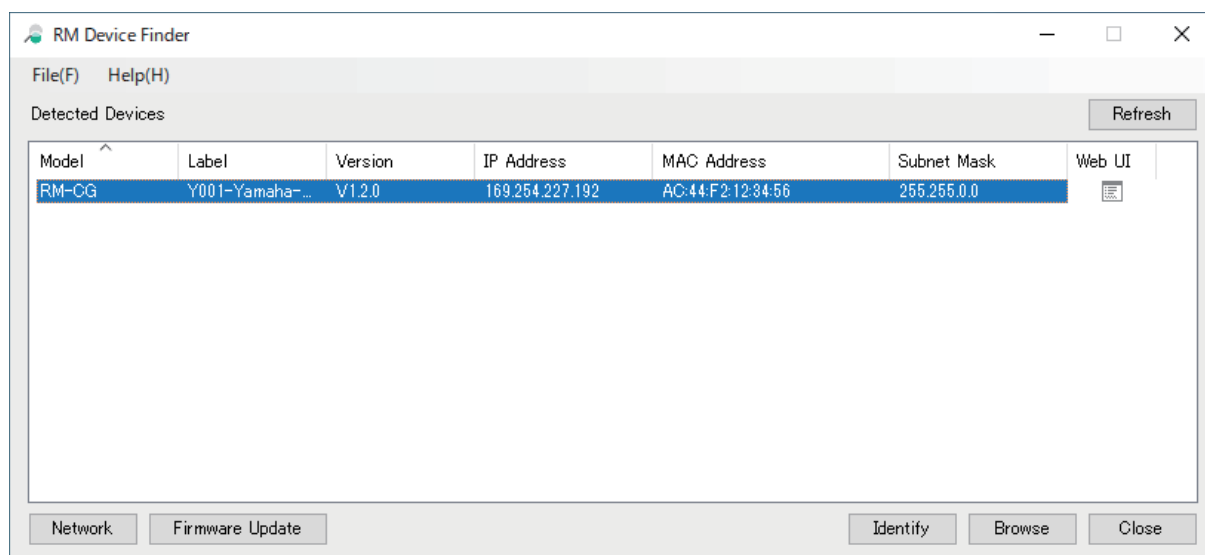


3. Select a network in the [Select Network Interface Card] window, and then click [OK].

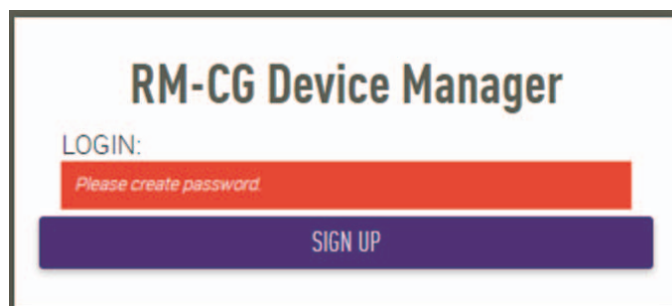


4. Double-click this unit in the [Detected Devices] window. Alternatively, select this unit, and then click the [Browse] button.

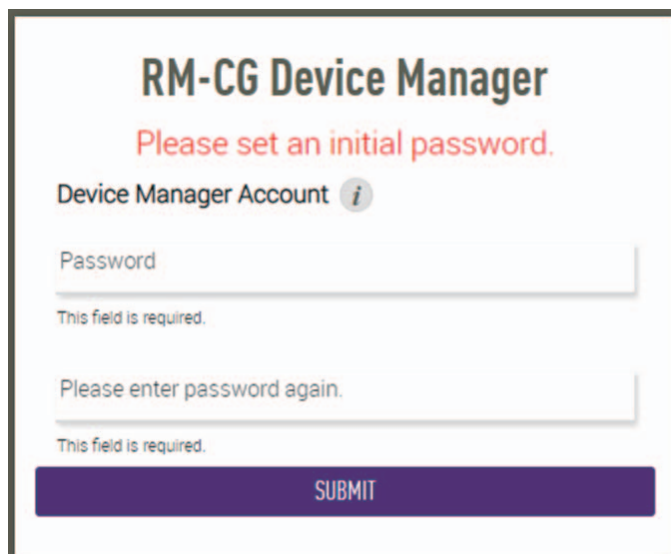
The first login window of RM-CG Device Manager appears.



5. Click the [SIGN UP] button in the first login window.



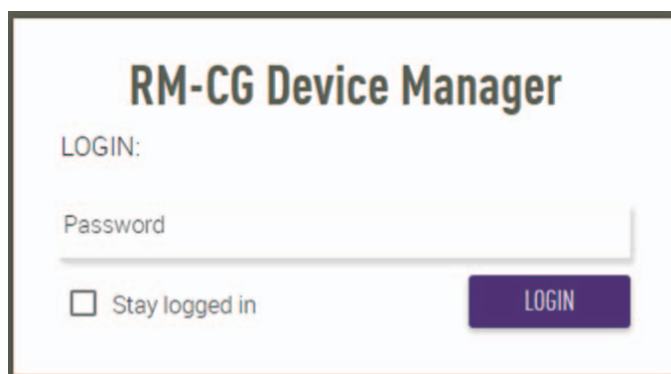
6. Specify a password in the password settings window, and then click the [SUBMIT] button.



The image shows a web form titled "RM-CG Device Manager" with the instruction "Please set an initial password." Below the title, it says "Device Manager Account" with an information icon. There are two password input fields. The first is labeled "Password" and has a "This field is required." message below it. The second is labeled "Please enter password again." and also has a "This field is required." message below it. At the bottom of the form is a purple "SUBMIT" button.

7. Type the password into the login window, and then click the [LOGIN] button.

The [HOME] window appears.



The image shows a web form titled "RM-CG Device Manager" with the label "LOGIN:". Below the title, it says "Password" and has a password input field. Below the input field is a checkbox labeled "Stay logged in". To the right of the checkbox is a purple "LOGIN" button.

This completes the startup.

NOTE: For details on using RM-CG Device Manager, refer to the separate RM-CR RM-CG RM-TT Web GUI Device Manager Operation Guide.

The latest software and manuals can be downloaded from the following website.

▼ Yamaha website (Downloads)

U.S.A. and Canada:

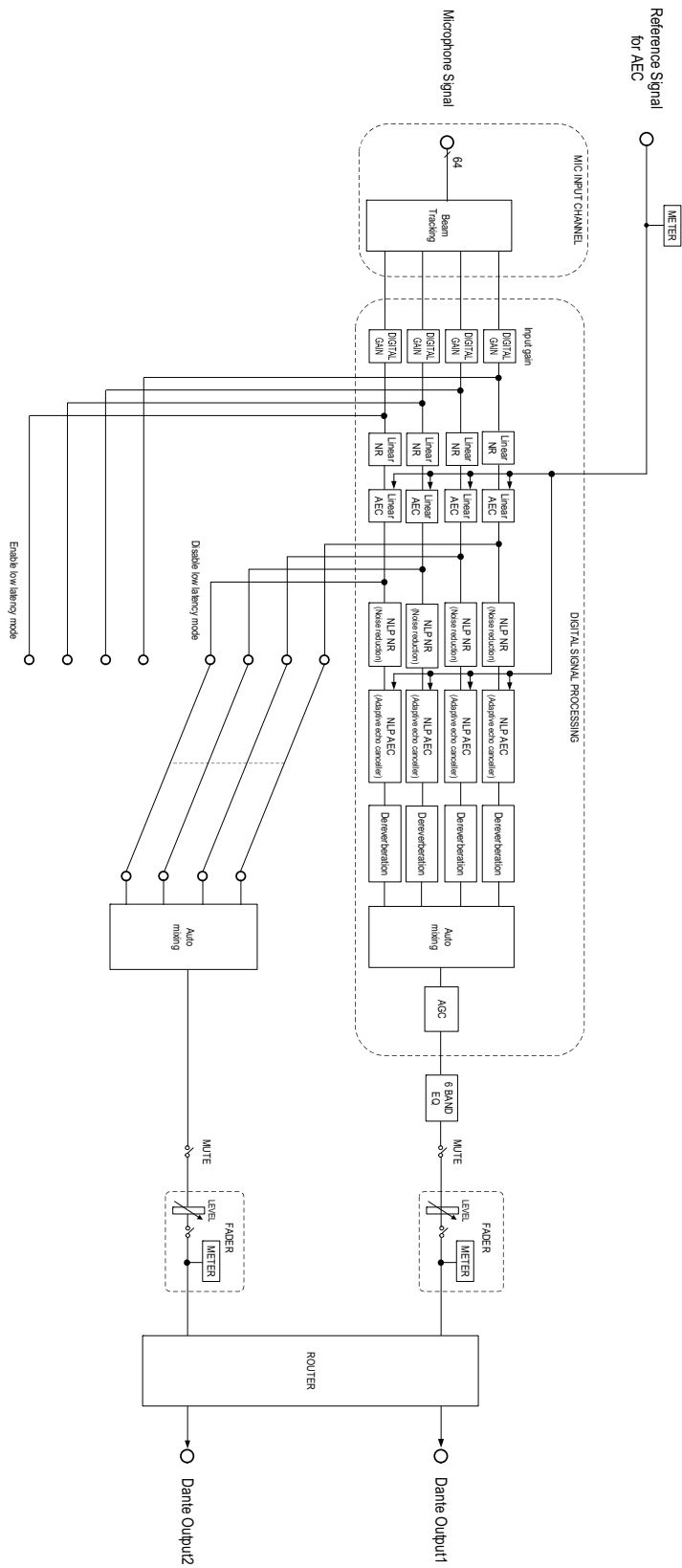
<https://uc.yamaha.com/support/>

Other Countries:

<https://download.yamaha.com/>

APPENDIX

Block diagram



Alert log list

This provides details on the main alert log messages contained in the log files. The log file can be downloaded via [TOOLS]→[Logs].

Display	Description	What to do
[0x010B0020] important mic CH* broken	Important mic CH* broken.	Please contact your Yamaha dealer.
[0x000a0000] Dante hardware error	Dante has not started up correctly.	Turn the power off, then turn the power on after waiting at least six seconds. If this does not solve the problem, please initialize the memory. Should this also fails, contact your Yamaha dealer.
[0x01070003] Firmware update failed, because of *	Failure of firmware update has occurred.	Check firmware file on the firmware update pages of Web GUI.
[0x01070004] Firmware update failed, because of internal error		Turn the power off, then turn the power on after waiting at least six seconds. If this does not solve the problem, please contact your Yamaha dealer.
[0x01050009] Web UI internal failure	Internal failure has occurred in Web GUI.	Turn the power off, then turn the power on after waiting at least six seconds. If this does not solve the problem, please initialize settings. Should this also fails, contact your Yamaha dealer.
[0x01010007] failed to start audio proc	The device audio has not started up correctly.	Turn the power off, then turn on after waiting at least six seconds. If this does not solve the problem, please initialize the memory. Should this also fails, contact your Yamaha dealer.
[0x00010000] System error	The device has not started up correctly.	
[0x00010001] Power unstable	The device is not supplying power normally.	Connect to a PoE compatible switch. If this does not solve the problem, please turn the power off, then turn on after waiting at least six seconds. Should this also fail, contact your Yamaha dealer.
[0x01060001] Syslog setting error	Failed to update syslog transfer servers.	Turn the power off, then turn the power on after waiting at least six seconds. If this does not solve the problem, please initialize settings.
[0x01060003] logging error	Failed to restart logging.	
[0x010B0044] Automatic audio tuning failed, because of internal error.	Automatic audio tuning has failed, because internal error has occurred.	Turn the power off, then turn the power on after waiting at least six seconds. Please try again. If this does not solve the problem, contact your Yamaha dealer.
[0x000a0001] Dante started in fail safe mode	Dante has started in failsafe mode.	Execute Failsafe Recovery using Audinate's firmware update tool.
[0x000a0002] Unable to configure Dante, because the Dante device is locked.	Dante is currently limited to control settings, because the device is locked.	Unlock device lock using Dante Controller or check Dante Domain Manager settings.
[0x010C0001] Resume data lost	The settings saved in internal memory has been lost.	Initialize the memory. If this dose not solve the problem, contact your Yamaha dealer.
[0x010C0002] Saving setting data failed	The device has not started up correctly.	Turn the power off, then turn the power on after waiting at least six seconds. If this does not solve the problem, please initialize the memory. Contact your Yamaha dealer if problem still exists.

Display	Description	What to do
[0x010D0001] CPU temperature too high	CPU temperature has been too high.	Turn the power off, let the CPU cool down. Turn the power on again. If the temperature is still too high, check the installation environment and whether dirt or a foreign object could have clogged the cooling fan, and clean the fan if necessary.
[0x00070003] Too many devices on the network	Too many devices are connected to the network.	Reduce the number of devices connected to the network.
[0x01100010] Configuration import failed, because of file download failure (*)	Configuration import has failed, because of file download failure.	Check network, server address settings, existence of configuration file at server.
[0x01100011] Configuration import failed, because of file format error (*)	Configuration import has failed, because of file format error.	Check contents and format of configuration file.
[0x01100012] Configuration import transfer failed, because of wrong filename or peripheral disconnected (*)	Configuration import transfer has failed, because of wrong filename or peripheral disconnected.	Check file name and connection status of peripheral device.
[0x01100013] Configuration import failed, because the system is busy (*)	Configuration import has failed, because of system busy.	Check device status and try again. If it is still not working, please update firmware or reset all of the settings.
[0x01100014] Configuration import failed, because of internal error (*)	Configuration import has failed, because of internal error.	Try again. If its not working again, please update firmware or reset all of settings.
[0x01090001] Schedule data lost	The schedule data saved in internal memory has been lost.	If this occurs often, contact your Yamaha dealer.
[0x01080001] Peripheral communication error	A peripheral device within the system was not found on the network.	Power-on all peripheral devices in the system, and make sure that they are correctly connected to the network.
[0x01010005] Factory reset failed	Factory reset has failed.	-
[0x01010006] * reset failed	Partial reset has failed.	
[0x01050002] Web UI login failure by *	Web GUI login failure has occurred by (IP address).	Check password.
[0x01090004] Scheduling event failed, because of *	Scheduling event has failed.	Check the number of scheduled events.
[0x010B0040] Audio processing restarted	Audio processing failure has occurred, then restarted.	If this occurs often, contact your Yamaha dealer.
[0x01010013] SNMP error	SNMP operation has failed to start.	Turn the device off, then on again after waiting at least six seconds. If this does not solve the problem, initialize the memory. Contact your Yamaha dealer if the problem persists.
[0x010f0004] IEEE802.1X restart failed	Failed to start the IEEE802.1X operation.	Turn the unit off, then on again after waiting at least six seconds. Contact your Yamaha dealer if the problem persists.

EXPLANATIONS

Specifying the tracking area

This provides details on specifying the tracking area of RM-CG.

What is the tracking area?

The tracking area is the sound pickup area covered by the microphone beam (microphone directivity). The microphone beam detects and tracks the direction of the speaker's voice.

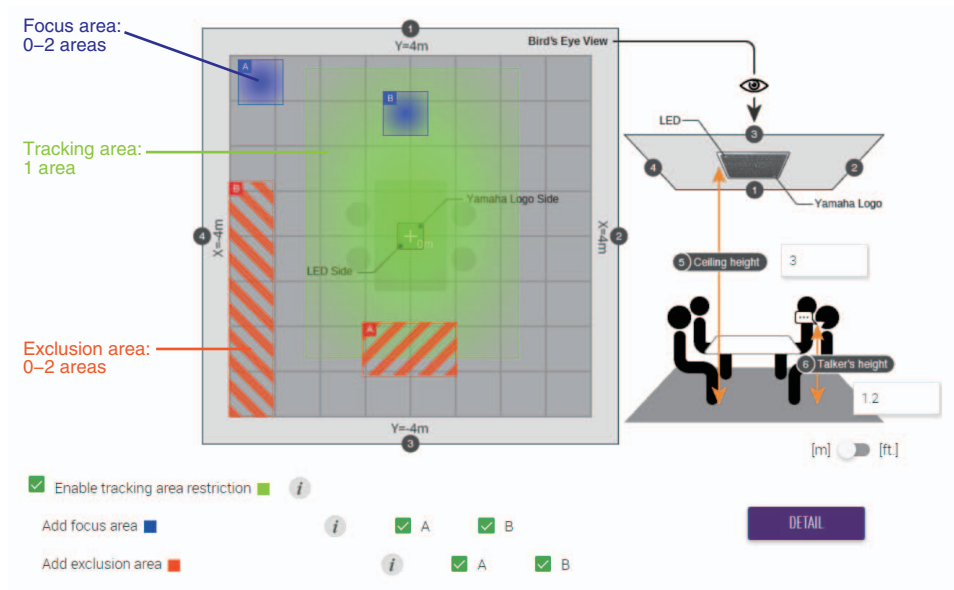
Purpose of specifying the tracking area

By specifying the tracking area, the following can be achieved.

- Record sound only from the conference space
- Prevent overlapping tracking areas when there are multiple RM-CGs
- Make the speaker's voice clearer
- Prevent the speaker's sentences from being cut off
- Reduce noise, such as from projectors and air conditioners, in a specific area
- Reduce the likelihood of reverberation

Tracking area settings

[AUDIO]→[Processing]→[MICROPHONE SETTINGS] in the Web GUI "RM-CG Device Manager"



Tracking area elements

The tracking area can be specified to comprise the following areas.

- Tracking area
 - Specify the area where the speakers will be, such as around a conference table.
 - The size and location of the area can be set within ± 4 m from the center of a square.
- Focus area
 - In order to capture clearer sound, focus on specific areas such as the host or presenter.
 - Up to two areas can be specified separately from the tracking area.
- Exclusion area
 - Sound will not be picked up from specified areas with noise sources such as projectors or air conditioners.
 - Up to two areas can be specified.
 - If the exclusion area overlaps the tracking or focus areas, it is given priority.

Updating the firmware

There are multiple ways to update the firmware.

Using RM Device Finder

RM Device Finder is application software for detecting and controlling ADECIA devices on the network. It can also be used to update the firmware of each device.

For operating procedures, refer to the RM Device Finder User Guide included with RM Device Finder.

Using the Web GUI “RM-CG Device Manager”

Firmware can be updated via [TOOLS]→[Update]→[FIRMWARE UPDATE] in the Web GUI “RM-CG Device Manager”.

For operating procedures, refer to the RM-CR RM-CG RM-TT Web GUI Device Manager Operation Guide.

Using the Web GUI “RM-CR Device Manager”

By using the Web GUI “RM-CR Device Manager”, it is possible to update the firmware of peripheral devices, such as RM-CG and RM-TT, at the same time as the firmware of RM-CR.

Firmware can be updated via [TOOLS]→[Update]→[FIRMWARE UPDATE] in the Web GUI “RM-CR Device Manager”.

For operating procedures, refer to the RM-CR RM-CG RM-TT Web GUI Device Manager Operation Guide.

The latest utility software, firmware files and manuals can be downloaded from the following website.

▼ Yamaha website (Downloads)

U.S.A. and Canada:

<https://uc.yamaha.com/support/>

Other Countries:

<https://download.yamaha.com/>

Initializing

There are two ways to initialize an RM-CG: using the reset button on the unit and using the Web GUI “RM-CG Device Manager”.

For details on using the reset button on the unit, refer to “CONTROLS AND FUNCTIONS” in this manual.

Alternatively, it can be initialized via [TOOLS]→[Configuration]→[RESET DEFAULTS] in the Web GUI “RM-CG Device Manager”. For operating procedures, refer to the RM-CR RM-CG RM-TT Web GUI Device Manager Operation Guide.

MAIN SPECIFICATION

General

Description		Ceiling Microphone
Color		Black, White
Dimensions (W × D × H)		W560 mm × D560 mm × H90 mm (including protrusions/microphone panel: H22 mm)
Weight		5.6 kg (including grille)
Power requirements		PoE (IEEE802.3af), DC 48 V
Maximum Power Consumption		7.2 W
In Operation	Temperature	0 °C – 40 °C
	Humidity	30% – 90% (No condensation)
Storage	Temperature	–20 °C – 60 °C
	Humidity	20% – 90% (No condensation)
Indicator		<ul style="list-style-type: none"> • Front (Mute/Unmute & Status) • Network port
Mount		<ul style="list-style-type: none"> • Ceiling Mount (*can't replace a grid ceiling panel.) • Wire mount • VESA mount
Maximum number of connections to RM-CR		14 (maximum 16 when not using VXL1-16P)
Dust Protection		IP5X for dust protection (with Terminal cover)
Plenum Rating		UL2043 (with Terminal cover)

Network

Dante/PoE port	Dante, Remote Control, Web GUI, PoE Cable Requirements: CAT5e or higher, STP
-----------------------	---

Audio

Frequency response		160 Hz – 16 kHz (–10 dB)
Sampling Rate		48 kHz
Bit depth		24 bit
Latency		Default <ul style="list-style-type: none"> • 58 [ms] (including signal processing) Low latency mode <ul style="list-style-type: none"> • 22 [ms] (including signal processing)
Audio I/O	Dante	1in × 2out In1=AEC reference signal Out1=output of beam mix Out2= output of beam mix (simple processed)
Maximum input level of SPL (0 dBFS)		117.8 dB SPL
Self Noise		–0.8 dBA SPL
SNR (Ref. 94 dB SPL at 1 kHz)		94.8 dBA
Sensitivity		–23.8 dBFS/Pa
Dynamic Range		118.6 dBA
Signal Processing		<ul style="list-style-type: none"> • Multi beam tracking • Adaptive echo canceler, Noise reduction, Dereverberation, Auto mixer, Auto gain control, Parametric equalizer, Output gain