



SPM-K30

WALL MOUNT BRACKET

SUPPORT MURAL

デジタルサウンドプロジェクター壁掛け金具

Installation Manual

Manuel d'installation

Installationsanleitung

Instllationsanvisningar

Manuale d'installazione

Manual de instalación

Installatiehandleiding

Руководство по установке

安装说明书

설치 설명서

取付説明書

English

Français

Deutsch

Svenska

Italiano

Español

Nederlands

Русский

中文

한국어

日本語

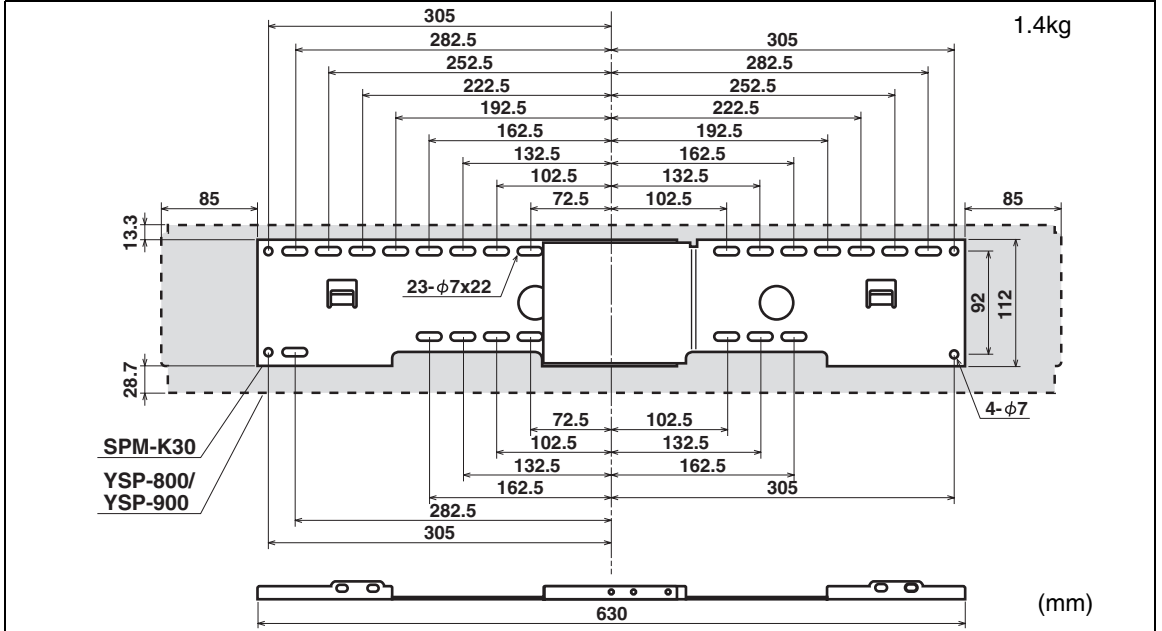
DIMENSIONS
DIMENSIONS
ABMESSUNGEN
MATTSKISSER
DIMENSIONI
DIMENSIONES

AFMETINGEN
Габариты
各个部分的尺寸
크기
各部分の寸法

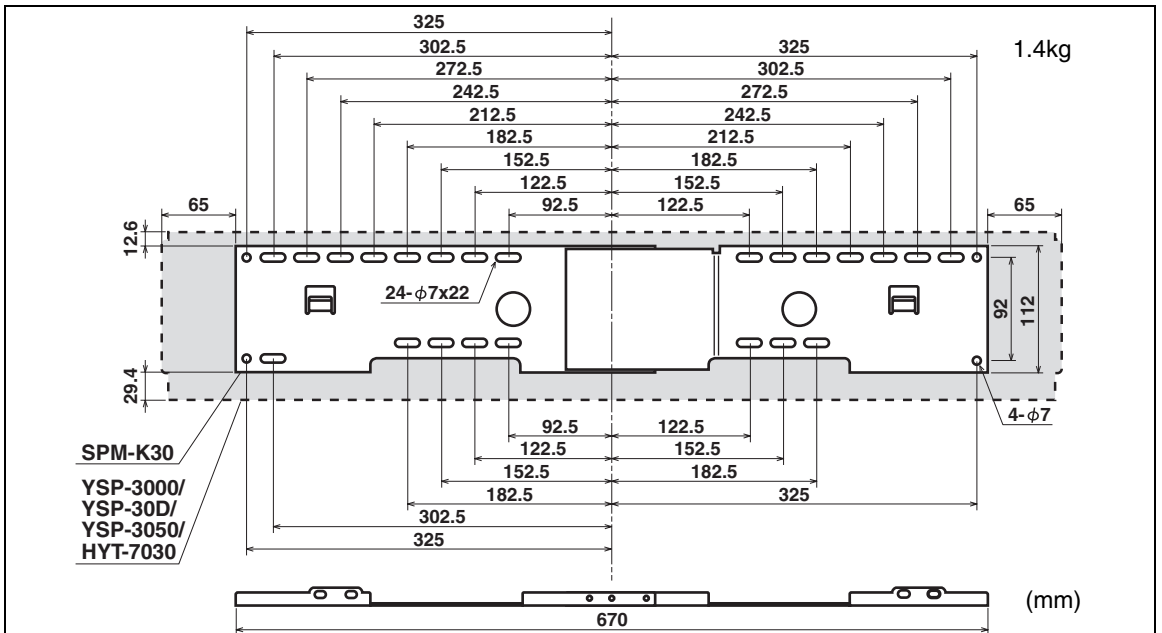
Large wall mount bracket
Grand support mural
Große Wandhalterung
Stort väggmonteringsfäste
Staffa di installazione a muro grande
Soporte de montaje en pared grande

Grote wandbevestigingsbeugel
Большой кронштейн настенного крепления
挂壁托架 (大)
대형 벽 마운트 브라켓
壁掛け金具 (大)

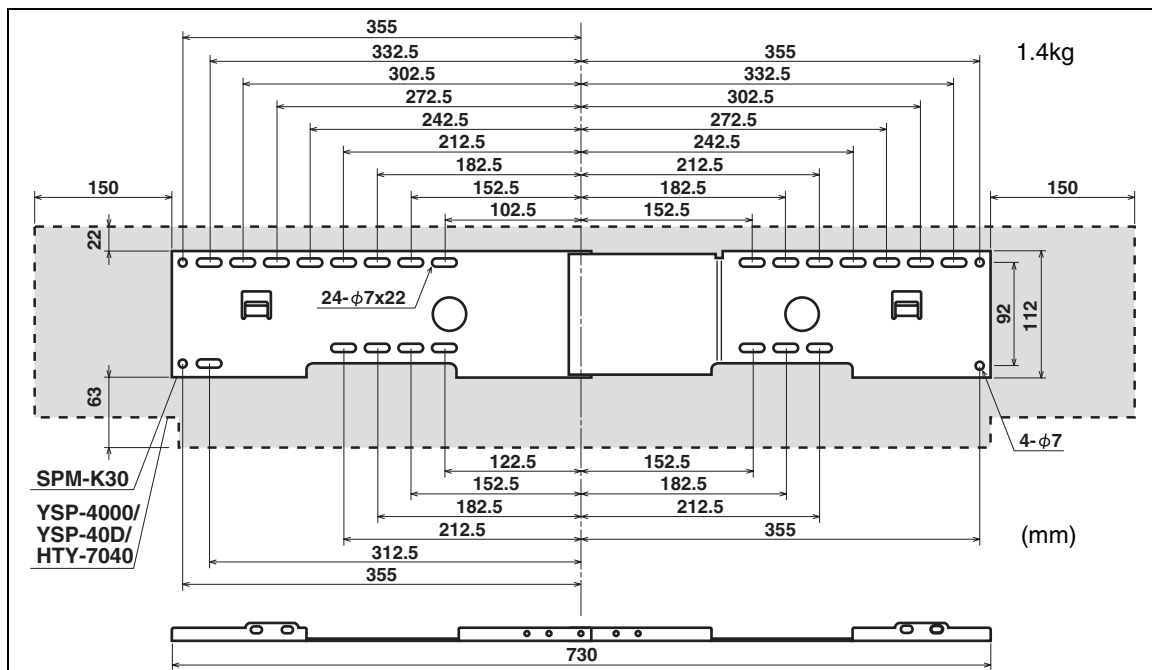
■ YSP-800/YSP-900



■ YSP-3000/YSP-30D/YSP-3050/HTY-7030



■ YSP-4000/YSP-40D/HTY-7040



Small wall mount bracket

Petit support mural

Kleine Wandhalterung

Litet väggmonteringsfäste

Staffa di installazione a muro piccola

Soporte de montaje en pared pequeño

Kleine wandbevestigingsbeugel

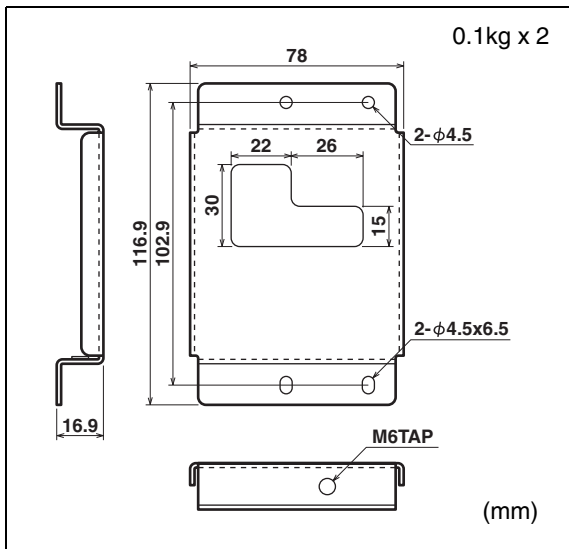
Малые кронштейны настенного крепления

挂壁托架 (小)

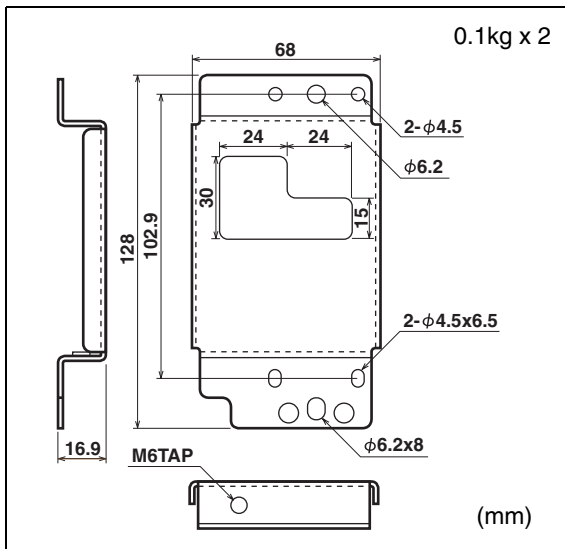
소형 벽 마운트 브라켓

壁掛け金具 (小)

■ A



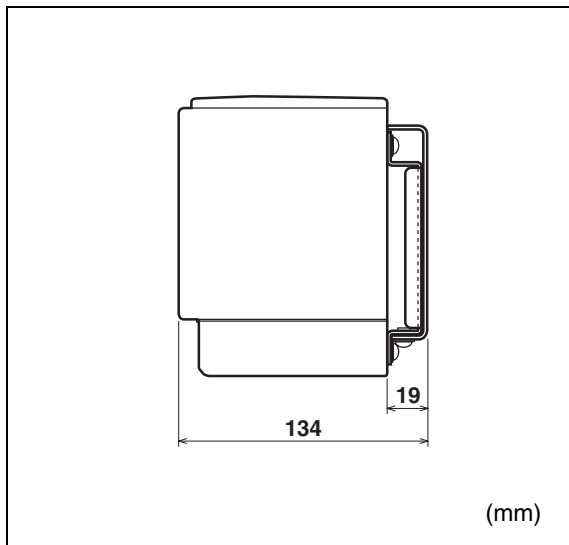
■ B



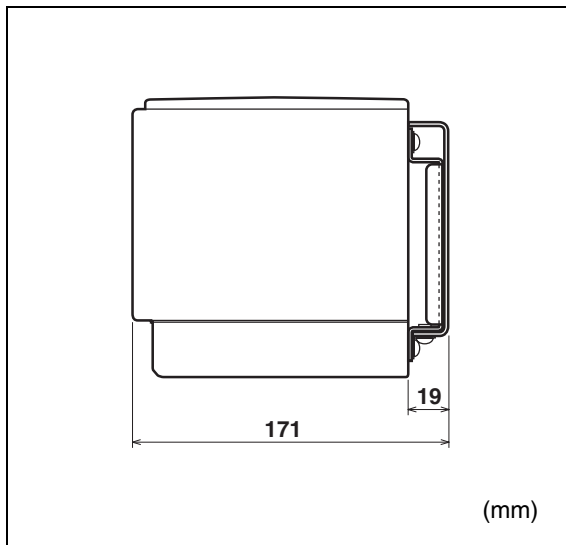
Unit with bracket
Le système avec son support
Einheit mit Halterung
Ljudprojektorn med fästet
Unità con staffa
Unidad con ménsula

Toestel met de beugel
Аппарат с кронштейном
悬挂时尺寸
브라켓이 있는 기기
取付時の寸法

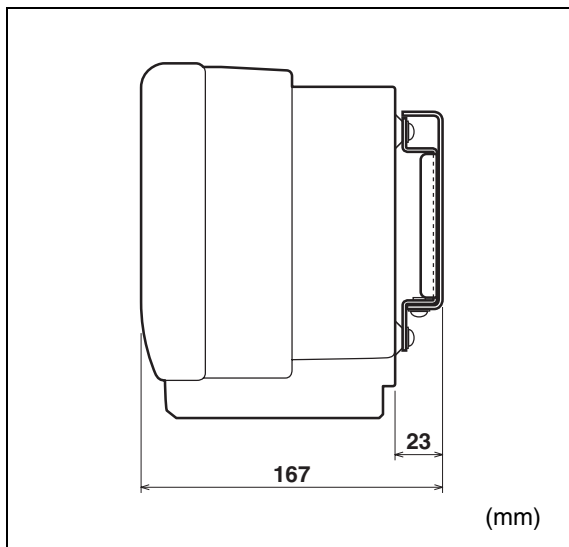
■ YSP-800/YSP-900



■ YSP-3000/YSP-30D/YSP-3050/HTY-7030



■ YSP-4000/YSP-40D/HTY-7040



WALL MOUNT BRACKET

SPM-K30

Installation Manual

Thank you very much for purchasing the Wall Mount Bracket SPM-K30. Be sure to read this manual thoroughly before using this bracket. After you have read this manual, retain it for future reference.

When installing the Digital Sound Projector using this bracket, all installation work must be performed by a qualified contractor or dealer personnel. The customer must never attempt to perform this installation work. Improper or inadequate installation could cause the Digital Sound Projector to fall, resulting in personal injury.

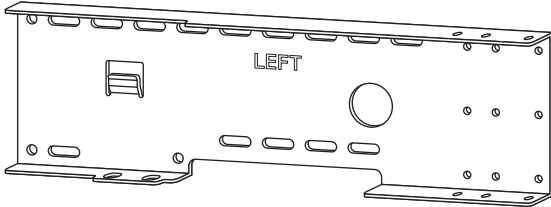
SAFETY INSTRUCTIONS

- **Always follow the instructions set forth in this manual when installing the Digital Sound Projector using this bracket.**
Improper or inadequate installation could cause the Digital Sound Projector to fall, resulting in personal injury.
- **The installation must be secure enough to bear the weight of the Digital Sound Projector, the wall bracket and other hardware indefinitely, and must also be secure enough to withstand vibrations.**
Improper or inadequate installation could cause the Digital Sound Projector to fall, resulting in personal injury.
- **To ensure safety, all screws must be tightened securely.**
Loose screws could cause the Digital Sound Projector to fall, resulting in personal injury.
- **Make sure to leave adequate ventilation space around the unit to allow heat generated by the Digital Sound Projector to dissipate.**
Failure to provide adequate space around the unit could cause the Digital Sound Projector to overheat internally, resulting in a fire.
- **Never hang from the Digital Sound Projector or the wall bracket.**
Hanging from the Digital Sound Projector or the wall bracket could cause the Digital Sound Projector or the wall bracket to fall, resulting in personal injury.
- **Once the Digital Sound Projector is installed, safety checks should be conducted on a regular basis.**
If the Digital Sound Projector is used over an extended period of time, screws can become loose and the installation can become weaker due to the passage of time, vibrations, etc.

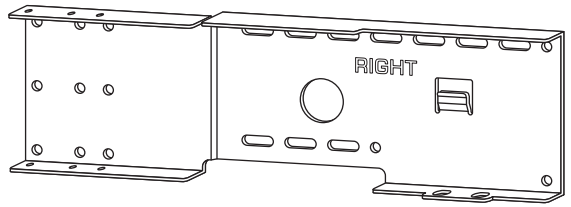
ACCESSORIES

Check that all of the following parts are included.

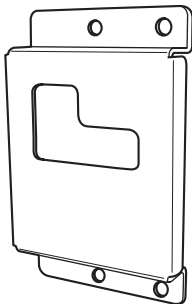
Large wall mount bracket (LEFT) (x1)



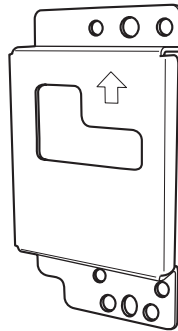
Large wall mount bracket (RIGHT) (x1)



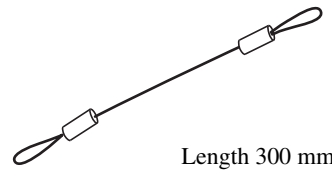
Small wall mount brackets
(Type A) (x2)



Small wall mount brackets
(Type B) (x2)



Safety wires (x2)



Length 300 mm

Projector mounting screws
(M6, 16 mm) (x6)



Projector mounting screws
(M4, 10 mm) (x10)



Washers (for M6, 16 mm of
outer circumference) (x4)



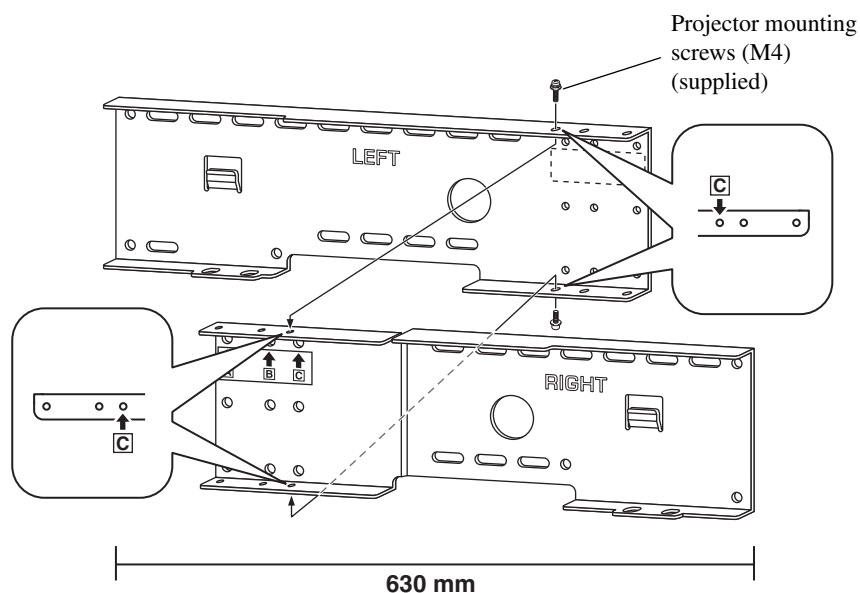
Note

Prepare at least six sets of commercially available tapping screws ($\phi 4$ mm, 25 mm or more in length) and washers in addition to the accessories shown above.

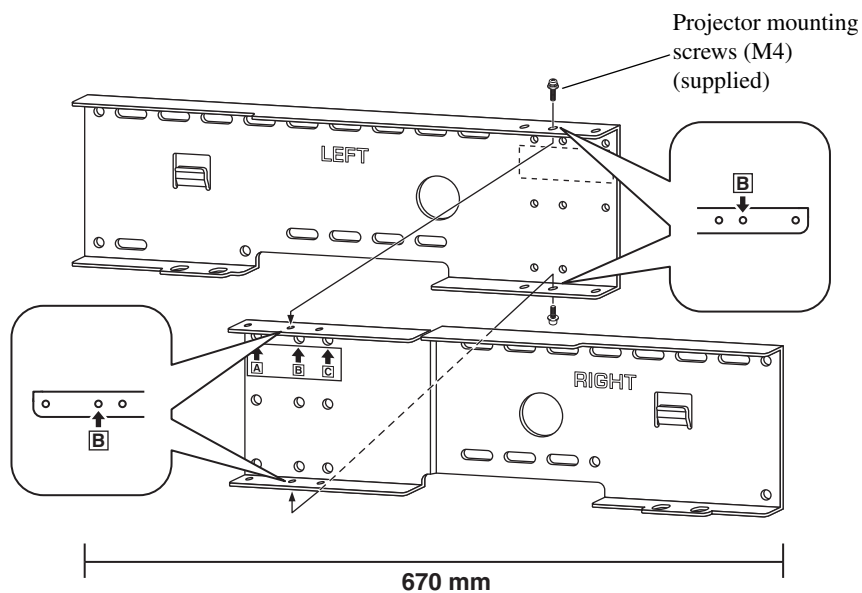
ASSEMBLING PROCEDURE

The dimensions after assembling the parts vary depending on the type of the Digital Sound Projector. Check the positions of the screw holes before assembling the parts.

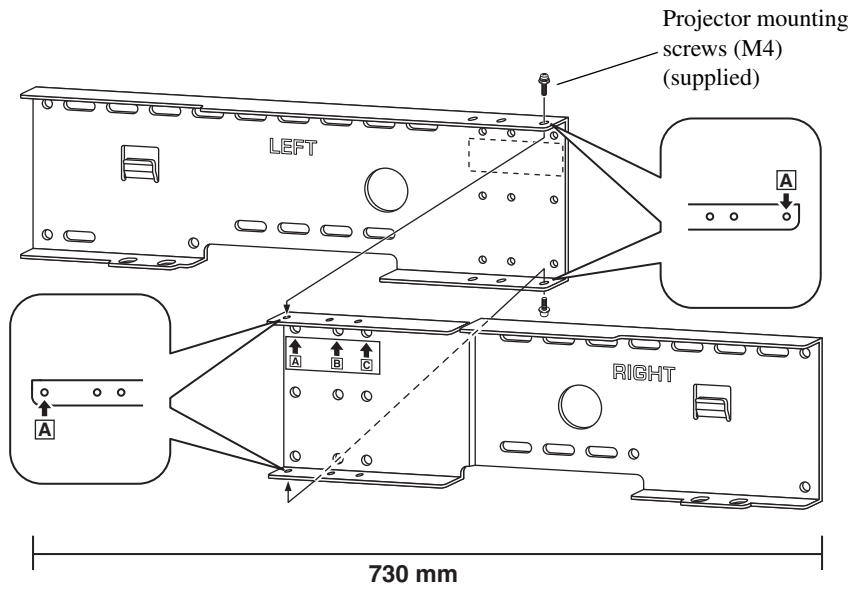
YSP-800, YSP-900



YSP-3000, YSP-30D, YSP-3050, HTY-7030



YSP-4000, YSP-40D, HTY-7040



INSTALLATION PROCEDURE

Make sure to leave adequate ventilation space around the unit and follow the instructions below. The illustrations used in each step are the examples of YSP-800 and YSP-900.

1 Attach the large wall mount bracket to the wall.

In order to secure the unit to the wall, you will need to attach the bracket to the wall first in a manner befitting the structure and quality of the wall.

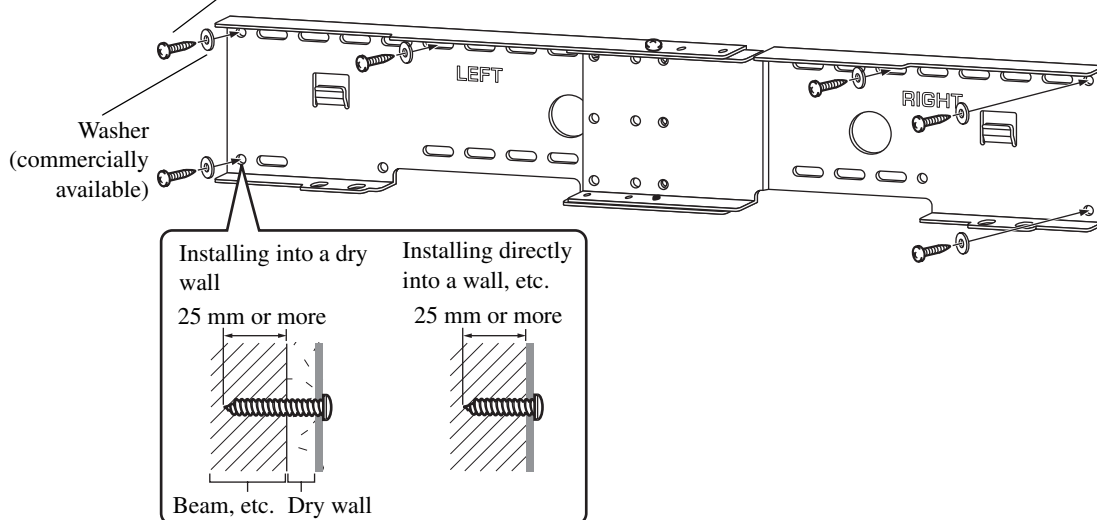
Choose a location where the wall can bear the weight of the whole unit.

Before installing the bracket, make sure of the size (see "DIMENSIONS" on the first page of this manual).

Installation example

4 mm Tapping Screw (commercially available)

In order to secure the unit to the wall, drive six (or more) tapping screws from the outside through the holes in the wall mount bracket.

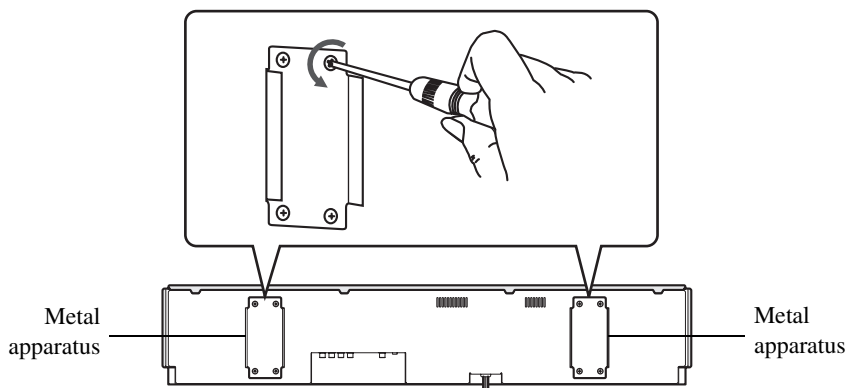


Note

Choose a secure wall or beam to fasten the screws. Do not install them into walls made of weak material that can easily come off, such as mortar or plywood wall panels. Loose screws could cause the projector to fall, resulting in personal injury.

2 Detach the metal apparatuses from the Digital Sound Projector. (Some models of YSP-800 only)

If the metal apparatuses are attached to the rear panel of your Digital Sound Projector, detach them from the rear left and right sides. If the metal apparatuses are not attached to the rear panel of your Digital Sound Projector, proceed to step 3.



3 Attach the small wall mount brackets to the Digital Sound Projector.

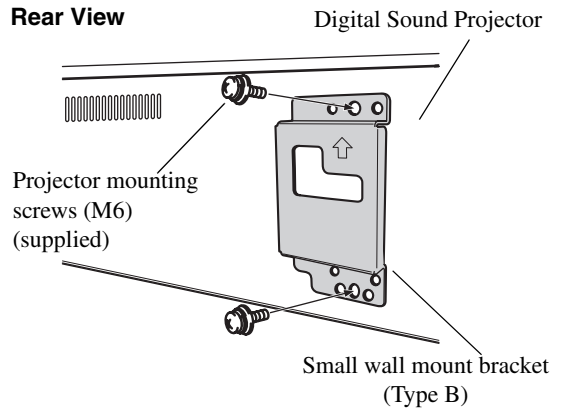
The small wall mount brackets vary depending on the type of the Digital Sound Projector. Refer to the following table for details on the type of the Digital Sound Projector and the compatible small wall mount brackets (Type A or B).

Use supplied projector mounting screws (M6 x 4 for YSP-4000, YSP-40D or HTY-7040 and M4 x 8 for other models) to securely attach the two small wall mount brackets to the rear left and right sides of the Digital Sound Projector.

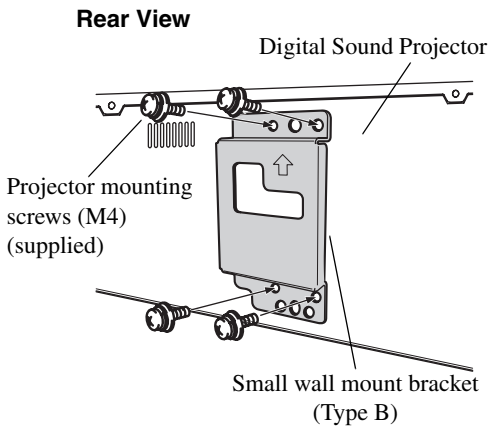
Digital Sound Projector	Small wall mount bracket
YSP-800 YSP-900	Type A
YSP-3000 YSP-30D YSP-3050 HTY-7030 YSP-4000 YSP-40D HTY-7040	Type B

Attach the brackets to the rear left and right sides of the Digital Sound Projector.

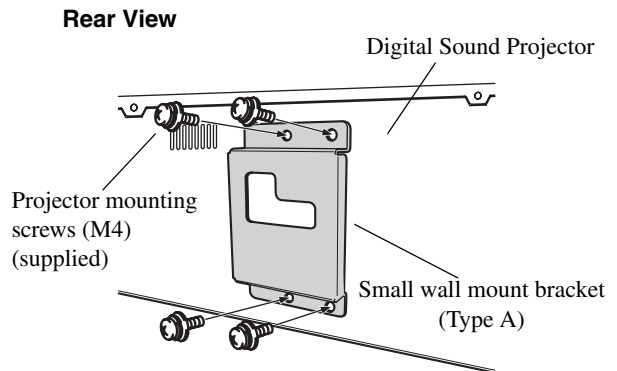
■ YSP-4000/YSP-40D/HTY-7040



■ YSP-3000/YSP-30D/HTY-7030/ YSP-3050



■ YSP-800/YSP-900

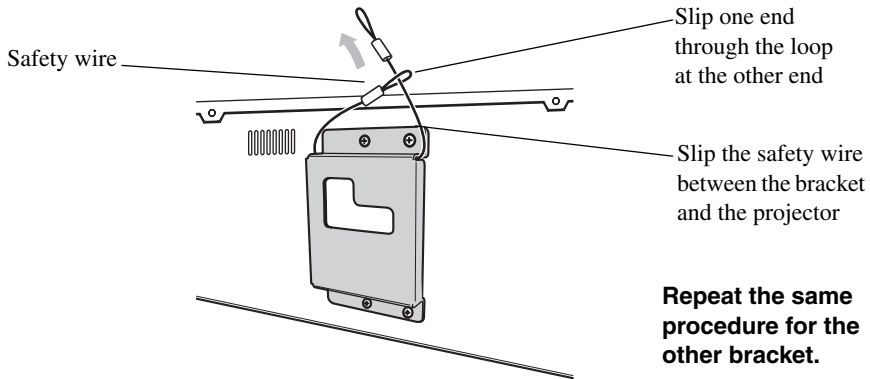


Notes

- In the unit of the model that the metal apparatuses are not attached, there are felt covers in the holes. In this case, tighten the screws to puncture the felt covers.
- If you tighten the screws on the slant, the screw threads in the projector might be broken. Be careful when using electric tools.

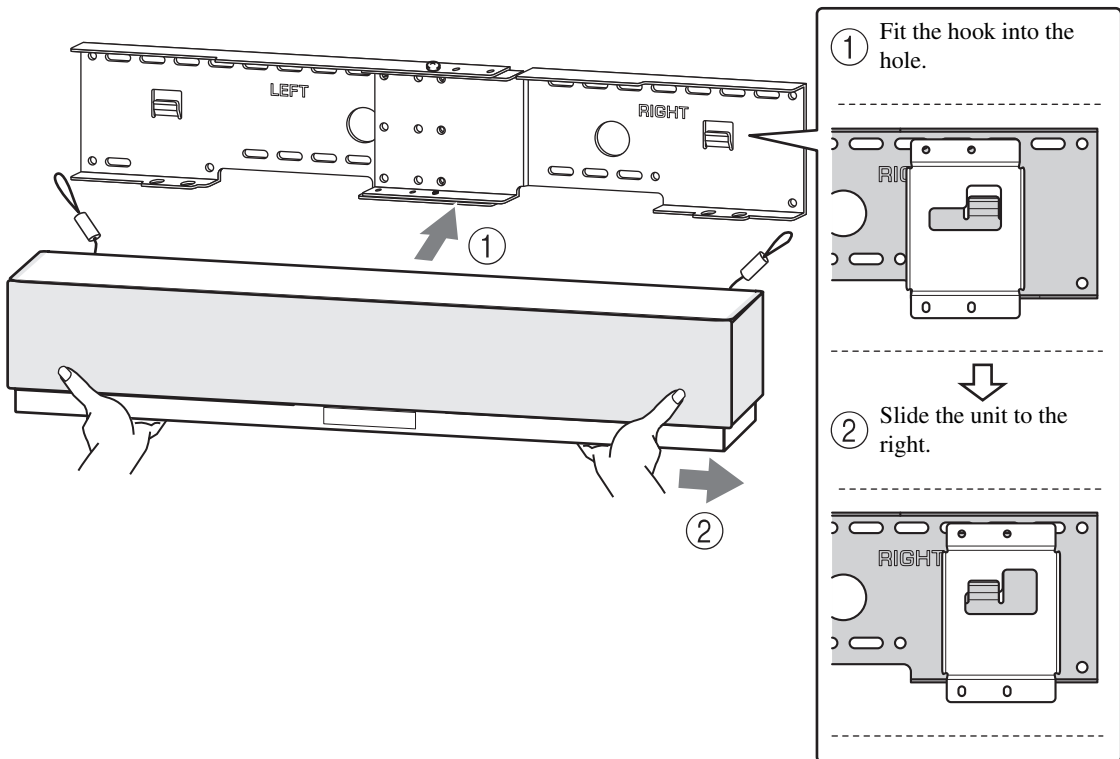
4 Attach the safety wire.

Attach the safety wire to the small wall mount bracket to prevent the Digital Sound Projector from falling.



5 Mount the Digital Sound Projector on the wall.

Fit the mounting guide hooks of the small wall mount brackets attached to the Digital Sound Projector into the holes on the left and right sides of the large wall mount bracket and then slide the unit to the right.



Note

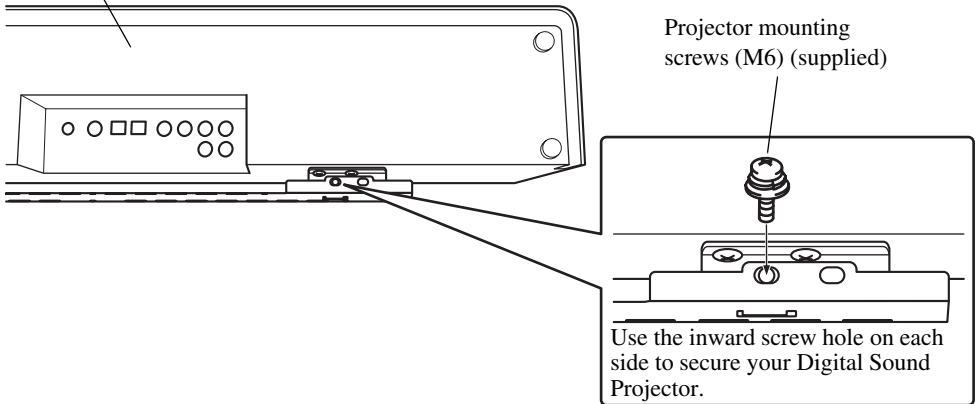
Hold the Digital Sound Projector tight with both hands when attaching or removing the Digital Sound Projector to or from the wall. Holding the Digital Sound Projector loosely could cause the Digital Sound Projector to fall, resulting in personal injury.

6 Secure the unit.

Align the holes in the large wall mount bracket with the holes in the bottom of the small wall mount brackets, and then use two of the supplied projector mounting screws (M6 x 16) to secure the unit. The positions of the screw holes vary depending on the type of the Digital Sound Projector. Refer to the following illustrations and check the correct positions of the screw holes used to secure your Digital Sound Projector.

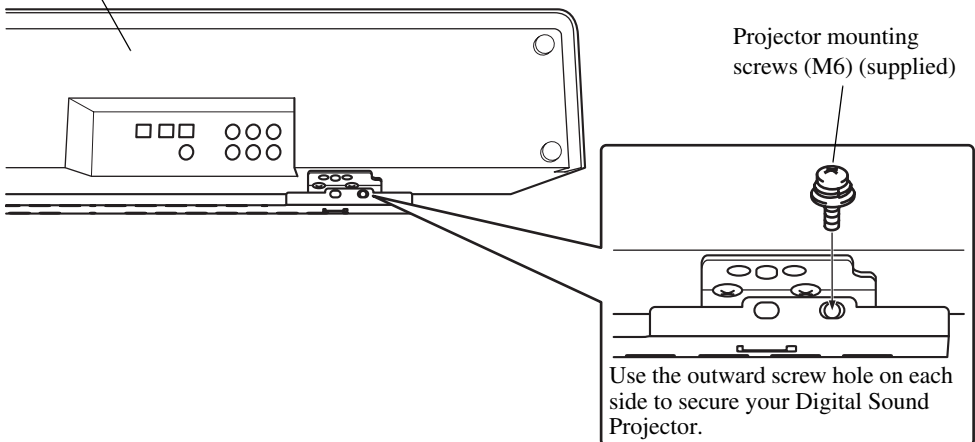
■ YSP-800/YSP-900

Digital Sound Projector **Bottom View**



■ YSP-3000/YSP-30D/YSP-3050/HTY-7030/ YSP-4000/YSP-40D/HTY-7040

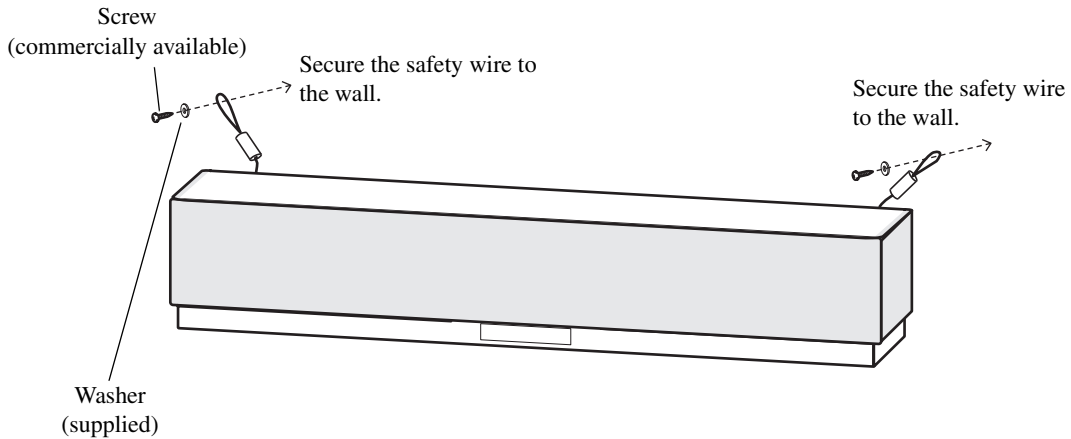
Digital Sound Projector **Bottom View**



7 Attach the safety wires to the wall.

Pass the screws (commercially available) through the loops of the safety wires and then tighten the screws to secure the safety wires to the wall.

Make sure that the screws are strong enough to bear the weight of the Digital Sound Projector and the brackets in case they fall.



Notes

- **Attach the safety wires tight.**
- **Keep the 2 other washers for future use.**

Limited Guarantee for European Economic Area (EEA) and Switzerland

Thank you for having chosen a Yamaha product. In the unlikely event that your Yamaha product needs guarantee service, please contact the dealer from whom it was purchased. If you experience any difficulty, please contact Yamaha representative office in your country. You can find full details on our website (www.yamaha-hifi.com/ or www.yamaha-uk.com/ for U.K. resident).

The product is guaranteed to be free from defects in workmanship or materials for a period of two years from the date of the original purchase. Yamaha undertakes, subject to the conditions listed below, to have the faulty product or any part(s) repaired, or replaced at Yamaha's discretion, without any charge for parts or labour. Yamaha reserves the right to replace a product with that of a similar kind and/or value and condition, where a model has been discontinued or is considered uneconomic to repair.

Conditions

1. The original invoice or sales receipt (showing date of purchase, product code and dealer's name) **MUST** accompany the defective product, along with a statement detailing the fault. In the absence of this clear proof of purchase, Yamaha reserves the right to refuse to provide free of charge service and the product may be returned at the customer's expense.
2. The product **MUST** have been purchased from an **AUTHORISED** Yamaha dealer within the European Economic Area (EEA) or Switzerland.
3. The product must not have been the subject of any modifications or alterations, unless authorised in writing by Yamaha.
4. The following are excluded from this guarantee:
 - a. Periodic maintenance and repair or replacement of parts due to normal wear and tear.
 - b. Damage resulting from:
 - (1) Repairs performed by the customer himself or by an unauthorised third party.
 - (2) Inadequate packaging or mishandling, when the product is in transit from the customer. Please note that it is the customer's responsibility to ensure the product is adequately packaged when returning the product for repair.
 - (3) Misuse, including but not limited to (a) failure to use the product for its normal purpose or in accordance with Yamaha's instructions on the proper use, maintenance and storage, and (b) installation or use of the product in a manner inconsistent with the technical or safety standards in force in the country where it is used.
 - (4) Accidents, lightning, water, fire, improper ventilation, battery leakage or any cause beyond Yamaha's control.
 - (5) Defects of the system into which this product is incorporated and/or incompatibility with third party products.
 - (6) Use of a product imported into the EEA and/or Switzerland, not by Yamaha, where that product does not conform to the technical or safety standards of the country of use and/or to the standard specification of a product sold by Yamaha in the EEA and/or Switzerland.
 - (7) Non AV (Audio Visual) related products.
(Products subject to "Yamaha AV Guarantee Statement" are defined in our website at www.yamaha-hifi.com/ or www.yamaha-uk.com/ for U.K. resident.)
5. Where the guarantee differs between the country of purchase and the country of use of the product, the guarantee of the country of use shall apply.
6. Yamaha may not be held responsible for any losses or damages, whether direct, consequential or otherwise, save for the repair or replacement of the product.
7. Please backup any custom settings or data, as Yamaha may not be held responsible for any alteration or loss to such settings or data.
8. This guarantee does not affect the consumer's statutory rights under applicable national laws in force or the consumer's rights against the dealer arising from their sales/purchase contract.

SUPPORT MURAL

SPM-K30

Manuel d'installation

Nous vous remercions d'avoir porté votre choix sur le support mural SPM-K30. Veuillez prendre soin de lire attentivement ce manuel avant d'installer ce support. Conservez-le pour référence ultérieure.

L'installation du Digital Sound Projector à l'aide de ce support doit être réalisée par un ouvrier compétent ou un représentant du revendeur. En aucun cas, vous ne devez tenter d'effectuer l'installation par vous-même. Une erreur d'installation peut provoquer la chute du Digital Sound Projector, entraînant des blessures.

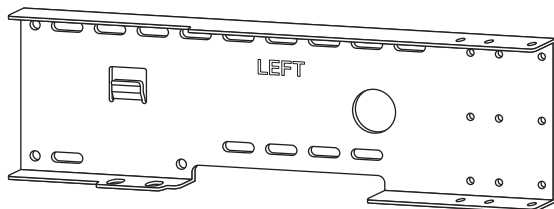
INSTRUCTIONS DE SÉCURITÉ

- **Respectez les instructions que contient ce manuel et qui concernent l'installation du Digital Sound Projector au moyen de ce support mural.**
Une erreur d'installation peut provoquer la chute du Digital Sound Projector, entraînant des blessures.
- **L'installation doit être en mesure de résister, sans limite de durée, au poids du Digital Sound Projector, du support mural et de la quincaillerie; elle doit également s'accommoder, le cas échéant, des vibrations.**
Une erreur d'installation peut provoquer la chute du Digital Sound Projector, entraînant des blessures.
- **Pour garantir la sécurité, toutes les vis doivent être soigneusement serrées.**
Un défaut de serrage peut provoquer la chute du Digital Sound Projector, entraînant des blessures.
- **Veillez à ménager un espace suffisant autour du Digital Sound Projector pour que la chaleur qu'il dégage puisse se dissiper.**
Faute de ménager un espace suffisant autour du Digital Sound Projector, il pourrait surchauffer, ce qui est susceptible de provoquer un incendie.
- **Ne vous suspendez pas au Digital Sound Projector, ni au support mural.**
En vous suspendant au Digital Sound Projector ou au support, vous pouvez provoquer la chute du Digital Sound Projector ou du support, entraînant des blessures.
- **Après installation du Digital Sound Projector, des vérifications de sécurité doivent être effectuées périodiquement.**
Lorsque du Digital Sound Projector est utilisé pendant une période prolongée, les vis peuvent se desserrer, en raison de vibrations, etc., rendant l'installation moins sûre.

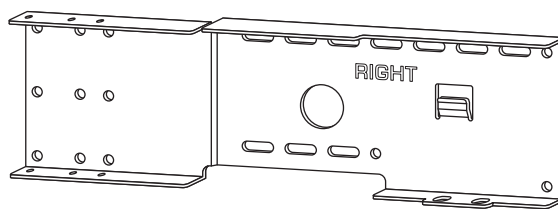
ACCESSOIRES

Assurez-vous que les pièces suivantes font partie de la fourniture.

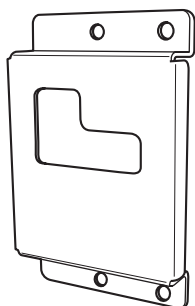
Grand support mural (GAUCHE) (x1)



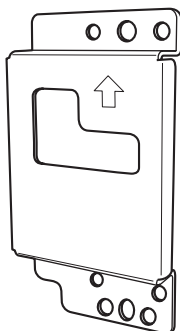
Grand support mural (DROIT) (x1)



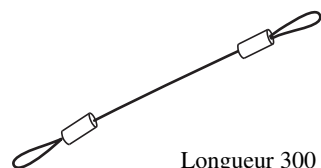
Petits supports muraux
(Type A) (x2)



Petits supports muraux
(Type B) (x2)



Câbles de sécurité (x2)



Longueur 300 mm

Vis de fixation du système
acoustique (M6, 16 mm) (x6)



Vis de fixation du système
acoustique (M4, 10 mm) (x10)



Rondelles (M6, 16 mm de
circonférence externe) (x4)



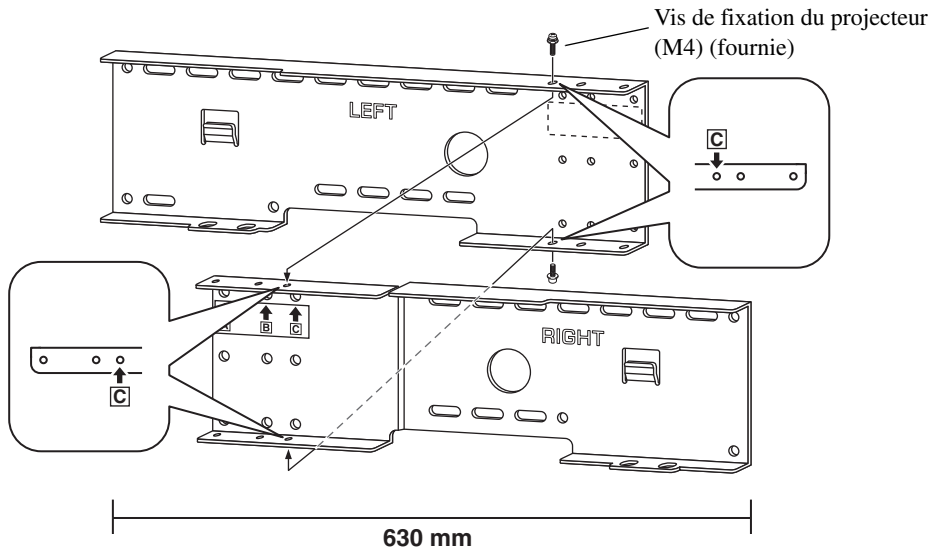
Remarque

Procurez-vous au moins six jeux de vis du commerce (ϕ 4 mm, 25 mm ou plus de longueur) et de rondelles, en plus des accessoires indiqués ci-dessus.

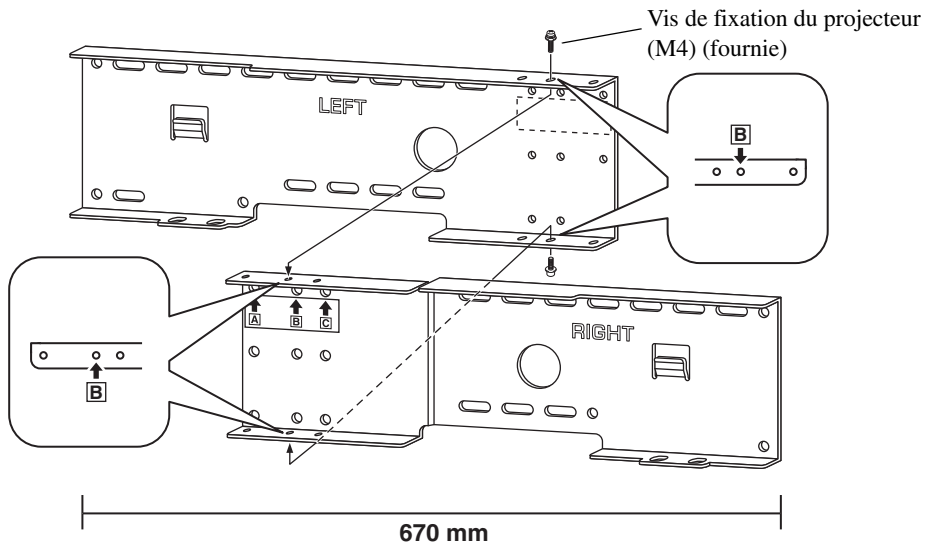
ASSEMBLAGE

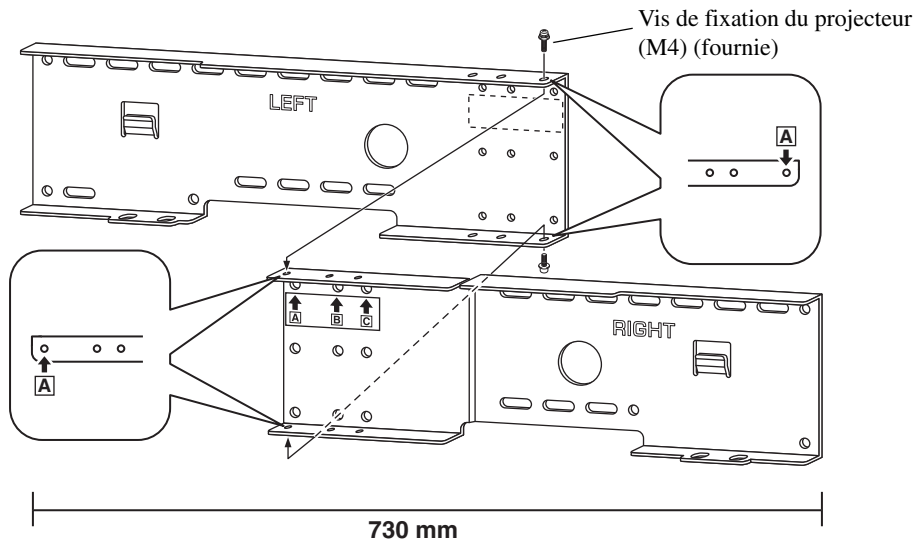
Les dimensions après l'assemblage des pièces varient selon le type de Digital Sound Projector. Vérifiez les positions des orifices des vis avant l'assemblage des pièces.

YSP-800, YSP-900



YSP-3000, YSP-30D, YSP-3050, HTY-7030



YSP-4000, YSP-40D, HTY-7040

MÉTHODE D'INSTALLATION

Veillez à ménager un espace suffisant autour du système pour permettre sa ventilation, et respectez les instructions suivantes. Les illustrations utilisées à chaque étape prennent pour exemples les YSP-800 et YSP-900.

1 Fixez le grand support au mur.

De façon que le système puisse être fixé au mur, il vous faut tout d'abord poser le support en tenant compte de la structure et de la qualité du mur.

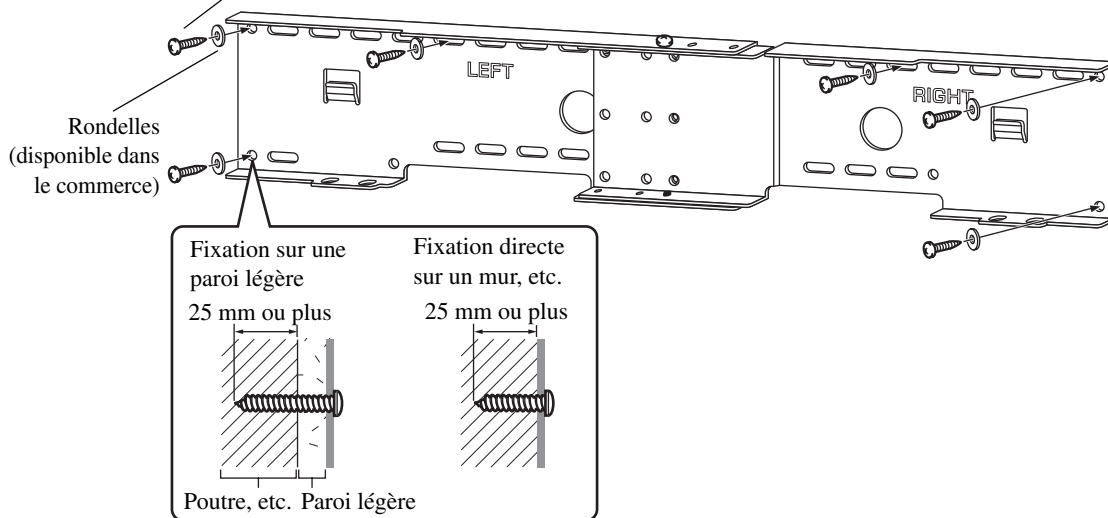
Choisissez un emplacement dans le mur capable de supporter le poids de l'appareil complet.

Avant de fixer le support, vérifiez la taille (voir "DIMENSIONS" à la première page de ce manuel).

Exemple d'installation

Vis taraudeuse de 4 mm (disponible dans le commerce)

Pour fixer l'appareil au mur, vissez quatre vis taraudeuses ou plus de l'extérieur par les orifices pratiqués dans le support mural.

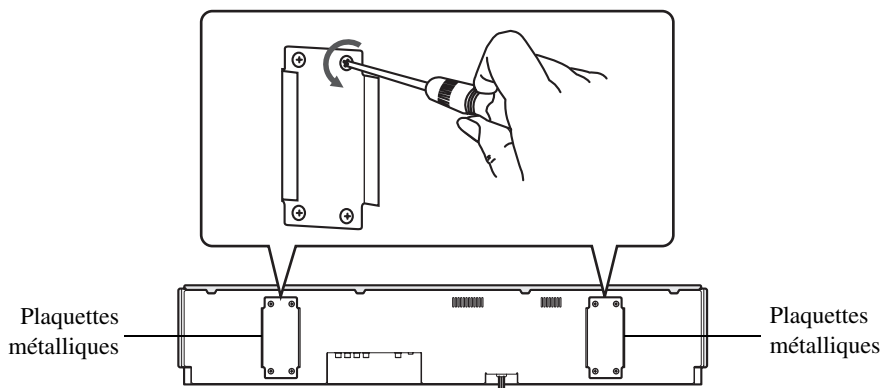


Remarque

Choisissez un mur résistant ou une poutre pour fixer les vis. Ne pas les fixer dans des parois en matériaux légers pouvant facilement rompre, par exemple une paroi en plâtre ou en contreplaqué. Un défaut de serrage peut provoquer la chute du système, entraînant des blessures.

2 Détachez les plaquettes métalliques du Digital Sound Projector. (Certains modèles YSP-800 seulement)

Si les plaquettes métalliques sont fixées à l'arrière du Digital Sound Projector, détachez-les des côtés arrière gauche et droit. Si elles ne sont pas fixées au panneau arrière de votre Digital Sound Projector, passez à l'étape 3.



3 Fixez les petits supports muraux au Digital Sound Projector.

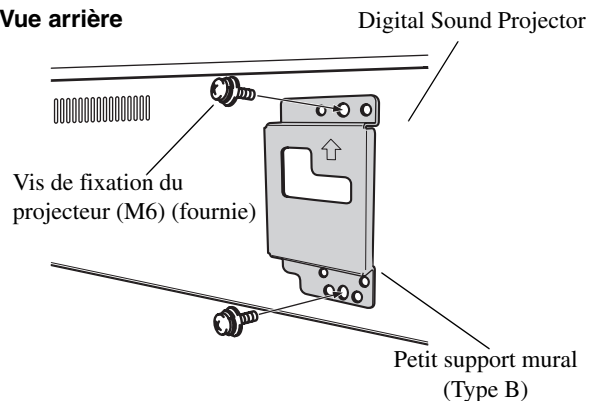
Les petits supports muraux devant être fixés dépendent du type de Digital Sound Projector. Reportez-vous au tableau suivant pour le détail sur les types de Digital Sound Projector compatibles avec chaque type de petits supports muraux (Type A ou B). Utilisez les vis de fixation de projecteur fournies (M6 x 4 pour le YSP-4000, YSP-40D ou HTY-7040 et M4 x 8 pour les autres modèles) pour fixer les deux petits supports muraux aux côtés arrière gauche et droit du Digital Sound Projector.

Digital Sound Projector	Petit support mural
YSP-800 YSP-900	Type A
YSP-3000 YSP-30D YSP-3050 HTY-7030 YSP-4000 YSP-40D HTY-7040	Type B

Fixez les supports aux côtés gauche et droit du Digital Sound Projector.

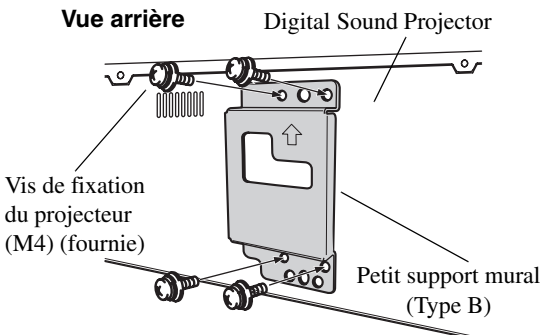
■ YSP-4000/YSP-40D/HTY-7040

Vue arrière



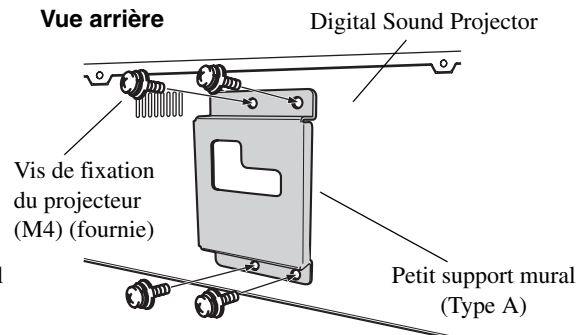
■ YSP-3000/YSP-30D/HTY-7030/ YSP-3050

Vue arrière



■ YSP-800/YSP-900

Vue arrière

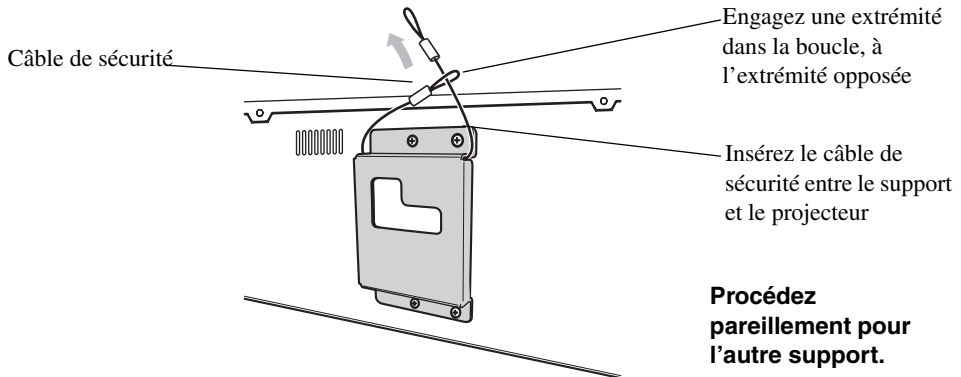


Remarques

- Si vous serrez les vis de travers, les filetages dans le projecteur risquent d'être endommagés. Dans ce cas, serrez les vis de manière à percer le feutre.
- Sur le modèle sans plaquettes métalliques, les orifices sont bouchés par du feutre. Faites attention si vous utilisez un outil électrique.

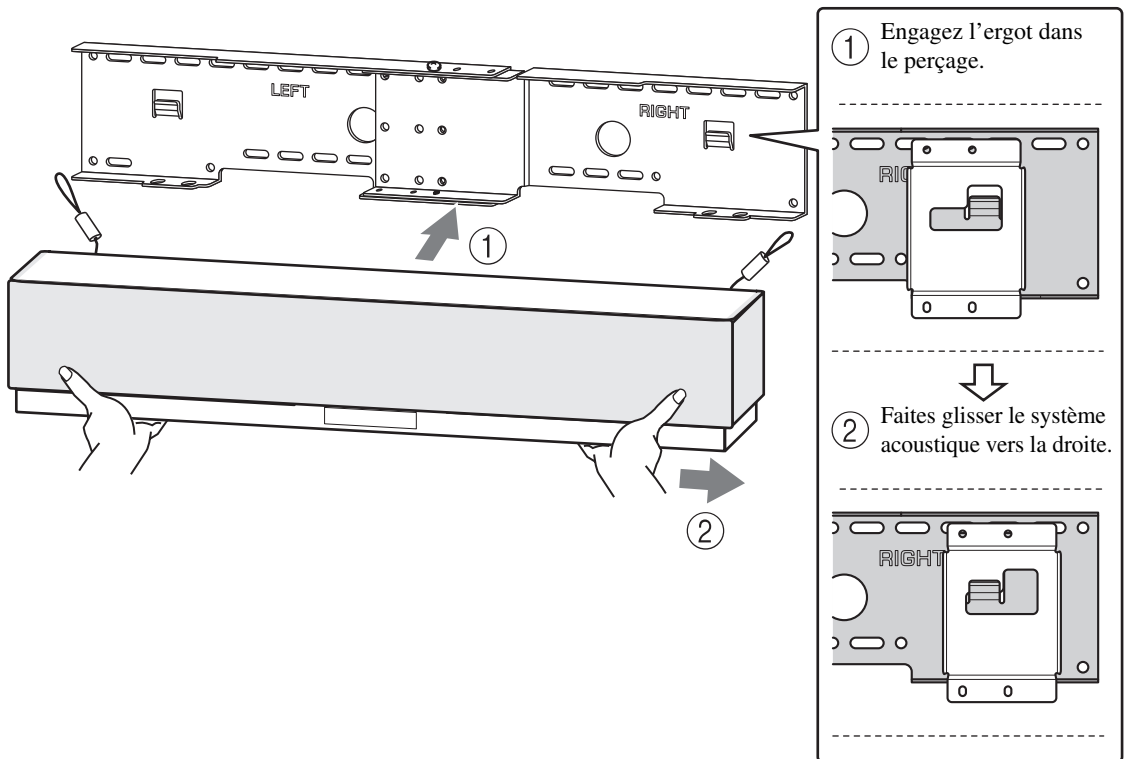
4 Fixez le câble de sécurité.

Fixez le câble de sécurité au petit support mural pour empêcher le Digital Sound Projector sonore de tomber.



5 Fixez le Digital Sound Projector au mur.

Engagez les ergots de fixation des petits supports muraux du Digital Sound Projector dans les perçages gauche et droit du grand support mural et faites glisser l'appareil vers la droite.



Remarque

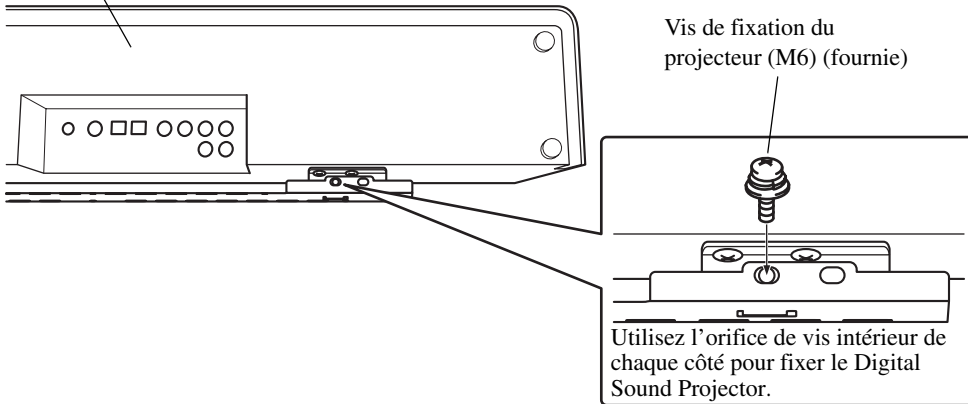
Tenez bien le Digital Sound Projector avec les deux mains lorsque vous fixez le Digital Sound Projector au mur ou le retirez du mur. Si vous ne le tenez pas bien, il risque de tomber et de blesser quelqu'un.

6 Assurez le maintien du système.

Placez les perçages du grand support mural en regard des perçages pratiqués dans le fond des petits supports muraux puis assurez le maintien du projecteur au moyen de 2 vis (M6 x 16) de fixation fournies. Les positions des orifices de vis varient selon le type de Digital Sound Projector. Référez-vous aux illustrations suivantes et vérifiez si les positions des orifices de vis utilisés pour fixer du Digital Sound Projector sont correctes.

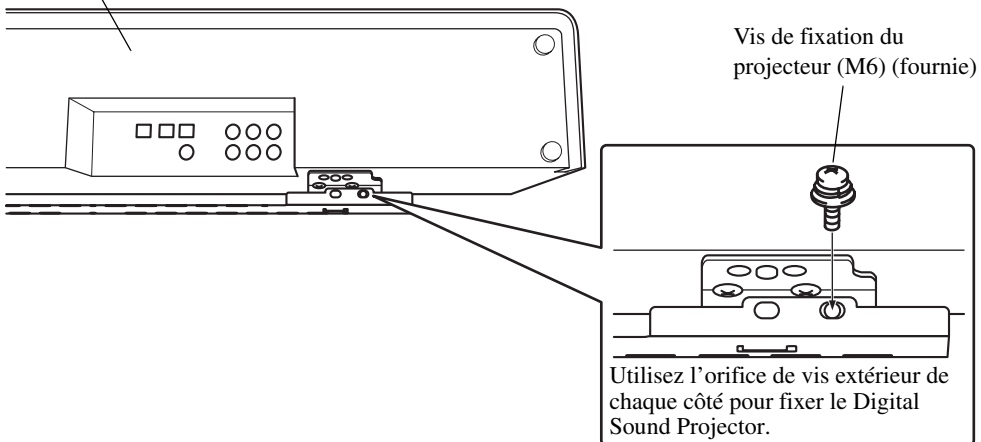
■ YSP-800/YSP-900

Digital Sound Projector **Vue de dessous**



■ YSP-3000/YSP-30D/YSP-3050/HTY-7030/ YSP-4000/YSP-40D/HTY-7040

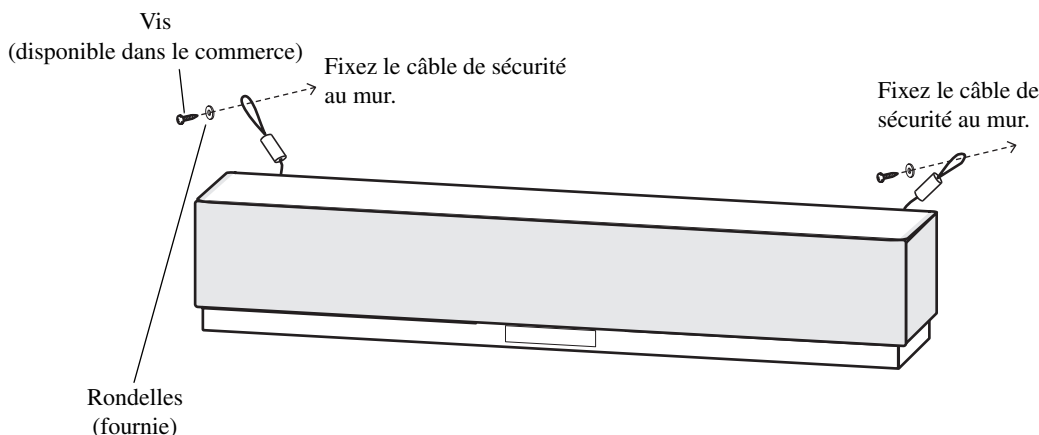
Digital Sound Projector **Vue de dessous**



7 Fixez les câbles de sécurité au mur.

Engagez une vis (disponible dans le commerce) dans la boucle de chaque câble de fixation et serrez les vis pour assurer le maintien des câbles de sécurité au mur.

Assurez-vous que les vis ont la solidité requise pour résister au poids du Digital Sound Projector et des supports s'ils venaient à se détacher.



Remarques

- Rattachez bien les câbles de sécurité.
- Gardez les 2 autres rondelles pour un emploi futur.

Garantie Limitée pour la Zone Économique Européenne (EEA) et la Suisse

Merci d'avoir porté votre choix sur un produit Yamaha. Si votre produit Yamaha devait avoir besoin d'une réparation pendant sa période de garantie, veuillez contacter votre revendeur. En cas de difficulté, veuillez contacter une agence Yamaha dans votre propre pays. Vous trouverez tous les détails nécessaires sur notre site Web (www.yamaha-hifi.com/ ou www.yamaha-uk.com/ pour les résidents au Royaume-Uni).

Ce produit est garanti contre les vices de fabrication et de matériaux pour une période de deux ans à compter de la date d'achat originale. Yamaha réparera, ou remplacera à sa seule discrétion, le produit défectueux ou les pièces de manière gratuite, dans les conditions mentionnées ci-dessous. Yamaha se réserve le droit de remplacer un produit par un autre de même type et/ou valeur et condition, si le modèle n'est plus fabriqué ou si son remplacement semble plus économique.

Conditions

1. La facture originale ou le bon d'achat (indiquant la date de l'achat, le code du produit et le nom du revendeur) DOIT être fourni avec le produit défectueux et une description détaillée du problème. En l'absence de preuve évidente d'achat, Yamaha se réserve le droit de refuser une réparation gratuite et de renvoyer le produit aux propres frais du client.
2. Le produit DOIT avoir été acheté auprès d'un revendeur AGRÉÉ Yamaha dans la Zone Économique Européenne (EEA) ou en Suisse.
3. Le produit ne doit pas avoir subi de modifications ni de changements, à moins d'une autorisation écrite de Yamaha.
4. Sont exclus de la garantie les points suivants:
 - a. Entretien périodique et réparation ou remplacement de pièces ayant subi une usure ou défaillance normale.
 - b. Dommages résultant de:
 - (1) Réparations effectuées par le client lui-même ou par un tiers non autorisé.
 - (2) Emballage ou manipulation inadéquats lors de l'expédition par le client. Le client doit emballer le produit correctement avant de l'expédier en vue d'une réparation.
 - (3) Mauvaise utilisation, y compris mais sans s'y limiter (a) utilisation du produit dans un autre but ou de façon contraire aux instructions de Yamaha, entretien et entreposage et (b) installation ou emploi du produit sans tenir compte des normes de sécurité ou techniques en vigueur dans le pays d'utilisation.
 - (4) Accidents, foudre, eau, incendie, mauvaise ventilation, fuite des piles ou autres causes indépendantes de Yamaha.
 - (5) Défauts de la chaîne avec laquelle ce produit est utilisé et/ou incompatibilité avec des produits d'autres sociétés.
 - (6) Utilisation d'un produit importé dans la Zone Économique Européenne (EEA) et/ou la Suisse, par une autre société que Yamaha, et non conforme aux standards techniques et aux normes de sécurité du pays d'utilisation, et/ou aux spécifications standard d'un produit vendu par Yamaha dans la Zone Économique Européenne (EEA) et/ou la Suisse.
 - (7) Produits non audiovisuels.
(Les produits soumis à une "Déclaration de Garantie AV de Yamaha" sont indiqués sur notre site Web à l'adresse www.yamaha-hifi.com/ ou www.yamaha-uk.com/ pour les résidents au Royaume-Uni).
5. En cas de différences entre la garantie du pays d'achat et celle du pays d'utilisation du produit, la garantie du pays d'utilisation du produit entrera en vigueur.
6. Yamaha décline toute responsabilité quant aux pertes de données ou dommages, direct, accessoires ou autres, résultant de la réparation ou du remplacement du produit.
7. Veuillez sauvegarder tous vos réglages et toutes vos données personnelles avant d'expédier votre produit, car Yamaha ne peut être tenu pour responsable des modifications ou pertes de réglages ou de données.
8. Cette garantie n'affecte pas les droits légaux du consommateur garantis par la législation nationale, ni les droits du consommateur envers le revendeur, découlant d'un contrat de vente/achat particulier.

WANDHALTERUNG

SPM-K30

Installationsanleitung

Wir möchten uns bei dieser Gelegenheit dafür bedanken, dass Sie sich für die Wandhalterung SPM-K30 entschieden haben. Bitte lesen Sie diese Anleitung aufmerksam durch, bevor Sie diese Halterung verwenden. Nachdem Sie diese Anleitung gelesen haben, bewahren Sie diese für spätere Nachschlagzwecke sorgfältig auf.

Bei der Installation des Digital Sound Projector unter Verwendung dieser Halterung müssen alle Einbauarbeiten von einem qualifizierten Wartungs- oder Kundendiensttechniker ausgeführt werden. Der Kunde sollte niemals versuchen, diese Einbauarbeiten selbst auszuführen. Fehlerhafte oder ungeeignete Installation kann zu einem Herunterfallen des Digital Sound Projector und damit zu persönlichen Verletzungen führen.

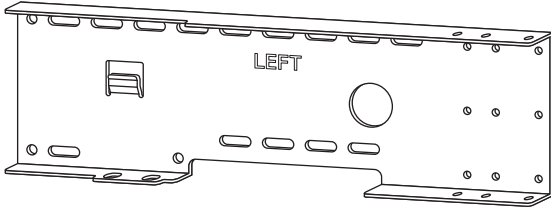
SICHERHEITSANWEISUNGEN

- **Befolgen Sie immer die in dieser Anleitung aufgeführten Instruktionen, wenn der Digital Sound Projector unter Verwendung dieser Halterung eingebaut wird.**
Fehlerhafte oder ungeeignete Installation kann zu einem Herunterfallen des Digital Sound Projector und damit zu persönlichen Verletzungen führen.
- **Die Installation muss sicher ausgeführt werden, um das Gewicht des Digital Sound Projector, der Wandhalterung und der anderen Hardware auf Dauer abstützen und Vibrationen widerstehen zu können.**
Fehlerhafte oder ungeeignete Installation kann zu einem Herunterfallen des Digital Sound Projector und damit zu persönlichen Verletzungen führen.
- **Für optimale Sicherheit ist es unbedingt erforderlich, dass alle Schrauben richtig festgezogen werden.**
Lose Schrauben können zu einem Herunterfallen des Digital Sound Projector und damit zu persönlichen Verletzungen führen.
- **Halten Sie ausreichenden Abstand für die Belüftung rund um das Gerät ein, damit die von dem Digital Sound Projector erzeugte Wärme gut abgeführt werden kann.**
Bei unzureichender Belüftung kann es zu einer internen Überhitzung des Digital Sound Projector kommen, was einen Brand verursachen kann.
- **Hängen Sie niemals etwas auf dem Digital Sound Projector oder der Wandhalterung auf.**
Falls Sie etwas auf dem Digital Sound Projector oder der Wandhalterung aufhängen, kann der Digital Sound Projector oder die Wandhalterung herunterfallen, wodurch persönliche Verletzungen verursacht werden können.
- **Sobald der Digital Sound Projector richtig installiert ist, sollten in regelmäßigen Abständen Sicherheitskontrollen ausgeführt werden.**
Wird der Digital Sound Projector für längere Zeit verwendet, dann können sich die Schrauben lösen bzw. die Installation kann aufgrund von Zeitablauf, Vibrationen usw. geschwächt werden.

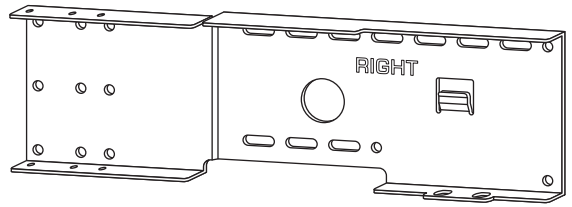
ZUBEHÖR

Stellen Sie sicher, dass alle nachfolgend aufgeführten Teile enthalten sind.

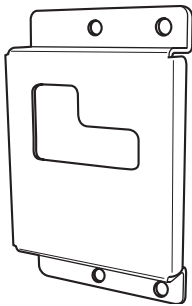
Große Wandhalterung (LINKS) (x1)



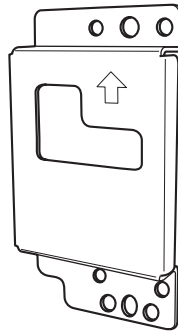
Große Wandhalterung (RECHTS) (x1)



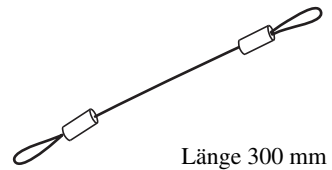
Kleine Wandhalterungen
(Typ A) (x2)



Kleine Wandhalterungen
(Typ B) (x2)



Sicherheitsdrähte (x2)



Länge 300 mm

Projektorbefestigungsschrauben
(M6, 16 mm) (x6)



Projektorbefestigungsschrauben
(M4, 10 mm) (x10)



Unterlegscheibe (für M6,
16 mm Außendurchmesser) (x4)



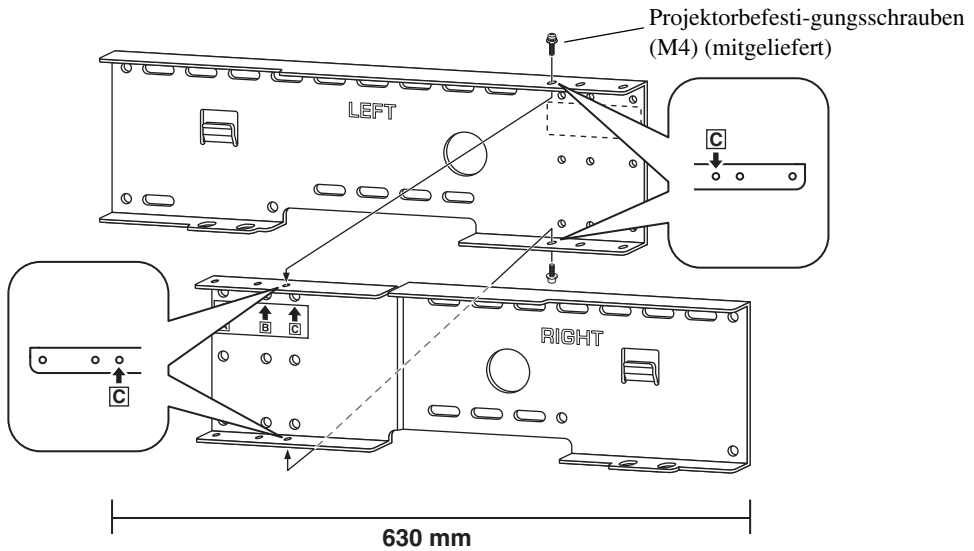
Hinweis

Legen Sie zusätzlich zu den oben aufgeführten Zubehörteilen mindestens als sechs Sätze handelsüblicher Schrauben (ϕ 4 mm, Länge 25 mm oder mehr) sowie Unterlegscheiben bereit.

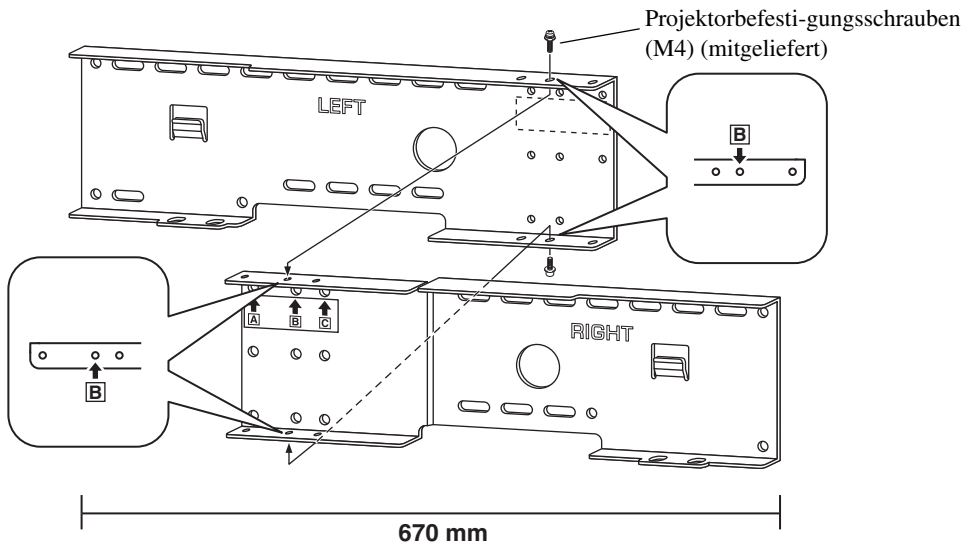
MONTAGE-VORGANG

Die Abmessungen nach der Montage der Teile sind je nach dem Typ des Digital Sound Projector unterschiedlich. Prüfen Sie die Positionen der Schraubenlöcher vor der Montage der Teile.

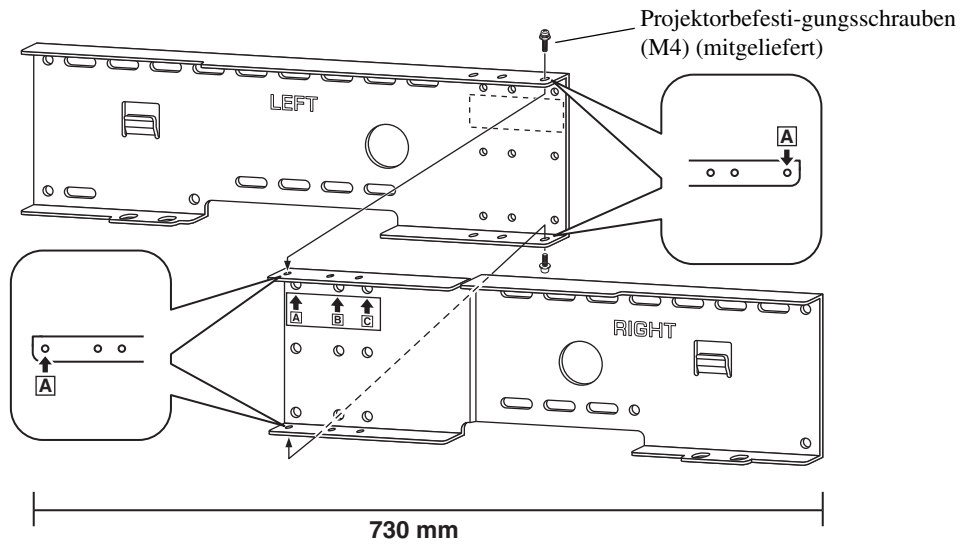
YSP-800, YSP-900



YSP-3000, YSP-30D, YSP-3050, HTY-7030



YSP-4000, YSP-40D, HTY-7040



INSTALLATIONSVORGANG

Halten Sie ausreichend Abstand rund um das Gerät ein, um ausreichende Belüftung sicherzustellen, und befolgen Sie die nachfolgenden Instruktionen. Die Abbildungen in jedem Schritt zeigen als Beispiel YSP-800 und YSP-900.

1 Befestigen Sie die große Wandhalterung an der Wand.

Um das Gerät an der Wand zu sichern, müssen Sie zuerst die Halterung in Abhängigkeit von der Beschaffenheit der Wand richtig an dieser befestigen.

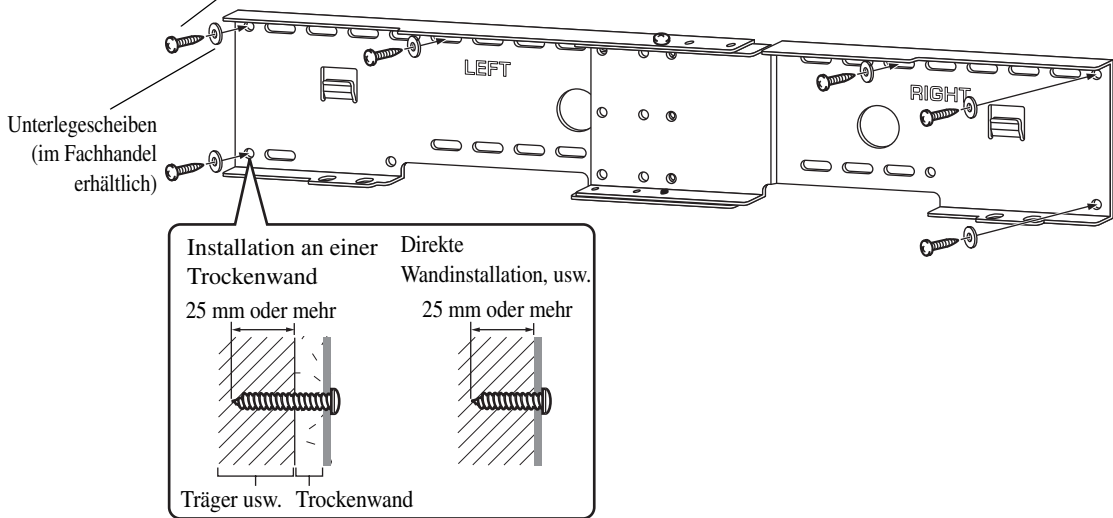
Wählen Sie einen Installationsort aus, an dem die Wand das Gewicht des gesamten Gerätes abstützen kann.

Vor dem Einbau der Halterung überprüfen Sie die Größe (siehe „ABMESSUNGEN“ auf der ersten Seite dieser Anleitung).

Installationsbeispiel

4 -mm-Schneidschraube (im Fachhandel erhältlich)

Um das Gerät sicher an der Wand zu befestigen, drehen Sie sechs (oder mehr) Schneidschrauben von außen durch die Öffnungen in der Wandhalterung ein.

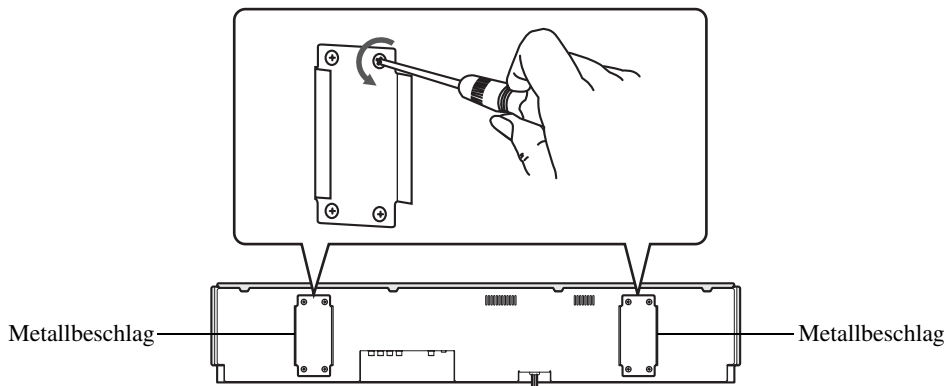


Hinweis

Wählen Sie eine sichere Wand oder einen Träger zum Befestigen der Schrauben. Installieren Sie sie nicht an Wänden aus schwachem Material, das sich lösen kann, wie Mörtel oder Sperrholzplatten. Lose Schrauben können zu einem Herunterfallen des Projektors und damit zu persönlichen Verletzungen führen.

2 Nehmen Sie den Metallbeschlag vom Digital Sound Projector ab. (Nur bestimmte Modelle von YSP-800)

Wenn Metallvorrichtungen an der Rückseite Ihres Digital Sound Projector angebracht sind, nehmen Sie diese von links hinten und rechts hinten ab. Wenn Metallvorrichtungen nicht an der Rückseite Ihres Digital Sound Projector angebracht sind, gehen Sie zu Schritt 3 weiter.



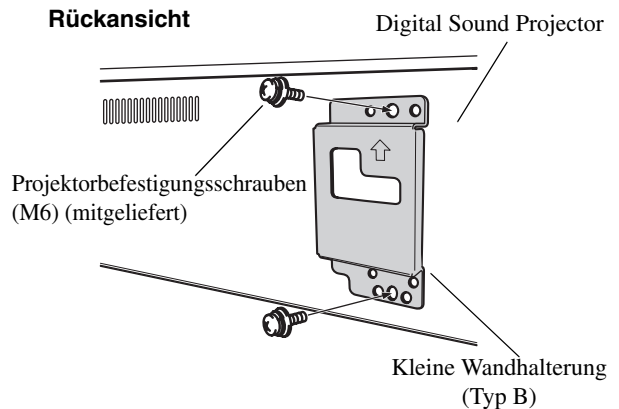
3 Befestigen Sie die kleinen Wandhalterungen an dem Digital Sound Projector.

Die kleinen Wandhalterungen sind je nach dem Typ des Digital Sound Projector unterschiedlich. Siehe folgende Tabelle für Einzelheiten über den Typ des Digital Sound Projector und die kompatiblen kleinen Wandhalterungen (Typ A oder B). Verwenden Sie alle mitgelieferten Projektor-Befestigungsschrauben (M6 x 4 für YSP-4000, YSP-40D oder HTY-7040 und M4 x 8 für andere Modelle) zur sicheren Befestigung der zwei kleinen Wandhalterungen links hinten und links rechts am Digital Sound Projector.

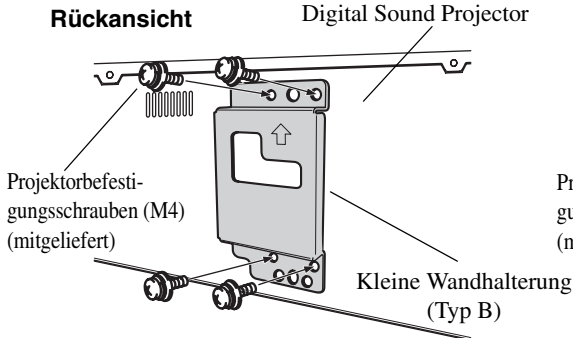
Digital Sound Projector	Kleine Wandhalterung
YSP-800 YSP-900	Typ A
YSP-3000 YSP-30D YSP-3050 HTY-7030 YSP-4000 YSP-40D HTY-7040	Typ B

Befestigen Sie die Halterungen an den hinteren linken und rechten Seiten des Digital Sound Projector.

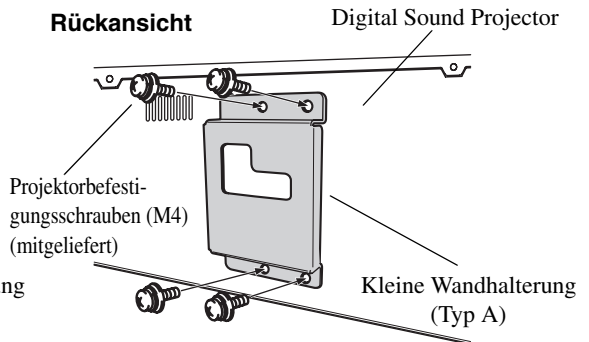
■ YSP-4000/YSP-40D/HTY-7040



■ YSP-3000/YSP-30D/HTY-7030/ YSP-3050



■ YSP-800/YSP-900

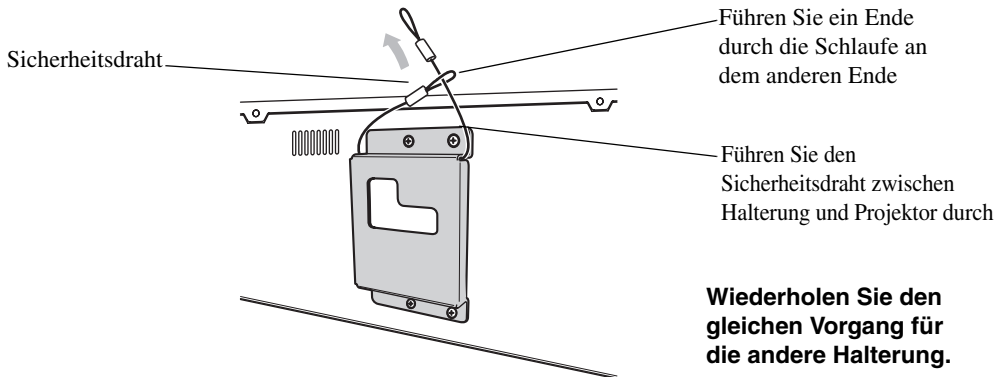


Hinweise

- In der Einheit des Modells ohne Metallvorrichtungen sind Filzabdeckungen in den Löchern. In diesem Fall ziehen Sie die Schrauben fest, so dass sie die Filzabdeckungen durchdringen.
- Wenn Sie die Schrauben schräg festziehen, können die Schraubgewinde im Projektor zerstört werden. Seien Sie bei der Verwendung von elektrischen Werkzeugen vorsichtig.

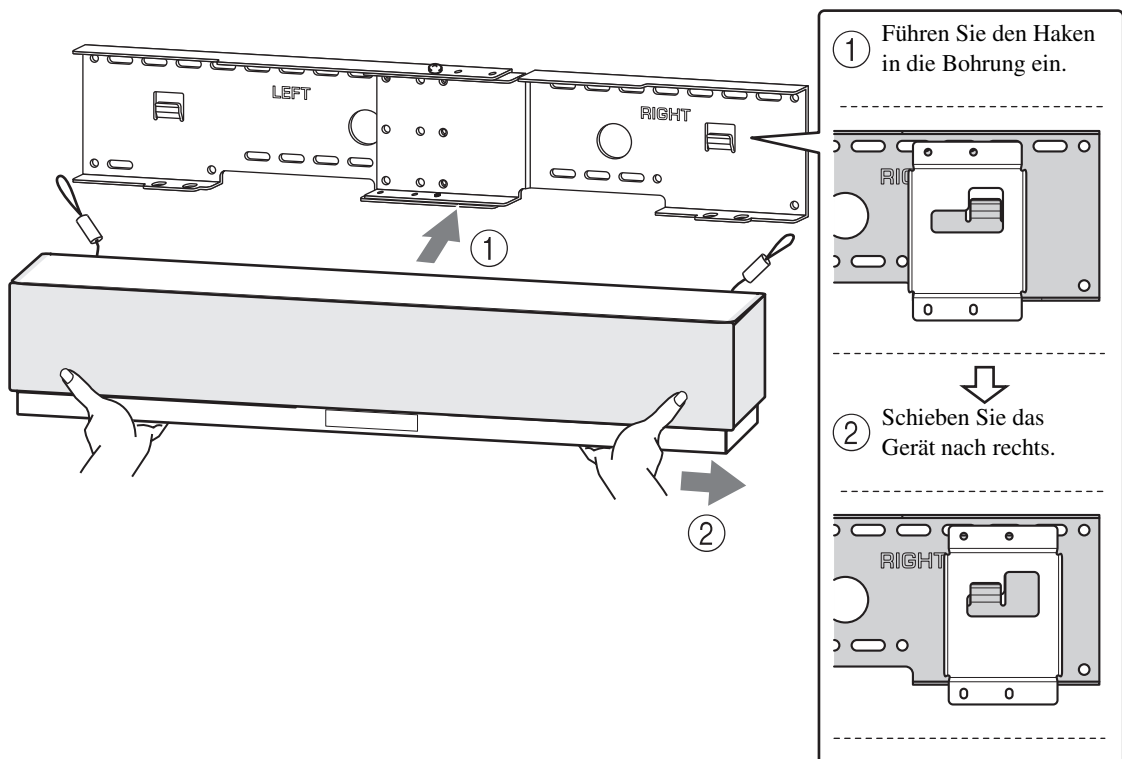
4 Bringen Sie den Sicherheitsdraht an.

Bringen Sie den Sicherheitsdraht an der kleinen Wandhalterung an, um Herunterfallen des Digital Sound Projector zu verhindern.



5 Montieren Sie den Digital Sound Projector an der Wand.

Führen Sie die Einbauführungshaken der an dem Digital Sound Projector angebrachten kleinen Wandhalterungen in die Bohrungen an den linken und rechten Seiten der großen Wandhalterung ein, und schieben Sie danach das Gerät nach rechts.



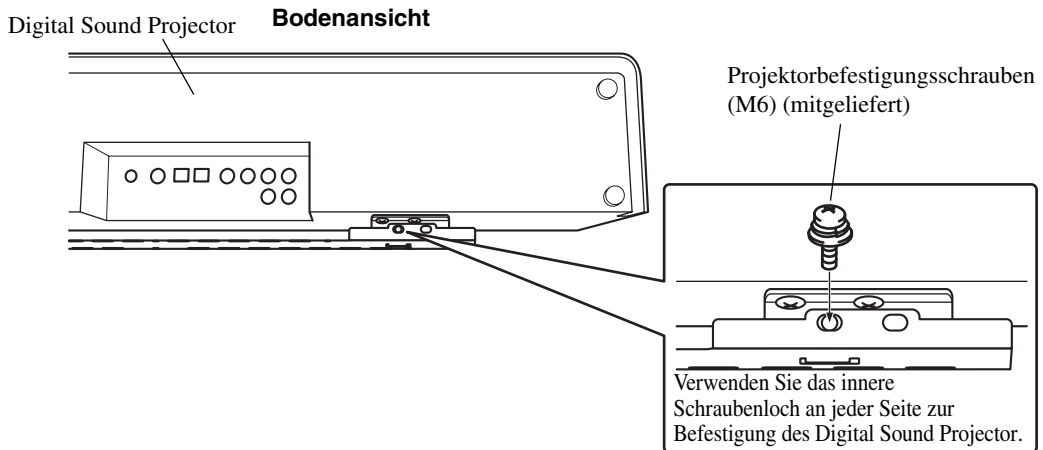
Hinweis

Halten Sie den Digital Sound Projector beim Anbringen oder Abnehmen des Digital Sound Projector an/von der Wand sicher mit beiden Händen fest. Wenn der Digital Sound Projector locker gehalten wird, könnte er herunterfallen und damit zu persönlichen Verletzungen führen.

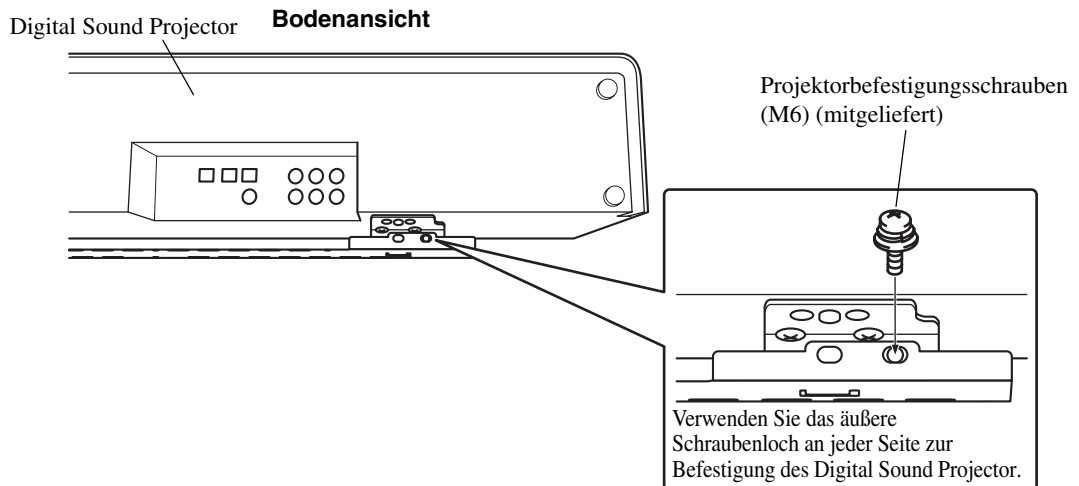
6 Sichern Sie das Gerät.

Richten Sie die Bohrungen der großen Wandhalterung mit den Bohrungen an der Unterseite der kleinen Wandhalterungen aus, und verwenden Sie danach zwei der mitgelieferten Projektorbefestigungsschrauben (M6 x 16) zur Sicherung des Gerätes. Die Positionen der Schraubenlöcher sind je nach dem Typ des Digital Sound Projector unterschiedlich. Siehe folgende Abbildungen und prüfen Sie die korrekten Positionen der Schraubenlöcher zur Befestigung Ihres Digital Sound Projector.

■ YSP-800/YSP-900



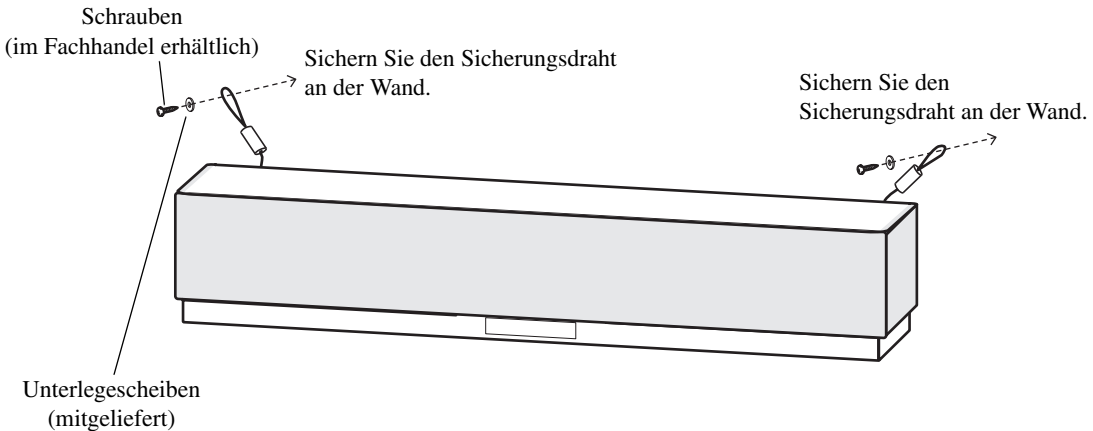
■ YSP-3000/YSP-30D/YSP-3050/HTY-7030/ YSP-4000/YSP-40D/HTY-7040



7 Befestigen Sie die Sicherungsdrähte an der Wand.

Führen Sie Schrauben (im Fachhandel erhältlich) durch die Schlaufen der Sicherungsdrähte, und ziehen Sie danach die Schrauben fest, um die Sicherungsdrähte an der Wand zu sichern.

Stellen Sie sicher, dass die Schrauben stark genug sind, um das Gewicht des Digital Sound Projector und der Halterung tragen zu können, wenn diese herunterfallen.



Hinweise

- **Bringen Sie den Sicherheitsdraht fest an.**
- **Bewahren Sie die 2 anderen Unterlegscheiben für zukünftige Verwendung auf.**

Begrenzte Garantie für den Europäischen Wirtschaftsraum (EWR) und die Schweiz

Herzlichen Glückwunsch zur Wahl eines Yamaha-Produkts. In dem unwahrscheinlichen Fall, dass die Garantie für das Yamaha-Produkt in Anspruch genommen werden muss, wenden Sie sich bitte an den Händler, bei dem es gekauft wurde. Wenn dies schwierig ist, wenden Sie sich bitte an die Yamaha-Vertretung in Ihrem Land. Sie können alle Einzelheiten auf unserer Website finden (www.yamaha-hifi.com/ oder www.yamaha-uk.com/ für Einwohner Großbritanniens).

Wir garantieren für einen Zeitraum von zwei Jahren ab ursprünglichem Kaufdatum, dass dieses Produkt frei von Verarbeitungs- oder Materialfehlern ist. Yamaha garantiert im Rahmen der im Folgenden aufgeführten Bedingungen, das fehlerhafte Produkt oder jegliche Teile desselben nach Entscheidung Kundendienst zu reparieren oder zu ersetzen, ohne dem Kunden Material- oder Arbeitskosten zu berechnen. Yamaha behält das Recht vor, ein Produkt mit einem der gleichen Art und/oder des gleichen Werts und Zustands zu ersetzen, wenn die Produktion eines Modells eingestellt wurde oder eine Reparatur als unwirtschaftlich betrachtet wird.

Bedingungen

1. Die originale Rechnung oder der Verkaufsbeleg (mit Angabe von Kaufdatum, Produktcode und Händlerna) MUSS das defekte Produkt begleiten, zusammen mit einer Beschreibung des Fehlers. Wenn kein eindeutiger Kaufbeleg vorhanden ist, behält Yamaha das Recht vor, den kostenlosen Kundendienst zu verweigern und das Produkt auf Kundenkosten zurückzusenden.
2. Das Produkt MUSS von einem AUTORISIERTEN Yamaha-Händler innerhalb des Europäischen Wirtschaftsraums (EWR) oder der Schweiz gekauft worden sein.
3. Das Produkt darf nicht Modifikationen oder Änderungen unzerzogen worden sein, ausgenommen wenn ausdrücklich von Yamaha autorisiert.
4. Folgendes ist von dieser Garantie ausgenommen:
 - a. Regelmäßige Wartung und Reparatur bzw. Austausch von Teilen aufgrund von normalem Verschleiß.
 - b. Schäden, bewirkt durch:
 - (1) Vom Kunden selber oder von nichtbefugten Dritten ausgeführte Reparaturen.
 - (2) Ungeeignete Verpackung oder Behandlung beim Transport des Produkts vom Kunden. Beachten Sie, dass es in der Verantwortung des Kunden liegt, sicherzustellen, dass das Produkt bei der Einreichung zur Reparatur angemessen verpackt ist.
 - (3) Missbrauch, einschliesslich – aber nicht beschränkt auf (a) Verwendung des Produkts für einen anderen als den vorgesehenen Zweck oder Missachtung von Yamahas Anweisungen zur richtigen Verwendung, Wartung und Lagerung und (b) Aufstellung oder Verwendung des Produkts auf eine Weise, die den technischen oder Sicherheitsstandards am Aufstellungsort widerspricht.
 - (4) Unfälle, Blitzschlag, Wasser, Feuer, falsche Lüftung, Batterielecks oder andere von Yamaha nicht vorhersehbare Ursachen.
 - (5) Defekte an dem System, in dieses Produkt eingebaut wird und/oder Inkompatibilität mit Produkten Dritter.
 - (6) Verwendung eines in den EWR und/oder die Schweiz importierten Produkts durch andere gesetzliche Personen als Yamaha, wobei das Produkt nicht mit den technischen oder Sicherheitsstandards des Verwendungslandes und/oder der Standardspezifikation eines von Yamaha im EWR und/oder der Schweiz verkauften Produkts übereinstimmt.
 - (7) Andere als auf den AV- (audio-visuellen) Bereich bezogene Produkte. (Produkte, die der „Yamaha AV-Garantieerklärung“ unterliegen, sind auf unserer Website bei www.yamaha-hifi.com/ oder www.yamaha-uk.com/ für Einwohner Großbritanniens definiert.)
5. Wo die Garantie zwischen dem Verkaufsland und dem Verwendungsland des Produkts unterscheidet, gilt die Garantie des Verwendungslandes.
6. Yamaha haftet nicht für jegliche entstehende Schäden oder Verluste, weder direkte Folgeschäden oder andere, in einem weiteren Umfang als durch Reparatur oder Austausch dieses Produktes.
7. Bitte sichern Sie jegliche Benutzereinstellungen oder Daten, da Yamaha nicht für Änderung oder Verlust solcher Einstellungen oder Daten haftet.
8. Diese Garantie beeinträchtigt nicht die gesetzlichen Rechte des Kunden unter dem geltenden nationalen Recht oder die Rechte des Kunden gegenüber dem Händler, die aus dem Verkaufs-/Kaufvertrag resultieren.

VÄGGMONTERINGSFÄSTE

SPM-K30

Monteringsanvisning

Tack så mycket för inköpet av Vägghmonteringsfästet SPM-K30. Se till att noga läsa igenom denna monteringsanvisning innan fästet tas i bruk. Spara bruksanvisningen för eventuella framtida behov.

Vid montering av Digital Sound Projector med hjälp av detta fäste måste allt installationsarbete utföras av kvalificerad entreprenörs- eller återförsäljarpersonal. Kunden ska aldrig försöka utföra installationsarbetet själv. Felaktig eller slarvig montering kan leda till att Digital Sound Projector faller ner, vilket kan resultera i personskada.

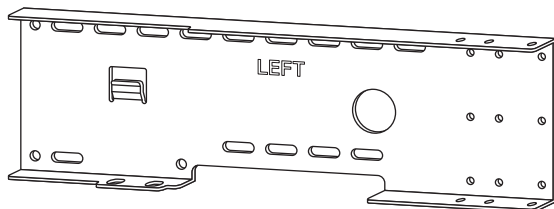
SÄKERHETSFÖRESKRIFTER

- **Följ alltid de anvisningar som ges här när Digital Sound Projector monteras med hjälp av detta fäste.** Felaktig eller slarvig montering kan leda till att Digital Sound Projector faller ner, vilket kan resultera i personskada.
- **Monteringen måste vara tillräckligt stadig för att kunna bära vikten hos Digital Sound Projector, väggfästet och övriga metallbeslag för alltid, och måste även tillräckligt stadig att motstå vibrationer.** Felaktig eller slarvig montering kan leda till att Digital Sound Projector faller ner, vilket kan resultera i personskada.
- **För garanterad säkerhet måste alla skruvar vara ordentligt åtdragna.** Lösa skruvar kan leda till att Digital Sound Projector faller ner, vilket kan resultera i personskada.
- **Se noga till att lämna tillräckligt med ventilationsutrymme runt enheten, så att värme som alstras av Digital Sound Projector kan ledas bort.** Underlåtenhet att sörja för tillräckligt med utrymme runt enheten kan förorsaka överhettning inuti Digital Sound Projector, vilket kan resultera i brand.
- **Häng aldrig i Digital Sound Projector eller väggfästet.** Om en person hänger i Digital Sound Projector eller väggfästet finns det risk att Digital Sound Projector faller ner, vilket kan resultera i personskada.
- **Efter att Digital Sound Projector har monterats, bör säkerhetskontroller genomföras med jämna mellanrum.** Om Digital Sound Projector används under en längre tidsperiod, kan det hända att skruvar lossnar och installationen kan försvagas till följd av tidens gång, vibrationer etc.

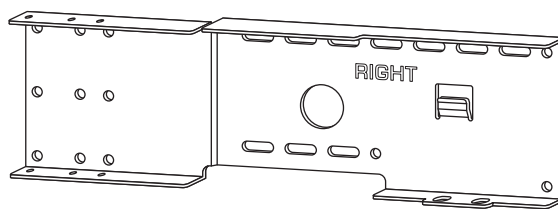
TILLBEHÖR

Kontrollera att alla delar som anges nedan finns med i förpackningen.

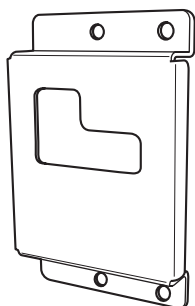
Stort väggmonteringsfäste (vänster) (x1)



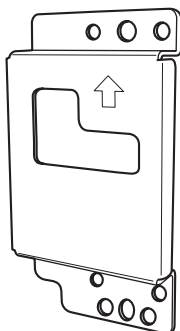
Stort väggmonteringsfäste (höger) (x1)



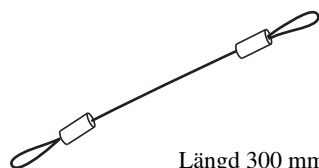
Små väggmonteringsfästen
(typ A) (x2)



Små väggmonteringsfästen
(typ B) (x2)



Säkerhetsvagnar (x2)



Längd 300 mm

Medföljande monteringskruvar
(M6, 16 mm) (x6)



Medföljande monteringskruvar
(M4, 10 mm) (x10)



Bricka (för M6, yttre omkrets
på 16 mm) (x4)



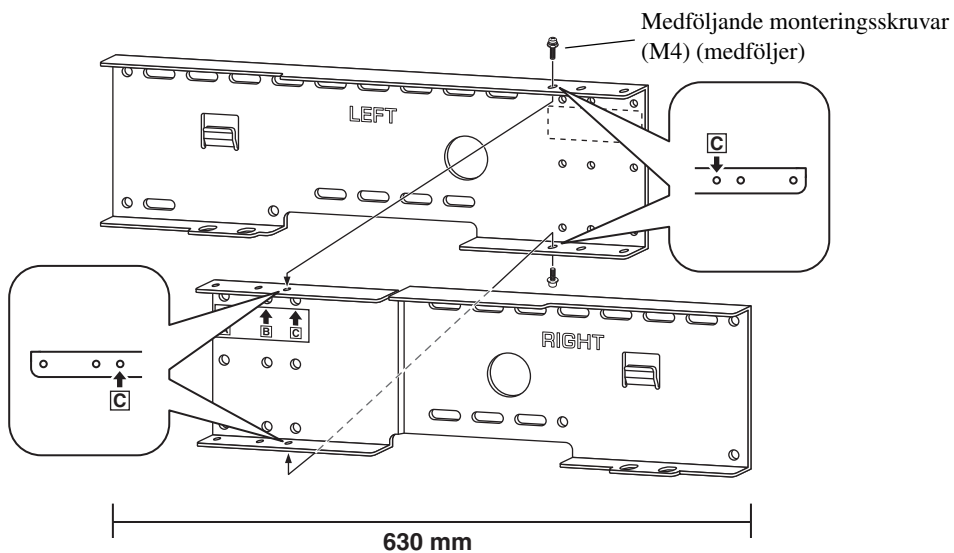
Anmärkning

Förbered åtminstone sex stycken tappskruvar ($\phi 4$ mm, minst 25 mm långa) (tillval) och brickor utöver de tillbehör som visas ovan.

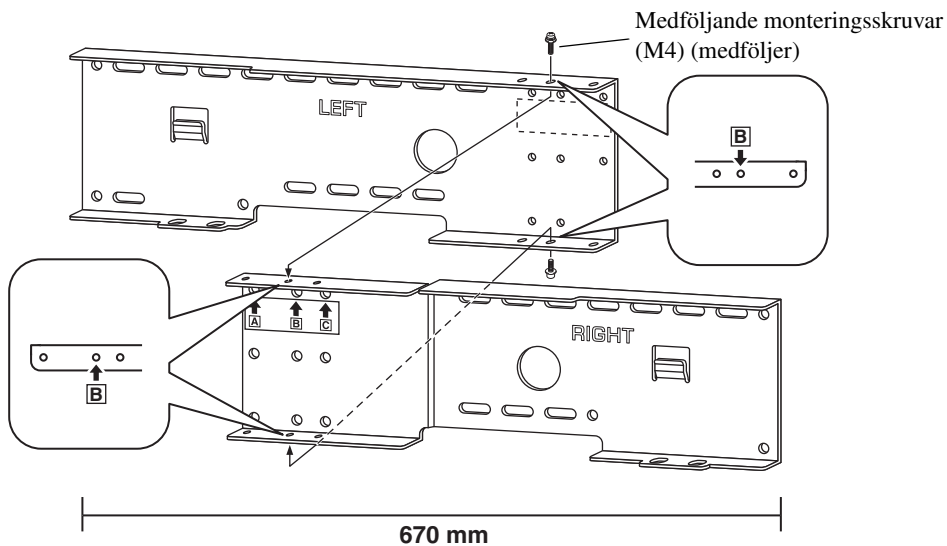
HOPSÄTTNING

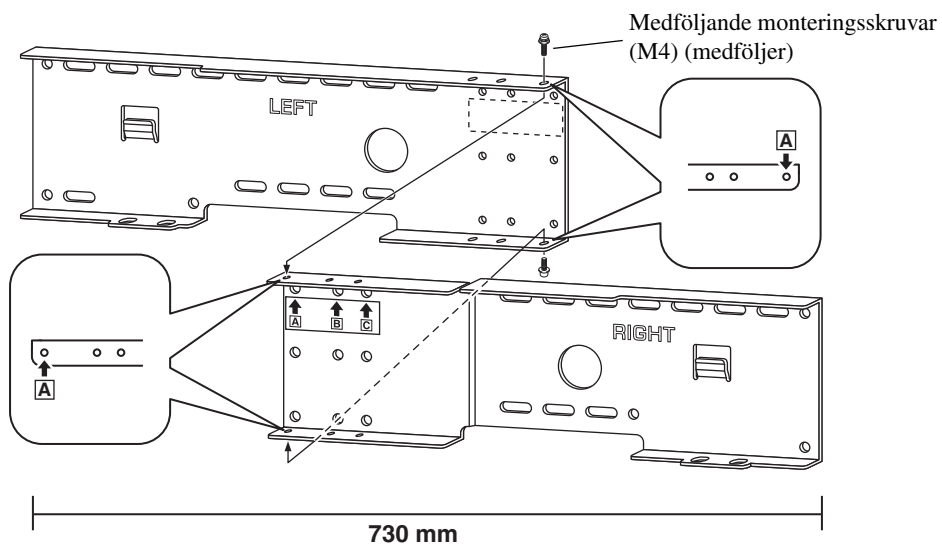
Dimensionerna efter hopsättning av delarna varierar beroende på typen av Digital Sound Projector. Kontrollera var skruvhålen är placerade, innan delarna sätts ihop.

YSP-800, YSP-900



YSP-3000, YSP-30D, YSP-3050, HTY-7030



YSP-4000, YSP-40D, HTY-7040

MONTERINGSÅTGÄRDER

Se till att lämna tillräckligt med ventilationsutrymme runt Digital Sound Projector och att följa följande anvisningar. På illustrationerna i varje åtgärds punkt visas exempel för YSP-800 och YSP-900.

1 Montera fast det stora väggmonteringsfästet i väggen.

För att Digital Sound Projector ska kunna monteras på väggen måste det stora fästet först fästas i väggen på lämpligt sätt enligt väggens uppbyggnad och kvalitet.

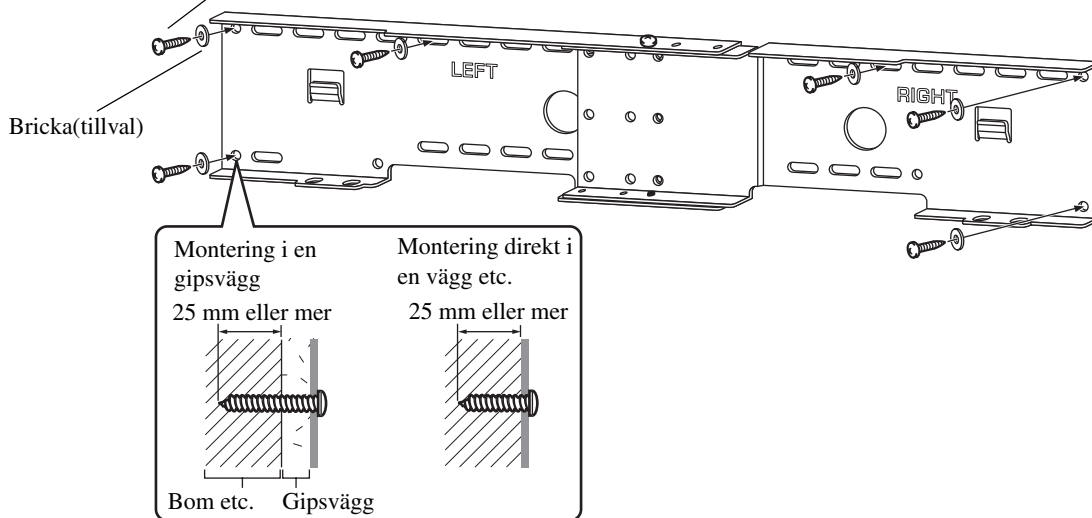
Välj en plats där väggen kan bära upp hela enhetens vikt.

Innan fästet monteras, kontrollera storleken (se "MATTSKISSER" på första sidan i denna bruksanvisning).

Monteringsexempel

4 mm självgående skruv (tillval)

För att Digital Sound Projector ska sitta säkert på väggen ska sex (eller fler) tappskruvar skruvas i från utsidan genom hålen i väggmonteringsfästet.

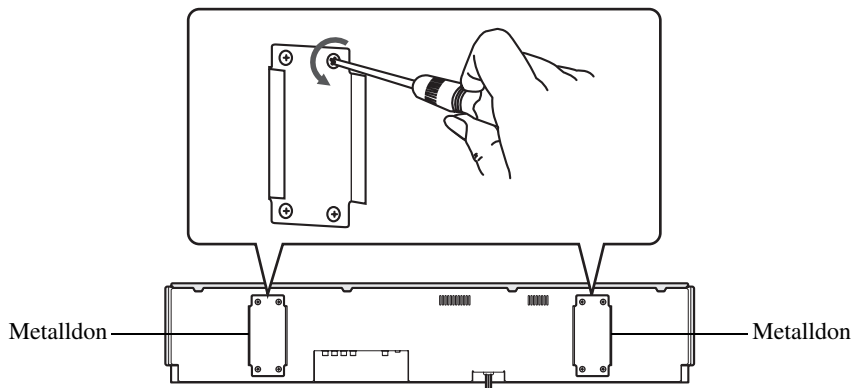


Anmärkning

Välj en stabil vägg eller bom för att fästa skruvarna. Skruva inte in dem i väggar gjorda av vekt material som lätt kan lossna, som murbruk eller väggpaneler av plywood. Lösa skruvar kan leda till att Digital Sound Projector faller ner, vilket kan resultera i personskada.

2 Ta loss metalldonen från Digital Sound Projector. (Gäller endast vissa modeller av YSP-800)

Om metalldonen är fastmonterade på baksidan av Digital Sound Projector, så ta loss dem från vänstra och högra sidan. Om metalldonen inte är fastmonterade på baksidan av Digital Sound Projector, så gå vidare till steg 3.



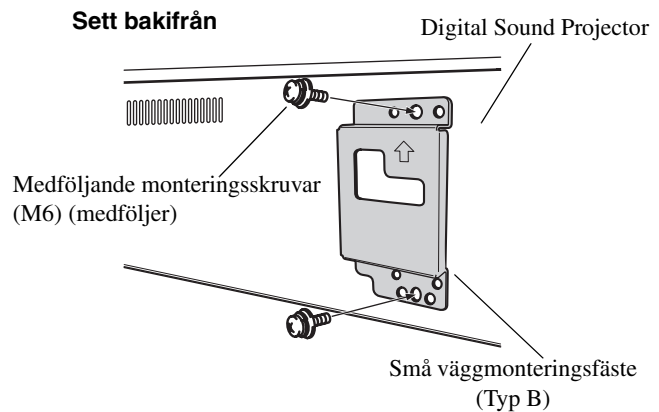
3 Montera fast de små väggmonteringsfästena i Digital Sound Projector.

De små väggmonteringsfästena varierar beroende på typen av Digital Sound Projector. Kontrollera i följande tabell vilken typ av små väggmonteringsfästen (typ A eller typ B) som ska användas till aktuell Digital Sound Projector. Använd medföljande monteringskruvar för projektorn (M6 x 4 för YSP-4000, YSP-40D eller HTY-7040 och M4 x 8 för övriga modeller) till att skruva fast de två små väggmonteringsfästena till vänster och höger på Digital Sound Projector baksida.

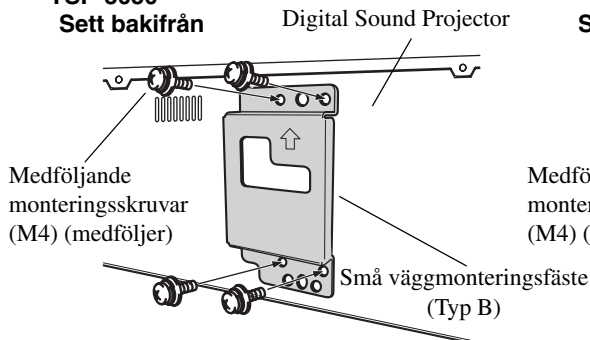
Digital Sound Projector	Små väggmonteringsfäste
YSP-800 YSP-900	Typ A
YSP-3000 YSP-30D YSP-3050 HTY-7030 YSP-4000 YSP-40D HTY-7040	Typ B

Skruva fast fästena till vänster och höger på Digital Sound Projector baksida.

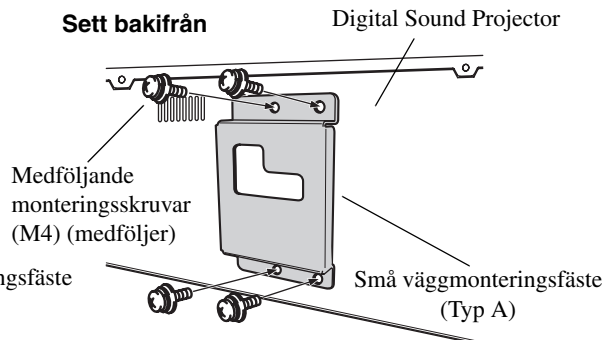
■ YSP-4000/YSP-40D/HTY-7040



■ YSP-3000/YSP-30D/HTY-7030/ YSP-3050



■ YSP-800/YSP-900

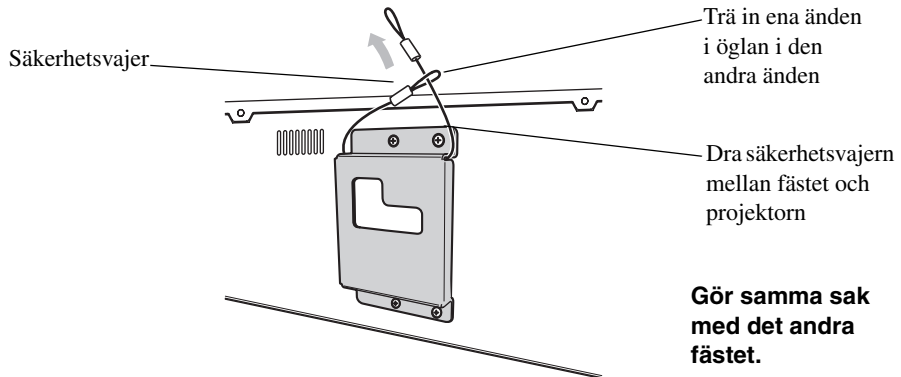


Anmärkningar

- Om skruvarna dras i snett, kan skruvgångorna i projektorn skadas. Var försiktig när el-verktyg används.
- Den modell som levereras utan fastmonterade metallidon är försedd med filtskydd i skruvhålen. Punktera i detta fall filtskydden genom att skruva i skruvarna.

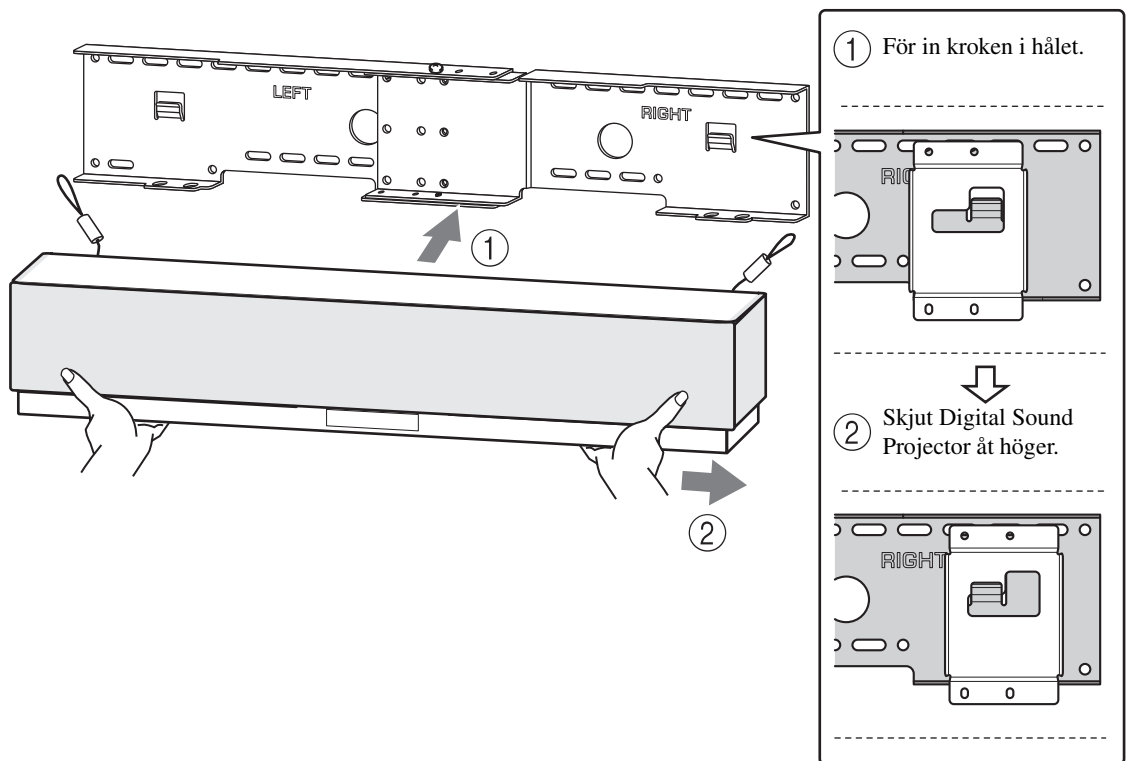
4 Sätt fast säkerhetsvajern.

Sätt fast säkerhetsvajern i det lilla monteringsfästet för att förhindra Digital Sound Projector faller ner.



5 Montera Digital Sound Projector på väggen.

Passa in monteringshakarna på de små väggmonteringsfästena, som sitter på Digital Sound Projector, i hålen till vänster och höger på det stora väggmonteringsfästet och skjut sedan enheten åt höger.



Anmärkning

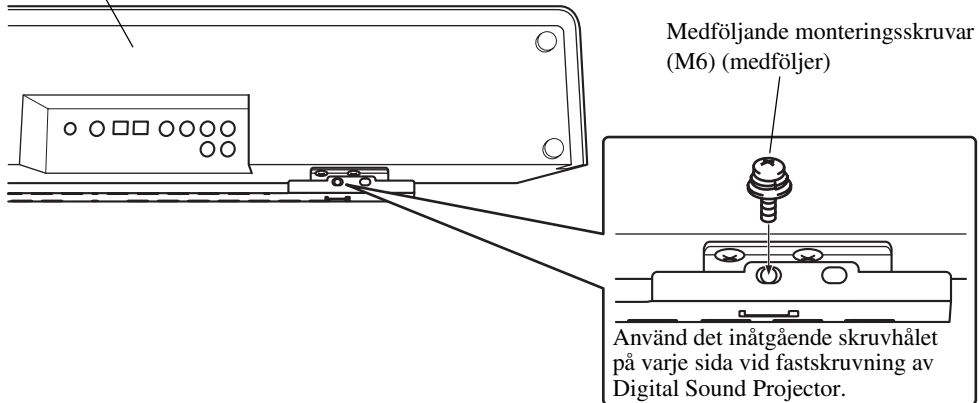
Håll i Digital Sound Projector stadigt med båda händerna när Digital Sound Projector sätts upp på eller tas ner från väggen. Om man inte håller ordentligt i Digital Sound Projector kan det leda till att Digital Sound Projector faller ner, vilket kan resultera i personskada.

6 Skruva fast Digital Sound Projector.

Anpassa hålen på det stora väggmonteringsfästet till hålen på undersidan av de små väggmonteringsfästena, och använd sedan två av de medföljande monteringskruvarna (M6 x 16) till att skruva fast enheten. Skruvhålens placering varierar beroende på typen av Digital Sound Projector. Kontrollera på följande illustrationer korrekta placeringar av de skruvhål som ska användas till att fästa Digital Sound Projector.

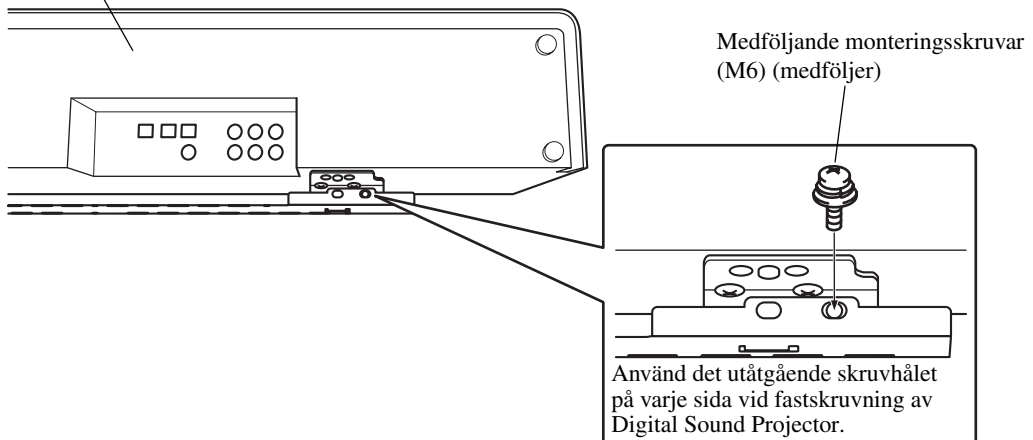
■ YSP-800/YSP-900

Digital Sound Projector **Sett underifrån**



■ YSP-3000/YSP-30D/YSP-3050/HTY-7030/ YSP-4000/YSP-40D/HTY-7040

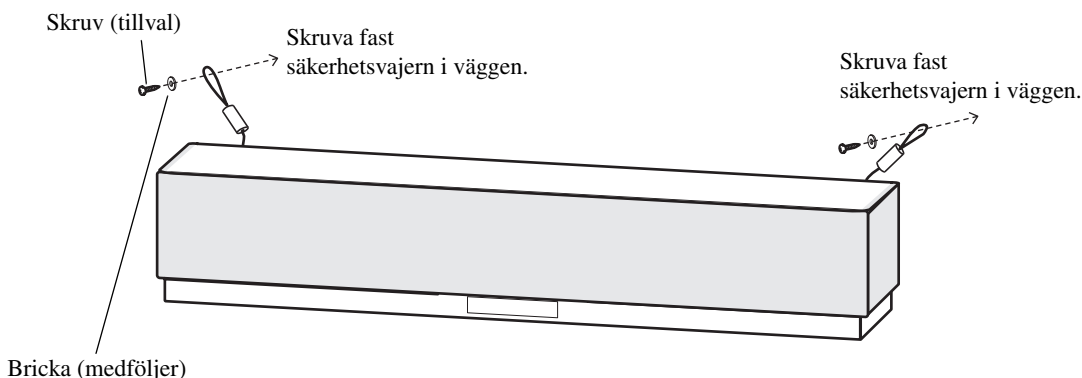
Digital Sound Projector **Sett underifrån**



7 Fäst säkerhetsvajer i väggen.

För in en lämplig skruv (tillval) genom öglan på varje säkerhetsvajer och dra sedan åt skruvarna för att fästa säkerhetsvajer i väggen.

Kontrollera att skruvarna är tillräckligt starka för att kunna bära Digital Sound Projector och fästenas sammanlagda vikt i händelse att de skulle lossna.



Anmärkningar

- Fäst säkerhetsvajer ordentligt.
- Spara de två andra brickorna för framtida behov.

Begränsad garanti inom EES-området och Schweiz

Tack för att du har valt en produkt från Yamaha. Var god kontakta återförsäljaren av produkten, om din Yamaha-produkt av någon oförutsedd anledning kräver garantiservice. Var god kontakta Yamahas representantkontor i ditt land, om något problem uppstår. Fullständig information återfinns på vår webbplats (www.yamaha-hifi.com/ eller www.yamaha-uk.com/ för boende i Storbritannien).

Produkten garanteras vara felfri när det gäller utförande och material i en period på två år från ursprungligt inköpsdatum. Yamaha åtar sig att, i enlighet med nedanstående villkor, reparera, eller efter eget gottfinnande byta ut, en felaktig produkt eller någon av dess delar, utan att debitera för delar eller arbete. Yamaha förbehåller sig rätten att byta ut en produkt mot en av liknande typ och/eller värde och skick, då en viss modell har upphört eller anses oekonomisk att reparera.

Villkor

1. Ursprunglig faktura eller ursprungligt försäljningskvitto (där inköpsdatum, produktkod och återförsäljarens namn står angivet) MÅSTE följa med den felaktiga produkten, tillsammans med uppgifter om aktuellt fel. I avsaknad av ett tydligt bevis på inköp förbehåller sig Yamaha rätten att vägra erbjuda avgiftsfri service och produkten kan då komma att återsändas på kundens bekostnad.
2. Produkten MÅSTE vara köpt av en AUKTORISERAD Yamaha-återförsäljare i ett EES-land eller Schweiz.
3. Produkten får inte ha blivit utsatt för någon modifiering eller förändring, såvida inte skriftligt tillstånd för detta erhållits av Yamaha.
4. Denna garanti inkluderar ej följande:
 - a. Periodiskt underhåll och reparation eller utbyte av delar på grund av normal förslitning.
 - b. Skada orsakad av:
 - (1) Reparation utförd av kunden själv eller av en icke-åtkomlig tredje part.
 - (2) Bristfällig emballering eller ovarsam hantering under transporten av produkten från kunden. Observera att det är kundens ansvar att se till att produkten är ordentligt emballerad, när produkten sänds in för reparation.
 - (3) Felaktig användning, inklusive men ej begränsat till (a) underlåtenhet att använda produkten för dess normala syfte eller i enlighet med Yamahas anvisningar för korrekt användning, underhåll och förvaring och (b) installation eller användning av produkten på ett sätt som är oförenligt med de tekniska eller säkerhetsmässiga normer som gäller i det land där produkten används.
 - (4) Olycka, åska, vatten, brand, dålig ventilation, batteriläckage eller någonting annat utanför Yamahas kontroll.
 - (5) Fel på det system som denna produkt införlivas i och/eller inkompatibilitet med tredje parts produkter.
 - (6) Användning av en produkt importerad till ett EES-land och/eller Schweiz, ej av Yamaha, där den produkten inte är i överensstämmelse med de tekniska eller säkerhetsmässiga normer som gäller i användarlandet och/eller med standardspecifikationen för en produkt såld av Yamaha i EES-området och/eller Schweiz.
 - (7) Produkter utan audiovisuell anknäring.
(Produkter föremål för "Yamaha AV Guarantee Statement" definieras på vår webbplats: www.yamaha-hifi.com/ eller www.yamaha-uk.com/ för boende i Storbritannien.)
5. Om garantin skiljer sig åt mellan inköpslandet och användarlandet för produkten, så ska den garanti som gäller i användarlandet tillämpas.
6. Yamaha kan ej hållas ansvarigt för några förluster eller skador, vare sig direkta, indirekta eller av annat slag, utom reparationen eller utbytet av produkten.
7. Se till att säkerhetskopiera eventuella egna inställningar eller data, eftersom Yamaha inte kan hållas ansvarigt för några ändringar eller förluster av sådana inställningar eller data.
8. Denna garanti påverkar ej konsumentens lagstadgade rättigheter enligt gällande nationella lagar eller konsumentens rättigheter gentemot återförsäljaren, vilka uppkommit genom gällande försäljnings/köpekontrakt.

STAFFA A MURO

SPM-K30

Manuale di installazione

Vi ringraziamo per aver acquistato la staffa di installazione a muro SPM-K30. Prima di usare la staffa, leggerne fino in fondo il manuale. Dopo averlo finito, tenerlo in un luogo sicuro per poterlo consultare ancora al momento del bisogno.

Se si installa il Digital Sound Projector con questa staffa, tutto il lavoro di installazione deve venire affidato a personale qualificato o al negozio di acquisto. Il cliente non deve per alcun motivo effettuare l'installazione da sé. Un'installazione inadeguata potrebbe lasciar cadere il Digital Sound Projector, causando infortuni.

NORME DI SICUREZZA

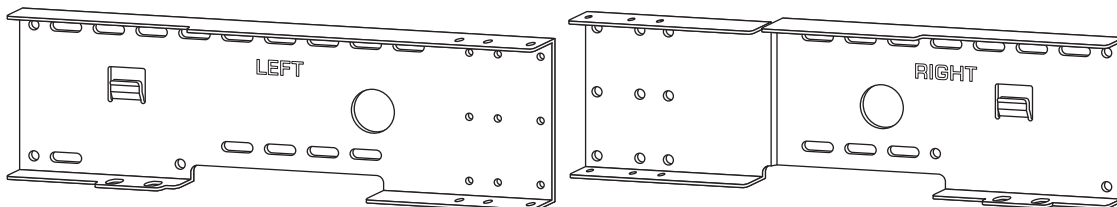
- **Nell'installare il Digital Sound Projector con questa staffa, seguire sempre le istruzioni di questo manuale.**
Un'installazione inadeguata potrebbe lasciar cadere il Digital Sound Projector, causando infortuni.
- **L'installazione deve essere solida a sufficienza per sopportare il peso del Digital Sound Projector, quello della staffa e degli altri elementi di installazione senza limiti di tempo ed essere in grado di sopportare vibrazioni.**
Un'installazione inadeguata potrebbe lasciar cadere il Digital Sound Projector, causando infortuni.
- **Per assicurarsi la sicurezza del sistema, stringere fermamente tutte le viti.**
Le viti allentate possono lasciar cadere il Digital Sound Projector, causando infortuni.
- **Controllare che attorno all'unità vi sia sufficiente spazio per la dispersione del calore che il Digital Sound Projector genera.**
La mancanza di spazio per la ventilazione può causare il surriscaldarsi del Digital Sound Projector, e quindi incendi.
- **Non sospendersi dal Digital Sound Projector o dalla staffa a muro.**
Sospingendosi dal proiettore o dalla sua staffa si può far cadere il Digital Sound Projector o la staffa, causando infortuni.
- **Una volta che il Digital Sound Projector è installato, fare controlli di sicurezza ad intervalli regolari.**
Se il Digital Sound Projector viene usato per un lungo periodo, le viti si possono allentare e l'installazione indebolirsi a causa del passaggio del tempo, vibrazioni, ecc.

ACCESSORI

Controllare che la confezione contenga quanto segue.

Staffa di installazione a muro grande (SINISTRA) (x1)

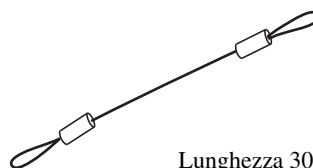
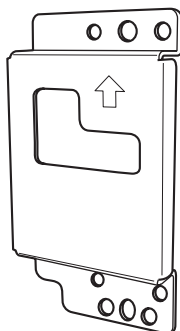
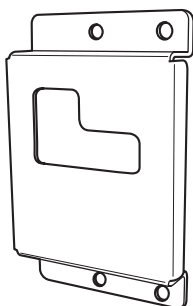
Staffa di installazione a muro grande (DESTRA) (x1)



Staffe di installazione a muro piccole (tipo A) (x2)

Staffe di installazione a muro piccole (tipo B) (x2)

Fili di sicurezza (x2)



Lunghezza 300 mm

Viti di fissaggio del proiettore (M6, 16 mm) (x6)

Viti di fissaggio del proiettore (M4, 10 mm) (x10)

Rondella (per M6, 16 mm di circonferenza esterna) (x4)



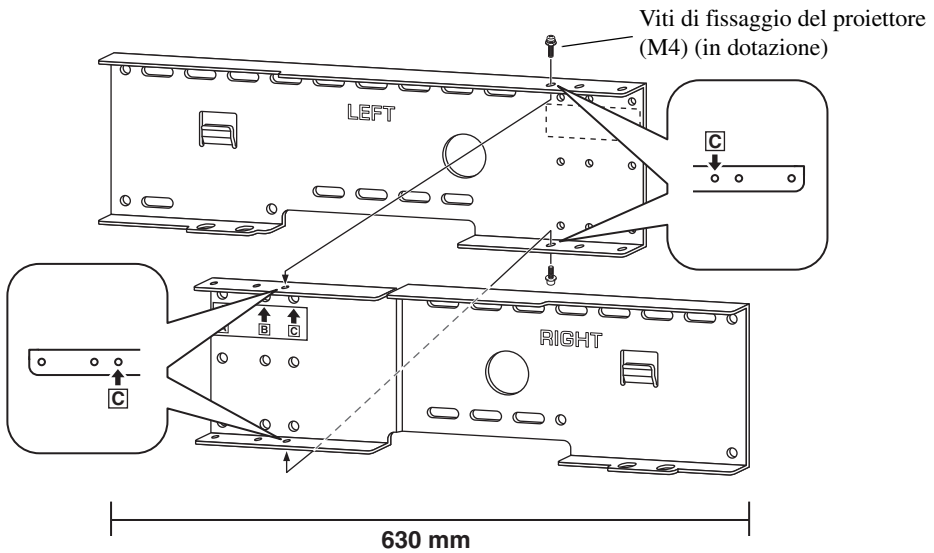
Nota

Preparare almeno sei set di viti ($\phi 4$ mm, 25 mm o più di lunghezza) e rondelle reperibili in commercio oltre agli accessori sopraindicati.

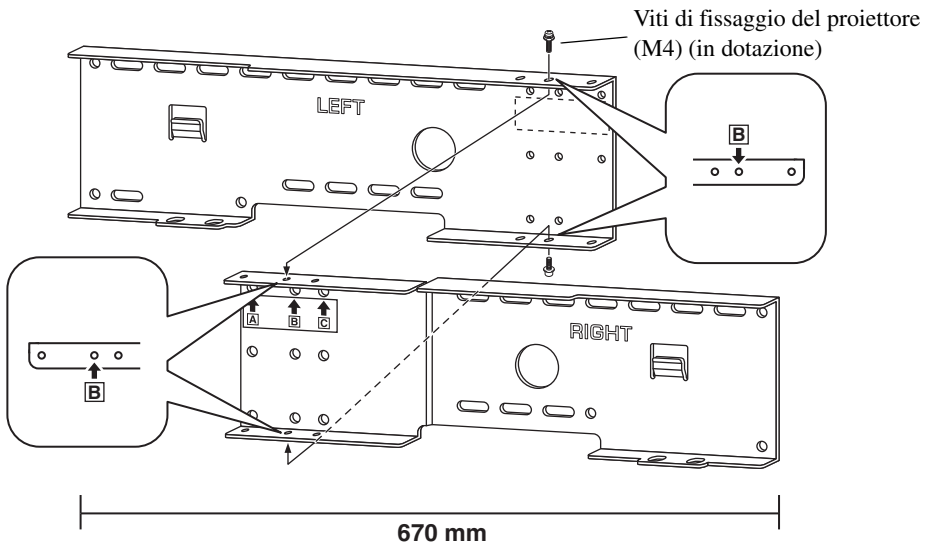
PROCEDURA DI MONTAGGIO

Le dimensioni dopo il montaggio variano a seconda del tipo di Digital Sound Projector. Prima di cominciare l'installazione, controllare le posizioni dei fori delle viti.

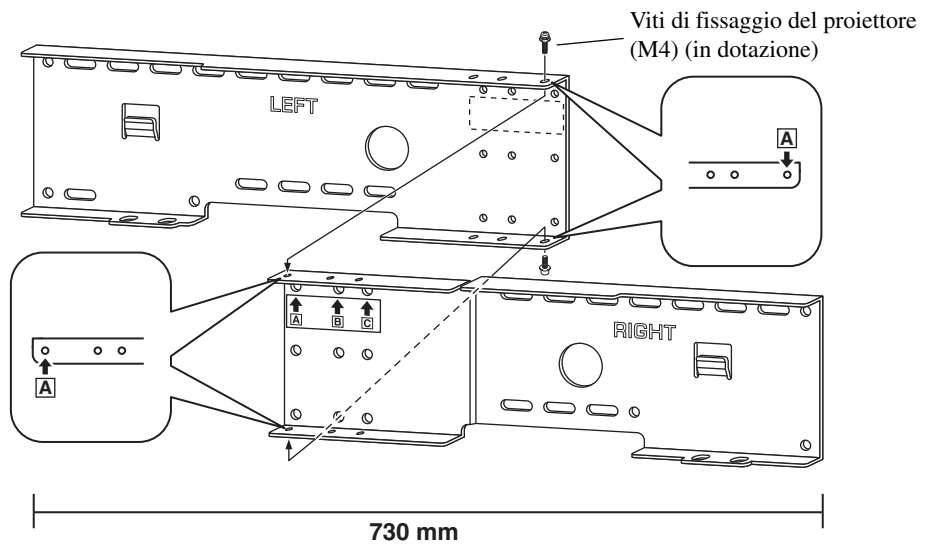
YSP-800, YSP-900



YSP-3000, YSP-30D, YSP-3050, HTY-7030



YSP-4000, YSP-40D, HTY-7040



PROCEDURA DI INSTALLAZIONE

Controllare che attorno all'unità vi sia spazio sufficiente per la sua ventilazione e seguire le istruzioni che seguono. Le illustrazioni usate in ciascuna fase sono esempi dei YSP-800 e dei YSP-900.

1 Applicare la grande staffa di installazione a muro su di un muro.

Per fermare quest'unità ad un muro è necessario applicare la staffa al muro in modo sicuro, tenendo in considerazione la qualità e la struttura del muro.

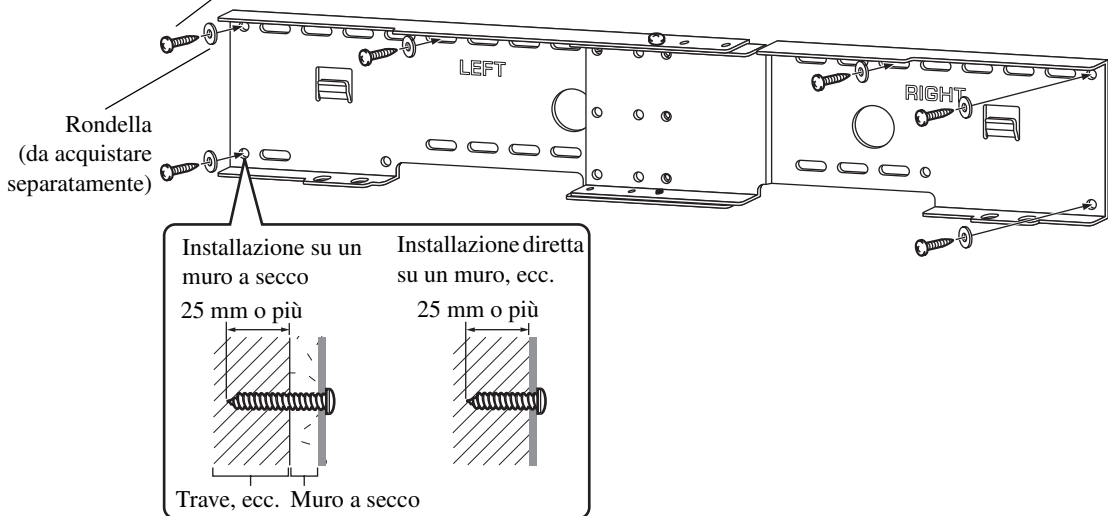
Scegliere una posizione dove il muro sia in grado di sostenere il peso dell'intera unità.

Prima di installare la staffa, accertarsi delle dimensioni (vedere "DIMENSIONI" nella prima pagina di questo manuale).

Esempio di installazione

Vite autofilettante da 4 mm (reperibile in commercio)

Per fissare l'unità al muro, avvitare dall'esterno sei (o più) viti autofilettanti attraverso i fori della staffa a muro.



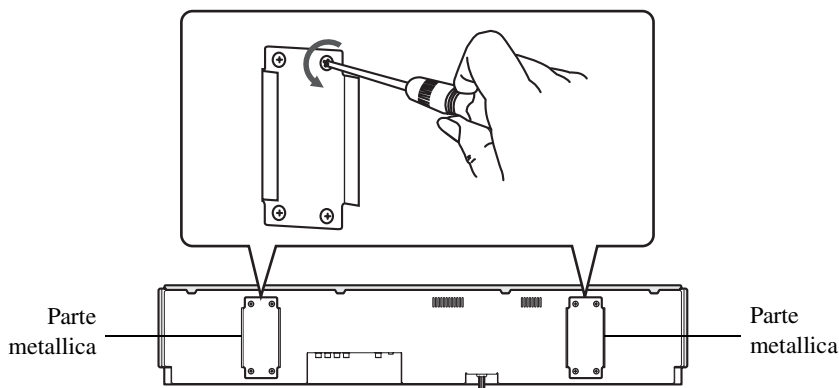
Nota

Scegliere un muro o una trave sicuri per fissare le viti. Non installare su muri costruiti con materiali deboli che possono sgretolarsi con facilità come malta o pannelli di compensato. Le viti allentate possono lasciar cadere il proiettore, causando infortuni.

2 Rimuovere le parti metalliche dal Digital Sound Projector. (Solo alcuni modelli YSP-800)

Se le parti metalliche sono applicate al pannello posteriore del Digital Sound Projector, toglierle dal lato sia destro che sinistro.

Se le parti metalliche non sono applicate al pannello posteriore del Digital Sound Projector, passare alla fase 3.



3 Applicare le staffe di installazione a muro piccole al Digital Sound Projector.

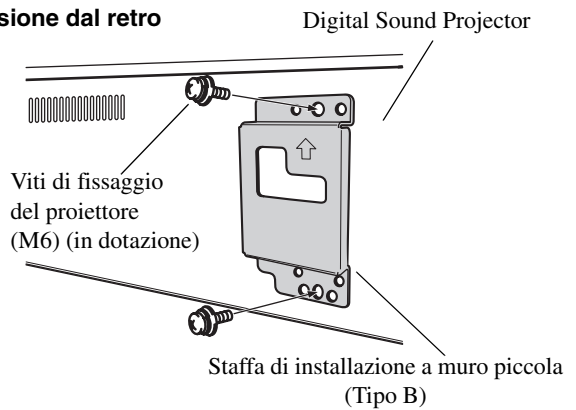
Le staffe di installazione a muro piccole da usare dipendono dal Digital Sound Projector. Per dettagli sul tipo di Digital Sound Projector e sulle staffe di installazione a muro compatibili con esso (tipo A o B), consultare la tabella seguente. Usare le viti di installazione del proiettore in dotazione (M6 x 4 per i YSP-4000, YSP-40D o HTY-7040 e M4 x 8 per gli altri modelli) per fissare le due staffe di installazione a muro piccole sulla destra e sulla sinistra del Digital Sound Projector.

Digital Sound Projector	Staffa di installazione a muro piccola
YSP-800 YSP-900	Tipo A
YSP-3000 YSP-30D YSP-3050 HTY-7030 YSP-4000 YSP-40D HTY-7040	Tipo B

Applicare le staffe ai lati posteriori destro e sinistro del Digital Sound Projector.

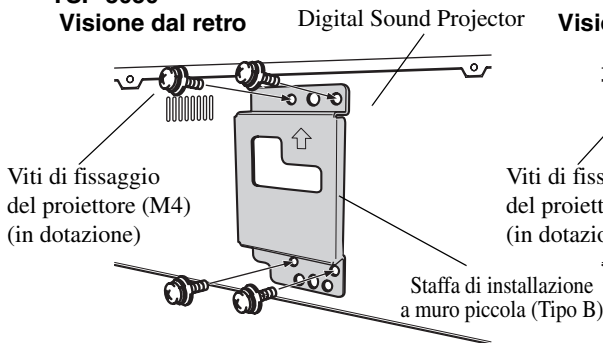
■ YSP-4000/YSP-40D/HTY-7040

Visione dal retro



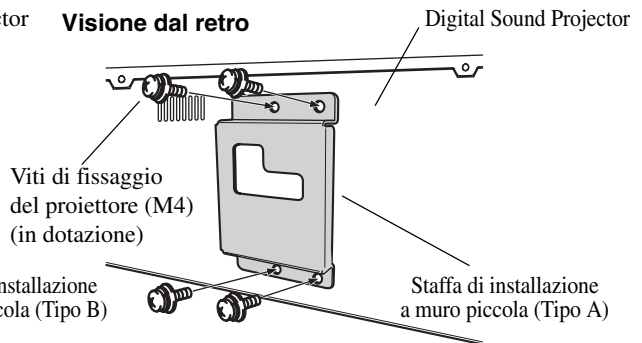
■ YSP-3000/YSP-30D/HTY-7030/ YSP-3050

Visione dal retro



■ YSP-800/YSP-900

Visione dal retro

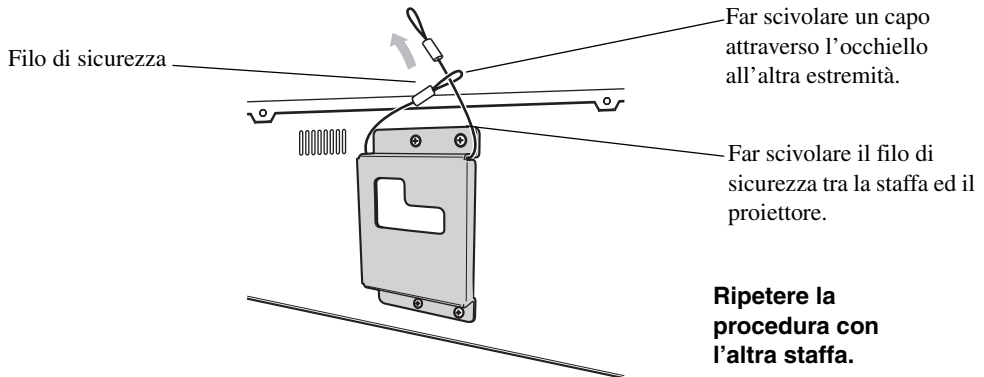


Note

- Nel caso del modello in cui le parti in metallo non sono in dotazione, sono presenti nei fori tappi in feltro. In questo caso, stringere le viti per forare il feltro.
- Se si stringono le viti inclinate, la filettatura nel proiettore audio potrebbe rovinarsi. Fare attenzione nell'usare attrezzi elettrici.

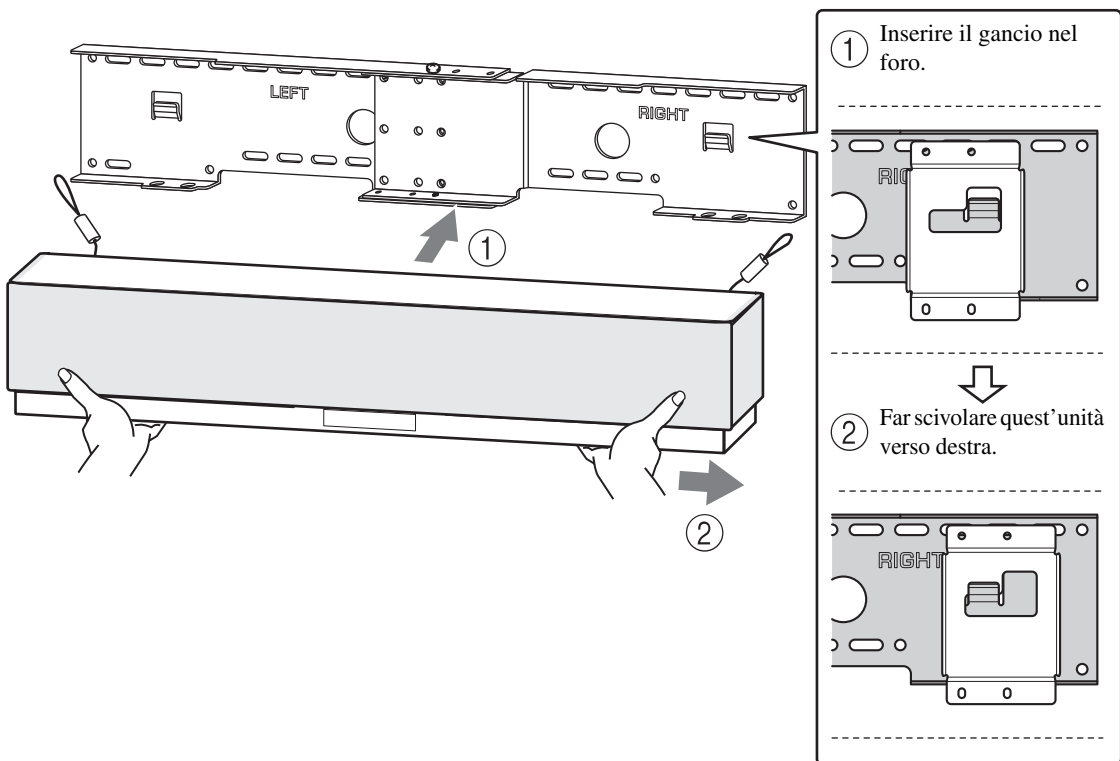
4 Applicare saldamente i fili di sicurezza.

Applicare il filo di sicurezza alla staffa a muro piccola per evitare la caduta del Digital Sound Projector.



5 Installare il Digital Sound Projector sul muro.

Inserire i ganci guida per l'installazione delle staffe piccole di installazione applicate al Digital Sound Projector nei fori sui lati sinistro e destro della staffa grande di installazione e quindi far scivolare quest'unità verso destra.



Nota

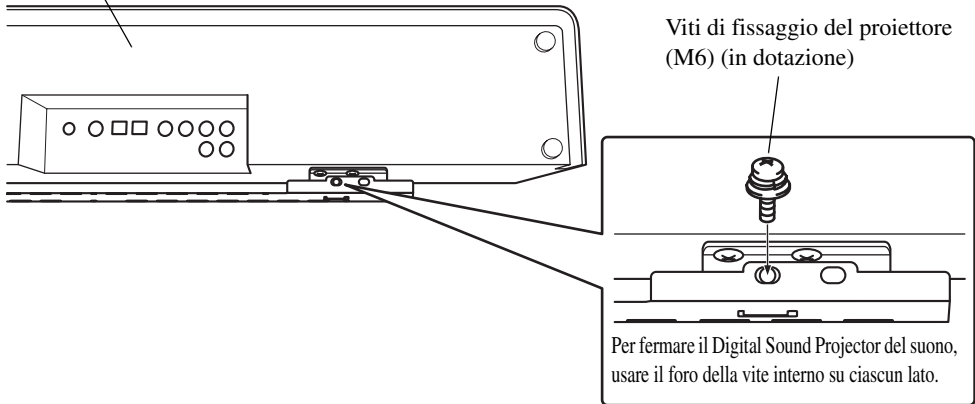
Tenere saldamente il Digital Sound Projector con entrambe le mani quando si installa o si rimuove il Digital Sound Projector dal muro. Una presa lenta del Digital Sound Projector potrebbe causarne la caduta e lesioni personali.

6 Fermare quest'unità.

Allineare i due fori della staffa di installazione a muro grande con i fori sul fondo delle staffe di installazione a muro piccole ed usare una delle due viti di installazione (M6 x 16) in dotazione per fermare quest'unità. Le posizioni dei fori delle viti varia a seconda del tipo di Digital Sound Projector. Consultare le seguenti illustrazioni e controllare che le posizioni dei fori delle viti usate per assicurare il Digital Sound Projector del suono siano corrette.

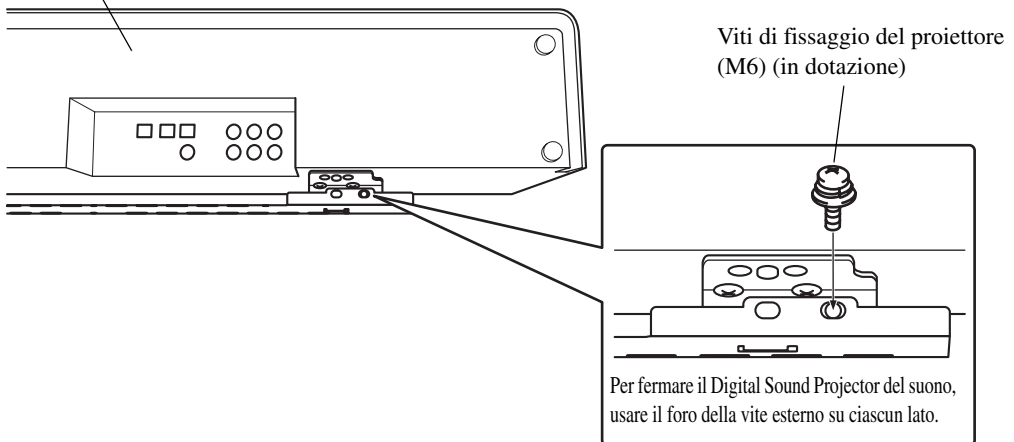
■ YSP-800/YSP-900

Digital Sound Projector **Visione dal basso**



■ YSP-3000/YSP-30D/YSP-3050/HTY-7030 YSP-4000/YSP-40D/HTY-7040

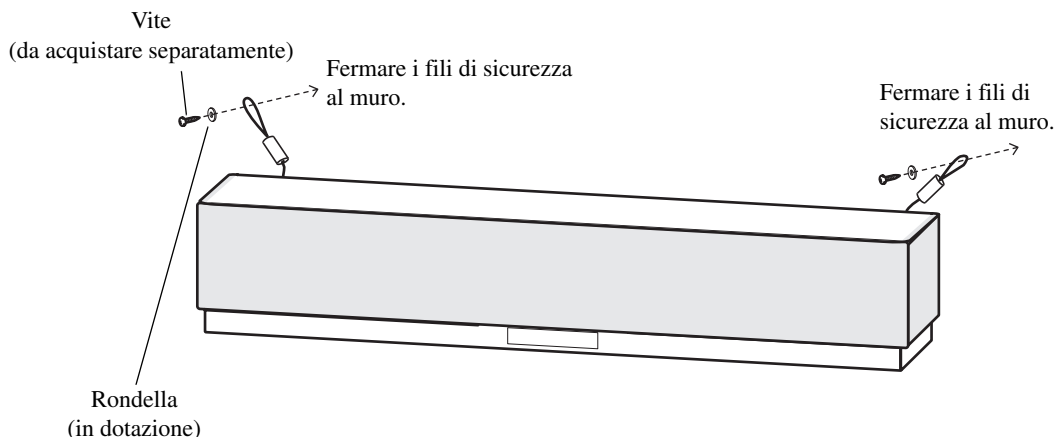
Digital Sound Projector **Visione dal basso**



7 Fermare i fili di sicurezza al muro.

Far passare le viti (reperibili in commercio) attraverso gli occhielli dei fili di sicurezza e quindi stringere le viti per fermare i fili di sicurezza al muro.

Controllare che le viti siano sufficientemente solide da sopportare il peso del Digital Sound Projector e delle staffe nel caso in cui cadano.



Note

- **Applicare saldamente i fili di sicurezza.**
- **Tenere le altre 2 rondelle per poterne fare uso in futuro.**

Garanzia limitata per l'Area Economica Europea (AEE) e la Svizzera

Vi ringraziamo per aver scelto un prodotto Yamaha. Nel caso raro in cui il vostro prodotto abbia bisogno di riparazioni in garanzia, entrare in contatto con il negozio in cui era stato acquistato. Se si avessero difficoltà, entrare in contatto con il rappresentante di Yamaha per il proprio paese. Sono disponibili maggiori dettagli nel nostro sito (www.yamaha-hifi.com/ o www.yamaha-uk.com/, per i residenti nel Regno Unito).

Il prodotto viene garantito esente da difetti di fabbricazione e di materiali per un periodo di due anni a partire dalla data di acquisto originale. Yamaha si impegna, entro i limiti delle condizioni illustrate di seguito, a riparare (o sostituire, a discrezione esclusiva di Yamaha) il prodotto difettoso o qualsiasi sua parte senza alcun addebito per le parti o per il lavoro. Yamaha si riserva il diritto di sostituire un prodotto con uno di tipo, valore e/o condizione simile nel caso un modello particolare non sia più in produzione o sia considerato troppo costoso da riparare.

Condizioni della garanzia

1. La fattura o ricevuta originale di pagamento (recante la data di acquisto, il numero di codice del prodotto e il nome del negozio di acquisto DEVE accompagnare sempre il prodotto difettoso unita ad una dichiarazione descrittiva del problema accusato. In mancanza di prova esaustiva dell'avvenuto acquisto, Yamaha si riserva in diritto di rifiutare di fornire riparazioni gratuite ed il prodotto può venire restituito a spese dell'utente.
2. Il prodotto DEVE esser stato acquistato da un rivenditore Yamaha AUTORIZZATO all'interno dell'Area Economica Europea (EEA) o in Svizzera.
3. Il prodotto non deve esser modificato o alterato se non dietro autorizzazione scritta di Yamaha.
4. Quanto segue viene escluso dalla presente garanzia:
 - a. Manutenzione periodica e riparazioni o sostituzione di pezzi dovute a normale invecchiamento.
 - b. Danni risultato di:
 - (1) Riparazioni eseguite dal cliente stesso o da terze parti non autorizzate.
 - (2) Imballaggio o trattamento inadeguato nel corso della spedizione del prodotto da parte del cliente. Tener presente che, al momento dell'invio del prodotto per riparazioni, è responsabilità del cliente l'assicurarsi che questo sia imballato adeguatamente.
 - (3) L'uso scorretto, compresi ma senza limitazioni (a) il mancato uso del prodotto per il suo scopo previsto o in accordo con le istruzioni di Yamaha per l'uso corretto, la manutenzione e la conservazione e (b) l'installazione o uso del prodotto in modo non conforme agli standard tecnici e di sicurezza in vigore nel paese di uso.
 - (4) Gli incidenti, i fulmini, l'acqua, gli incendi, la ventilazione scorretta, la perdita di acido dalle batterie o qualsiasi altra causa non sotto il controllo di Yamaha.
 - (5) Difetti di un sistema nel quale il prodotto è stato incorporato e/o incompatibilità con prodotti di terze parti.
 - (6) L'uso di un prodotto importato nella EEA e/o in Svizzera, non prodotto da Yamaha, nel caso il prodotto non sia conforme agli standard tecnici o di sicurezza del paese di uso e/o alle caratteristiche tecniche standard dei prodotti Yamaha da vendersi nell'AEE e/o in Svizzera.
 - (7) Prodotti non legati al campo AV (Audio Video).
(I prodotti soggetti allo "Yamaha AV Guarantee Statement" sono definiti nel sito www.yamaha-hifi.com/, o www.yamaha-uk.com/ nel caso dei residenti nel Regno Unito.)
5. Dove i termini della garanzia differiscono fra il paese di acquisto e il paese di uso del prodotto, vale la garanzia del paese di uso.
6. Yamaha non può venire considerata responsabile di perdite o danni, diretti, indiretti, consequenziali o di altro tipo, se non in termini di riparazione o sostituzione del prodotto.
7. Fare una copia di riserva di impostazioni o dati personalizzati, dato che Yamaha non può venire considerata responsabile di qualsiasi alterazione o perdita di tali impostazioni o dati.
8. Questa garanzia non influenza i diritti statuari dell'utente stabiliti dalle leggi applicabili in vigore o i diritti sul negoziante derivanti dal contratto di vendita/acquisto.

SOPORTE DE MONTAJE EN PARED

SPM-K30

Manual de instalación

Muchas gracias por haber adquirido el soporte de montaje en pared SPM-K30. Asegúrese de leer completamente este manual antes de usar este soporte. Guarde este manual después de leerlo para poder consultarlo en el futuro.

Cuando instale Digital Sound Projector con este soporte, todo el trabajo de instalación deberá hacerlo un contratista cualificado o el personal de su concesionario. El cliente no debe intentar nunca hacer este trabajo de instalación. Una instalación mal hecha puede ser la causa de que se caiga Digital Sound Projector, pudiendo causar lesiones a personas.

INSTRUCCIONES DE SEGURIDAD

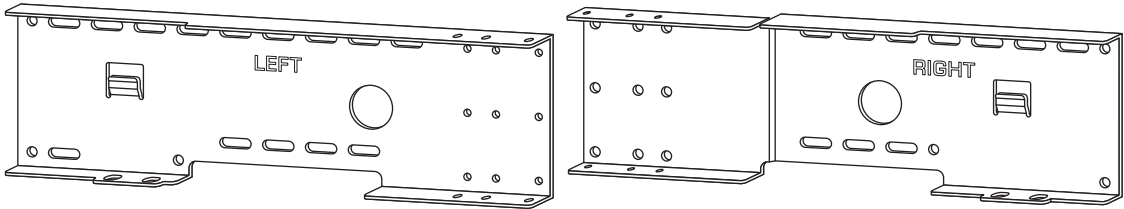
- **Siga siempre las instrucciones de este manual cuando instale Digital Sound Projector con este soporte.**
Una instalación mal hecha puede ser la causa de que se caiga Digital Sound Projector, pudiendo causar lesiones a personas.
- **La instalación deberá ser capaz de aguantar indefinidamente el peso Digital Sound Projector, el soporte y demás hardware, y también deberá ser capaz de aguantar las vibraciones.**
Una instalación mal hecha puede ser la causa de que se caiga Digital Sound Projector, pudiendo causar lesiones a personas.
- **Para garantizar la seguridad, todos los tornillos deben estar firmemente apretados.**
Los tornillos flojos pueden ser la causa de que se caiga Digital Sound Projector, pudiendo causar lesiones a personas.
- **Asegúrese de dejar un espacio de ventilación adecuado alrededor de la unidad para que se disipe el calor que genera Digital Sound Projector.**
Si no se proporciona un espacio adecuado alrededor de la unidad, el interior Digital Sound Projector se recalentará y podrá producirse un incendio.
- **No se cuelgue nunca Digital Sound Projector ni del soporte.**
Colgarse Digital Sound Projector o el soporte puede causar la caída de los mismos, lo que podría causar lesiones a personas.
- **Una vez instalado Digital Sound Projector, haga con frecuencia comprobaciones de seguridad.**
Si Digital Sound Projector se usa durante mucho tiempo, los tornillos podrán aflojarse y la instalación debilitarse debido al paso del tiempo, las vibraciones, etc.

ACCESORIOS

Asegúrese de que se incluyan las piezas siguientes.

Soporte de montaje en pared grande (Izquierdo) (x1)

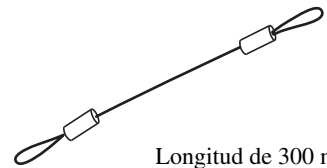
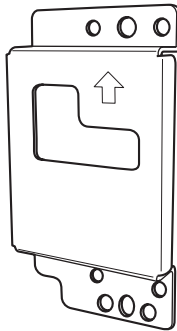
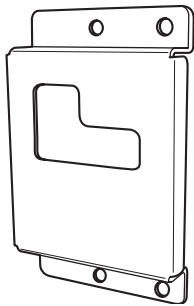
Soporte de montaje en pared grande (Derecho) (x1)



Soportes de montaje en pared pequeños (Tipo A) (x2)

Soportes de montaje en pared pequeños (Tipo B) (x2)

Cables de seguridad (x2)



Tornillos de montaje del proyector (M6, 16 mm) (x6)

Tornillos de montaje del proyector (M4, 10 mm) (x10)

Arandela (para M6, 16 mm de circunferencia exterior) (x4)



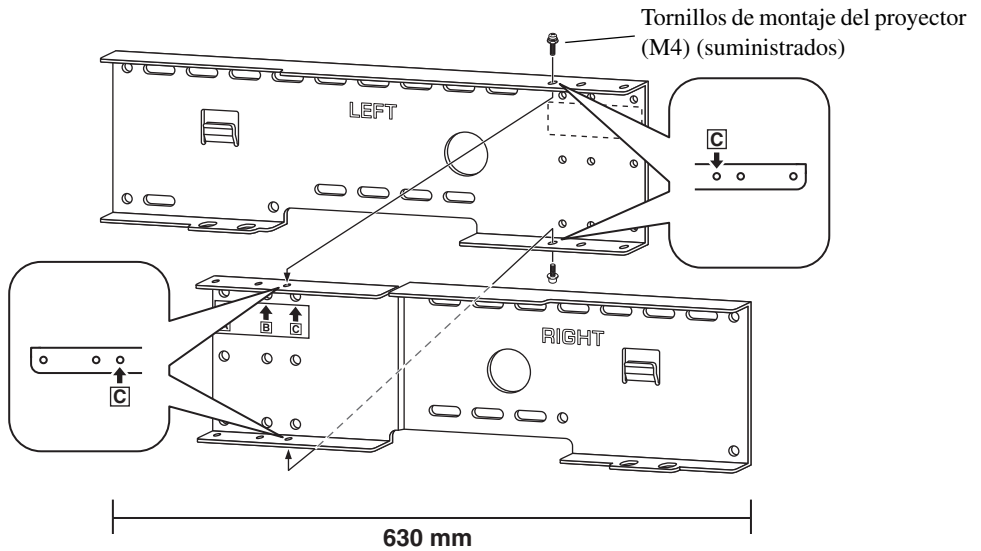
Nota

Además de los accesorios mostrados arriba, prepare un mínimo de seis juegos de tornillos y arandelas de venta en el comercio ($\phi 4$ mm, 25 mm de longitud o más).

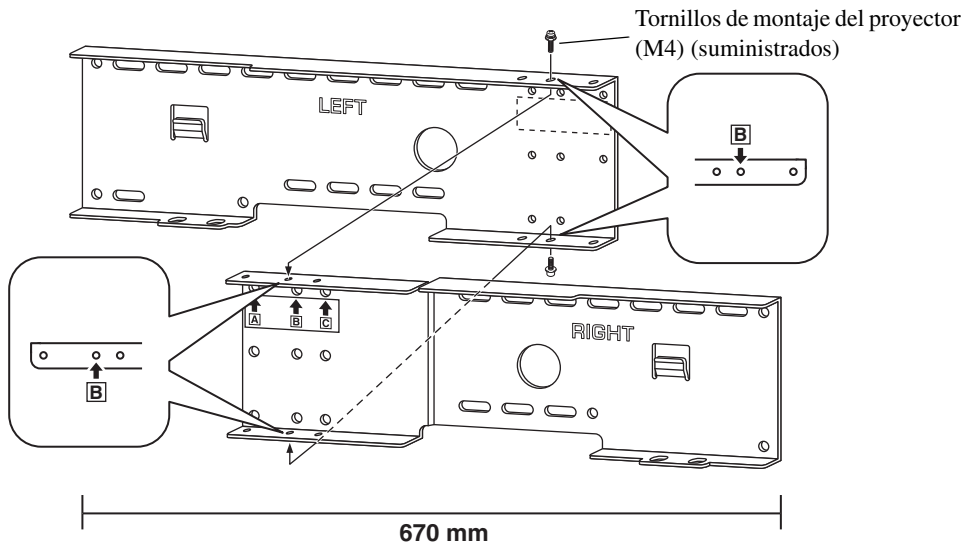
PROCEDIMIENTO DE ENSAMBLAJE

Las dimensiones después de ensambladas las piezas cambian dependiendo del tipo Digital Sound Projector. Compruebe las posiciones de los agujeros de los tornillos antes de ensamblar las piezas.

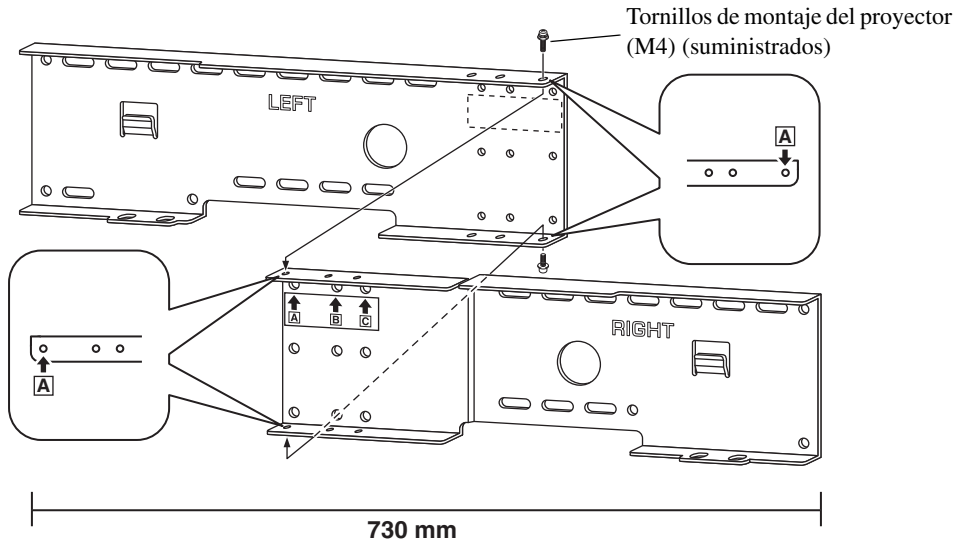
YSP-800, YSP-900



YSP-3000, YSP-30D, YSP-3050, HTY-7030



YSP-4000, YSP-40D, HTY-7040



PROCEDIMIENTO DE INSTALACIÓN

Asegúrese de dejar un espacio de ventilación adecuado alrededor de la unidad y siga las instrucciones de abajo. Las ilustraciones usadas en cada paso son ejemplos del YSP-800 y del YSP-900.

1 Coloque el soporte de montaje en pared grande en la pared.

Para asegurar la unidad en la pared necesitará colocar primero el soporte teniendo en cuenta la estructura y la calidad de la pared.

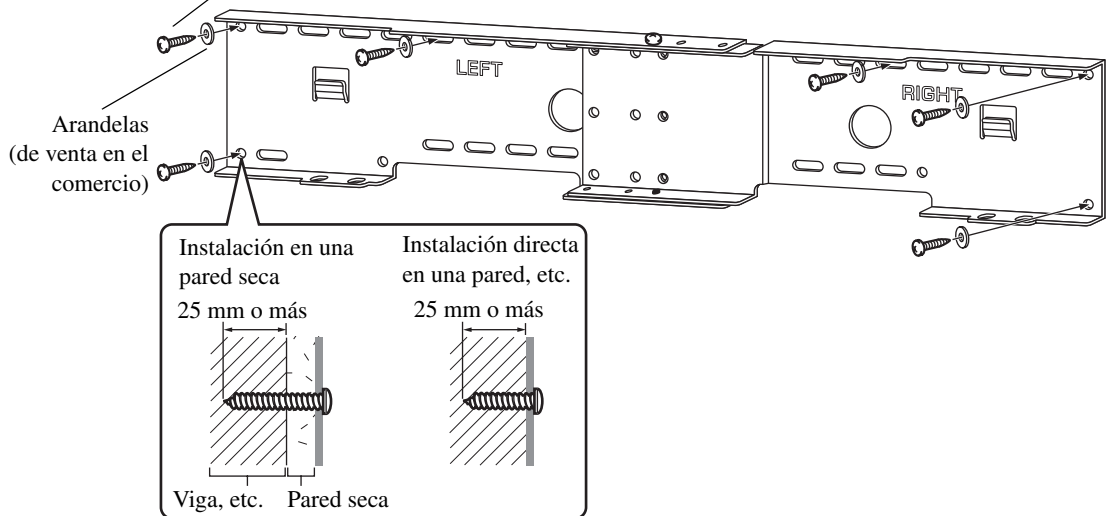
Elija un lugar donde la pared pueda aguantar el peso de toda la unidad.

Antes de instalar el soporte, asegúrese del tamaño (vea "DIMENSIONES" en la primera página de este manual).

Ejemplo de instalación

Tornillo autorroscante de 4 mm (de venta en el comercio)

Para asegurar la unidad en la pared, meta seis tornillos autorroscantes (o más) desde el exterior a través de los agujeros del soporte de montaje en pared.

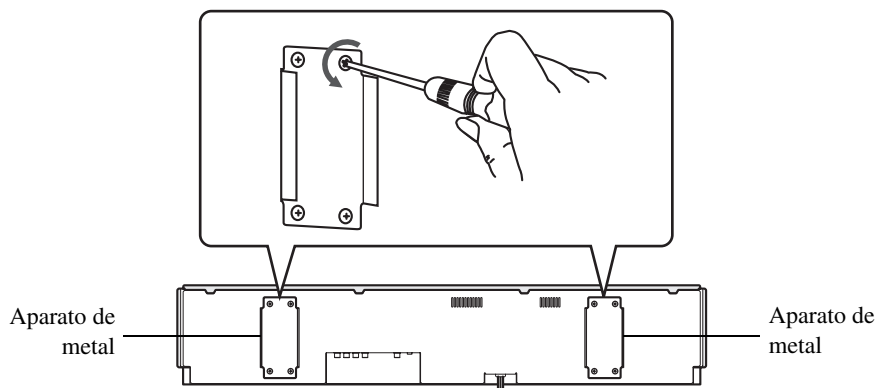


Nota

Elija una pared o viga firme para colocar los tornillos. No los instale en paredes de materiales blandos como, por ejemplo, mortero o madera contrachapada de donde puedan caerse fácilmente. Los tornillos flojos pueden ser la causa de que se caiga el proyector, pudiendo causar lesiones a personas.

2 Separe los aparatos de metal Digital Sound Projector. (Algunos modelos del YSP-800 solamente)

Si los aparatos de metal están colocados en el panel trasero de su Digital Sound Projector, sepárelos de los lados izquierdo y derecho. Si los aparatos de metal no están colocados en el panel trasero de su Digital Sound Projector, vaya al paso 3.



3 Coloque los soportes de montaje en pared pequeños en Digital Sound Projector.

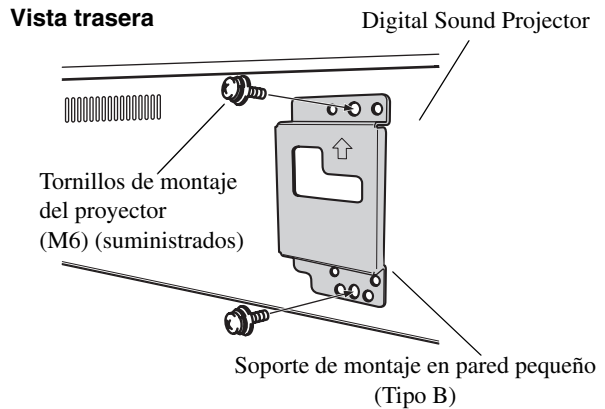
Los soportes de montaje en pared pequeños cambian dependiendo del tipo Digital Sound Projector. Consulte la tabla siguiente para tener detalles del tipo Digital Sound Projector y de los soportes de montaje en pared pequeños compatibles (Tipo A o B).

Utilice los tornillos de montaje del proyector suministrados (M6 x 4 para el YSP-4000, YSP-40D o HTY-7040 y M4 x 8 para otros modelos) para colocar firmemente los dos soportes de montaje en pared en los lados traseros izquierdo y derecho Digital Sound Projector.

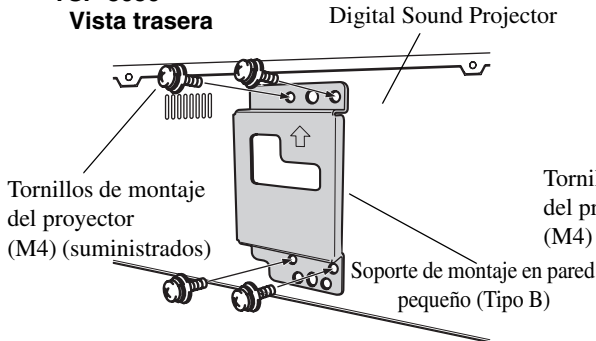
Digital Sound Projector	Soporte de montaje en pared pequeño
YSP-800 YSP-900	Tipo A
YSP-3000 YSP-30D YSP-3050 HTY-7030 YSP-4000 YSP-40D HTY-7040	Tipo B

Coloque los soportes en los lados traseros derecho e izquierdo Digital Sound Projector.

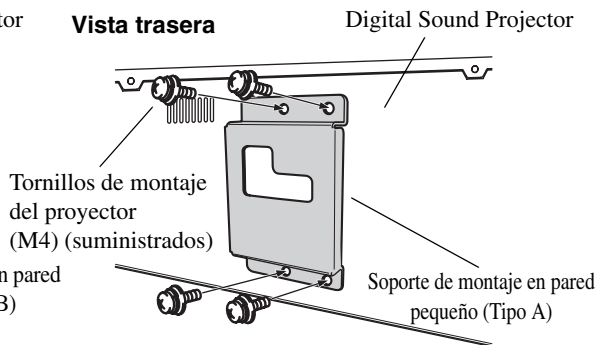
■ YSP-4000/YSP-40D/HTY-7040



■ YSP-3000/YSP-30D/HTY-7030/ YSP-3050



■ YSP-800/YSP-900

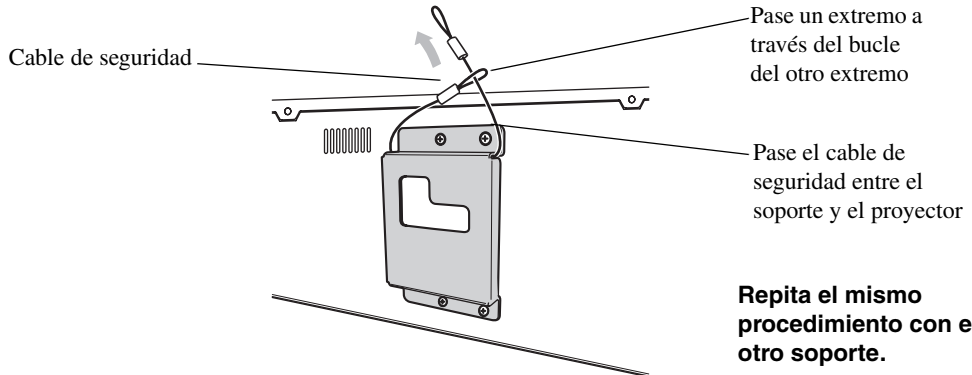


Notas

- Si la unidad es del modelo en el que no se colocan aparatos metálicos, habrá cubiertas de fieltro en los agujeros. En este caso, apriete los tornillos para perforar las cubiertas de fieltro.
- Si aprieta los tornillos inclinados, las roscas del proyector podrán romperse. Tenga cuidado cuando use herramientas eléctricas.

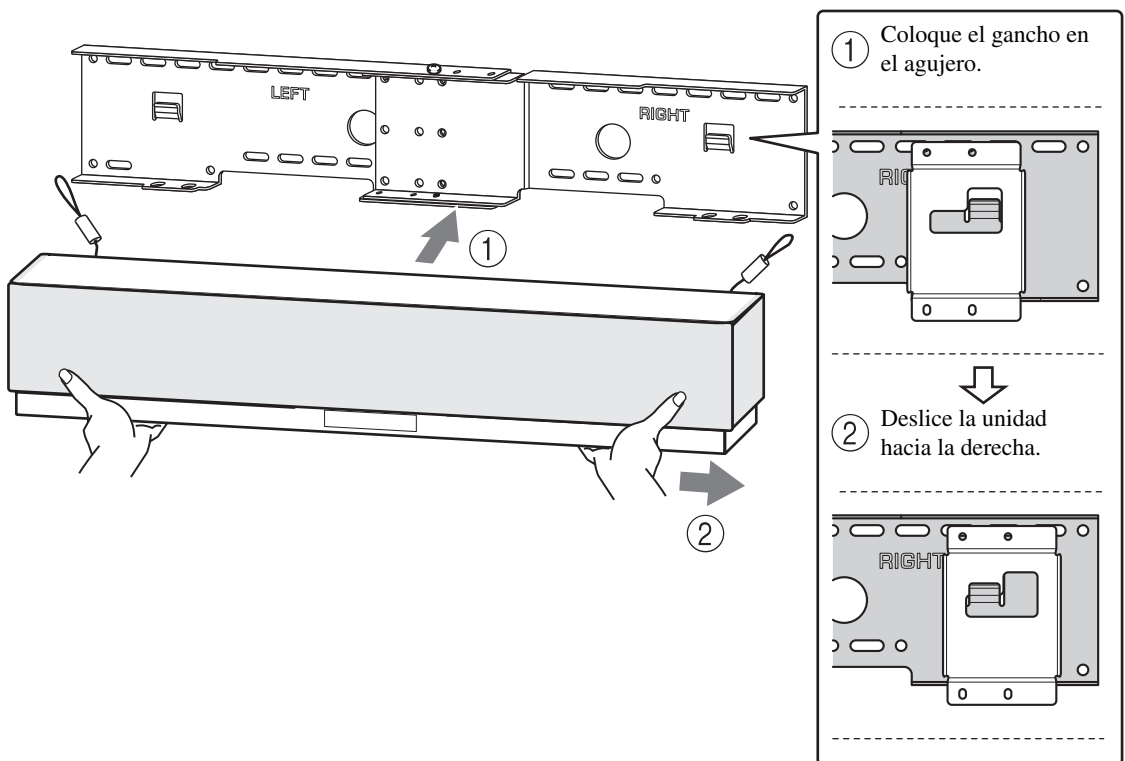
4 Coloque el cable de seguridad.

Coloque el cable de seguridad en el soporte de montaje en pared pequeño para impedir que se caiga Digital Sound Projector.



5 Monte Digital Sound Projector en la pared.

Fije los ganchos de guía de montaje de los soportes de montaje en pared pequeños, colocados en Digital Sound Projector, en los agujeros de los lados derecho e izquierdo del soporte de montaje en pared grande, y luego deslice la unidad hacia la derecha.



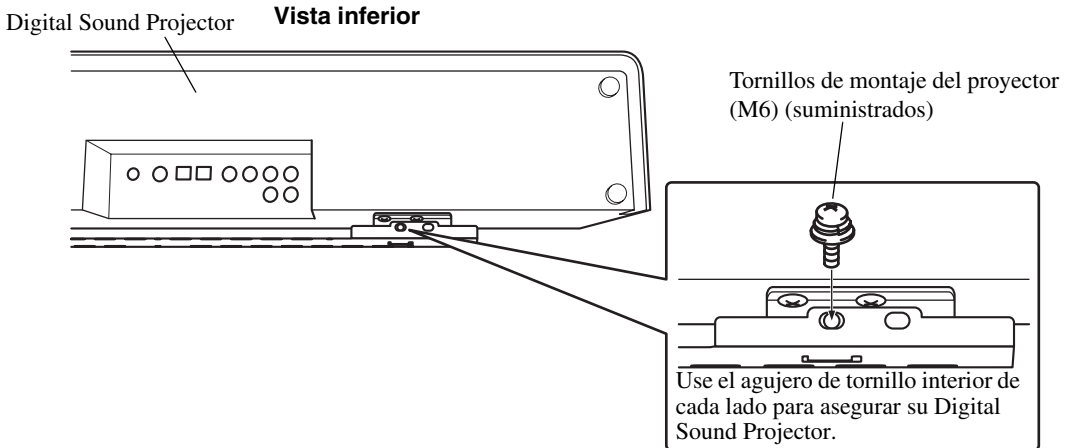
Nota

Sujete bien Digital Sound Projector con ambas manos cuando lo coloque en una pared o lo desmonte de ella. Sujetar mal Digital Sound Projector puede ser la causa de que éste se caiga y cause heridas a personas.

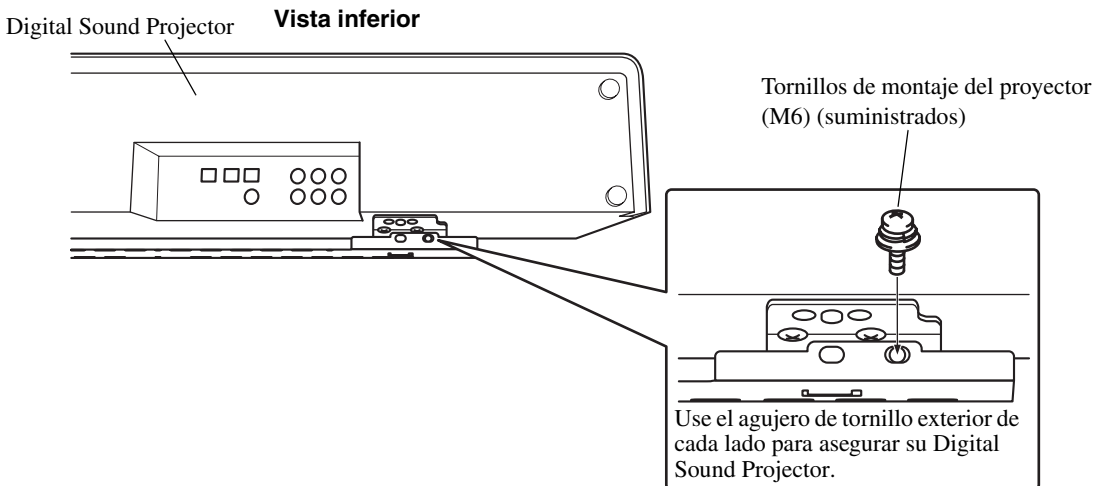
6 Asegure la unidad.

Alinee los agujeros del soporte de montaje en pared grande con los agujeros del fondo de los soportes de montaje en pared pequeños, y luego utilice dos de los tornillos de montaje del proyector (M6 x 16) suministrados para asegurar la unidad. Las posiciones de los agujeros de los tornillos cambian dependiendo del tipo Digital Sound Projector. Compruebe las ilustraciones siguientes y las posiciones correctas de los agujeros de los tornillos usados para asegurar Digital Sound Projector.

■ YSP-800/YSP-900



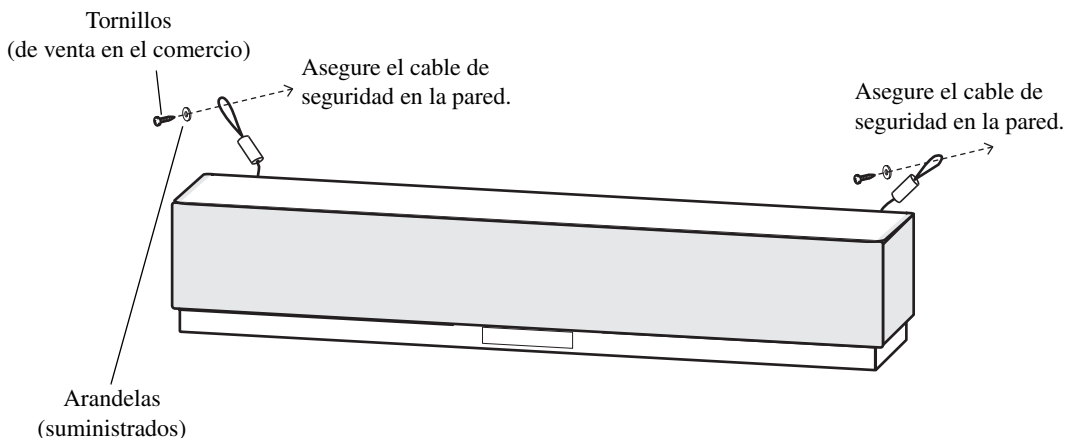
■ YSP-3000/YSP-30D/YSP-3050/HTY-7030/ YSP-4000/YSP-40D/HTY-7040



7 Coloque los cables de seguridad en la pared.

Pase los tornillos (de venta en el comercio) por los bucles de los cables de seguridad y luego apriételes para asegurar los cables de seguridad en la pared.

Asegúrese de que los tornillos sean suficientemente fuertes como para aguantar el peso Digital Sound Projector y los soportes.



Notas

- Coloque firmemente los cables de seguridad.
- Guarde las otras 2 arandelas por si tiene que usarlas en el futuro.

Garantía limitada para el Área Económica Europea (AEE) y Suiza

Gracias por haber elegido un producto Yamaha. En el caso poco probable de que su producto Yamaha necesite el servicio que concede la garantía, póngase en contacto por favor con el concesionario a quien adquirió el producto. Si usted tiene alguna dificultad, póngase en contacto por favor con la oficina representativa de Yamaha en su país. Podrá encontrar todos los detalles necesarios en nuestros sitios Web (www.yamaha-hifi.com/ o www.yamaha-uk.com/ para los residentes del Reino Unido).

El producto tiene una garantía de dos años, a partir de la fecha de la compra original, que cubre las reparaciones de las averías que pueda tener debido a defectos en la mano de obra o en los materiales empleados en su fabricación. Yamaha se compromete, sujeto a las condiciones listadas más abajo, a reparar el producto o cualquier pieza (o piezas) que tenga defectos, o a sustituirlo, a discreción de Yamaha, sin cobrar ningún honorario por las piezas o la mano de obra. Yamaha se reserva el derecho de reemplazar un producto por otro de clase y/o precio y condiciones similares, en el caso de que éste no se fabrique más o se considere que las reparaciones resultan poco económicas.

Condiciones de la garantía

1. El producto defectuoso DEBERÁ ir acompañado de la factura o recibo de venta original (que muestre la fecha de la compra, el código del producto y el nombre del concesionario), junto con una explicación que describa detalladamente la avería. Si falta esta prueba clara de la compra, Yamaha se reserva el derecho a no proveer el servicio de reparaciones gratis, y el producto podrá ser devuelto al cliente corriendo éste con todos los gastos relacionados con el envío.
2. El producto DEBERÁ haber sido adquirido en el establecimiento de un concesionario Yamaha AUTORIZADO dentro del Área Económica Europea (AEE) o Suiza.
3. El producto no deberá haber sido sometido a ninguna modificación ni alteración, a menos que ésta haya sido autorizada por escrito por Yamaha.
4. De esta garantía se excluye lo siguiente:
 - a. El mantenimiento periódico y la reparación o sustitución de piezas debidos al desgaste natural.
 - b. Los daños debidos a:
 - (1) Reparaciones realizadas por el propio cliente o por un tercero que no cuente con ninguna autorización.
 - (2) Embalaje inadecuado o maltrato, cuando el producto está siendo transportado desde el lugar de residencia del cliente. Tenga en cuenta que el cliente es el responsable de embalar el producto adecuadamente cuando éste es devuelto para ser reparado.
 - (3) Mal uso, incluyendo, pero sin limitarse a: (a) no usar el producto de forma normal o no seguir las instrucciones de uso, mantenimiento y almacenamiento apropiadas indicadas por Yamaha, y (b) instalación o uso del producto de forma inconsistente con las normas técnicas o de seguridad vigentes en el país donde éste se utiliza.
 - (4) Accidentes, rayos, agua, fuego, ventilación inadecuada, fuga de pilas o cualquier otra causa fuera del control de Yamaha.
 - (5) Defectos del sistema en el que se incorpora este producto e/o incompatibilidad con productos de terceros.
 - (6) Uso de un producto importado en la EEA y/o Suiza, no por Yamaha, donde ese producto no cumple con las normas técnicas o de seguridad del país donde se usa y/o con la especificación estándar de un producto vendido por Yamaha en la EEA y/o en Suiza.
 - (7) Productos que no están relacionados con AV (audiovisual).
(Los productos sujetos a la "Declaración de Garantía de AV de Yamaha" se definen en nuestro sitio Web www.yamaha-hifi.com/ o www.yamaha-uk.com/ para los residentes del Reino Unido.)
5. Cuando las garantías del país donde se compra el producto y del país donde éste se usa son diferentes se aplicará la garantía del país donde se usa el producto.
6. Yamaha no se hará responsable de ninguna pérdida o daño directo, emergente o de cualquier otro tipo; sólo se hará responsable de la reparación o sustitución del producto.
7. Haga una copia de seguridad de cualquier configuración o datos personalizados, ya que Yamaha no se hará responsable de ninguna alteración o pérdida que tal configuración o datos puedan sufrir.
8. Esta garantía no afecta a los derechos legales del consumidor bajo las leyes nacionales aplicables vigentes, ni a los derechos del consumidor contra el concesionario surgidos de su contrato de venta/compra.

WANDBEVESTIGINGSBEUGEL

SPM-K30

Installatiehandleiding

Hartelijk dank voor het aanschaffen van deze SPM-K30 Wandbevestigingsbeugel. Lees deze handleiding zorgvuldig door voor u deze beugel gaat gebruiken. Bewaar deze handleiding na gebruik zodat u er later nog iets in kunt opzoeken.

Wanneer de Digital Sound Projector wordt geïnstalleerd met deze beugel, dienen alle installatiewerkzaamheden te worden uitgevoerd door daartoe bevoegd personeel of door of vanwege de dealer. De gebruiker mag in geen geval proberen deze installatiewerkzaamheden zelf uit te voeren. Door een onjuiste of ondeugdelijke installatie kan de Digital Sound Projector vallen, hetgeen kan leiden tot persoonlijk letsel.

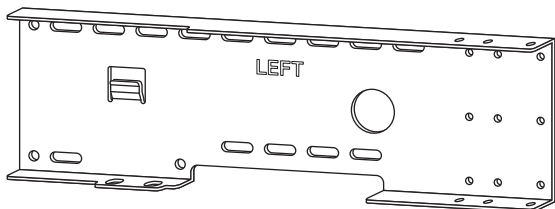
VEILIGHEIDSINSTRUCTIES

- **Volg de instructies in deze handleiding voor de installatie van de Digital Sound Projector met behulp van deze beugel stipt op.**
Door een onjuiste of ondeugdelijke installatie kan de Digital Sound Projector vallen, hetgeen kan leiden tot persoonlijk letsel.
- **De bevestiging moet stevig genoeg zijn om het gewicht van de Digital Sound Projector, de beugel en eventuele andere apparatuur onvoorwaardelijk te kunnen dragen en moet ook bestand zijn tegen trillingen.**
Door een onjuiste of ondeugdelijke installatie kan de Digital Sound Projector vallen, hetgeen kan leiden tot persoonlijk letsel.
- **Met het oog op uw en andermans veiligheid dienen alle schroeven stevig te worden aangedraaid.**
Door loszittende schroeven kan de Digital Sound Projector vallen, hetgeen kan leiden tot persoonlijk letsel.
- **Zorg voor voldoende ventilatieruimte rond het toestel zodat de door de Digital Sound Projector geproduceerde warmte kan ontsnappen.**
Onvoldoende ruimte rond het toestel kan leiden tot oververhitting van de Digital Sound Projector, hetgeen kan leiden tot brand.
- **Ga niet aan de Digital Sound Projector of aan de wandbeugel hangen.**
Hangen aan de Digital Sound Projector of aan de wandbeugel kan de Digital Sound Projector of beugel onverwacht los doen komen, hetgeen kan leiden tot persoonlijk letsel.
- **Voer na de installatie van de Digital Sound Projector regelmatig veiligheidsinspecties uit.**
Wanneer de Digital Sound Projector langere tijd gebruikt in gebruik is, kunnen er schroeven los komen te zitten en kan de bevestiging mettertijd, door blootstelling aan trillingen enz. aan kracht inboeten.

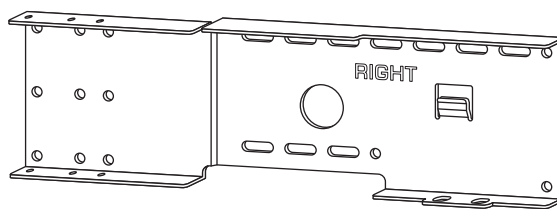
TOEBEHOREN

Controleer of u alle volgende onderdelen inderdaad ontvangen heeft.

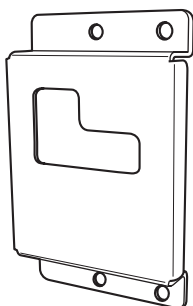
Grote wandbevestigingsbeugel (Links) (x1)



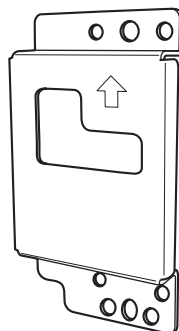
Grote wandbevestigingsbeugel (Rechts) (x1)



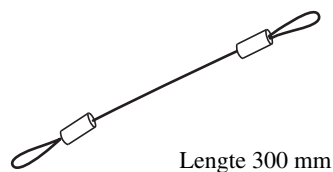
Kleine wandbevestigingsbeugels
(Type A) (x2)



Kleine wandbevestigingsbeugels
(Type B) (x2)



Veiligheidsdraden (x2)



Projector bevestigingsschroeven
(M6, 16 mm) (x6)



Projector bevestigingsschroeven
(M4, 10 mm) (x10)



Tussenring (voor M6, 16 mm
buitendiameter) (x4)



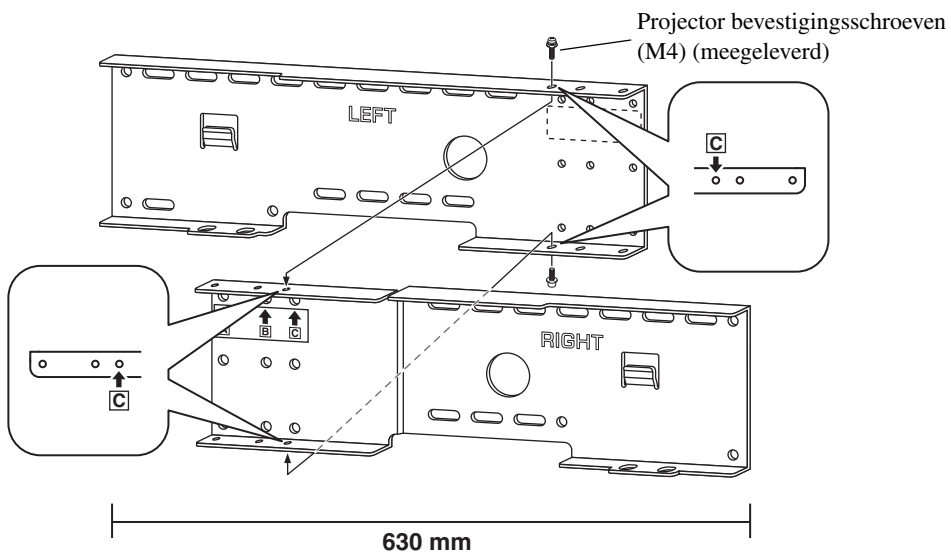
Opmerking

Zorg voor tenminste zes in de handel verkrijgbare sets zelftappende schroeven ($\phi 4$ mm, 25 mm of langer) en tussenringen in aanvulling op de hierboven getoonde accessoires.

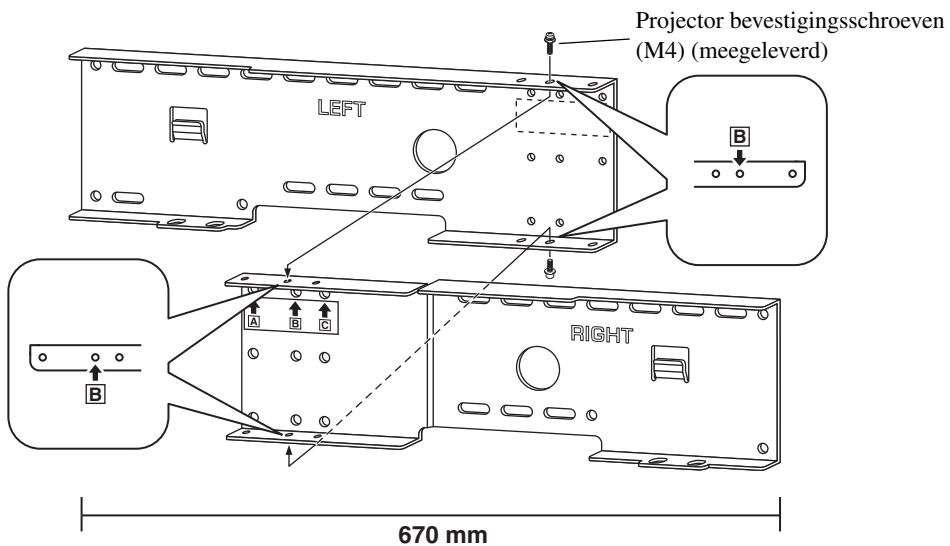
MONTAGE PROCEDURE

De afmetingen na montage van de onderdelen verschillen aan de hand van het type Digital Sound Projector. Controleer de locaties van de schroefgaatjes voor u de onderdelen monteert.

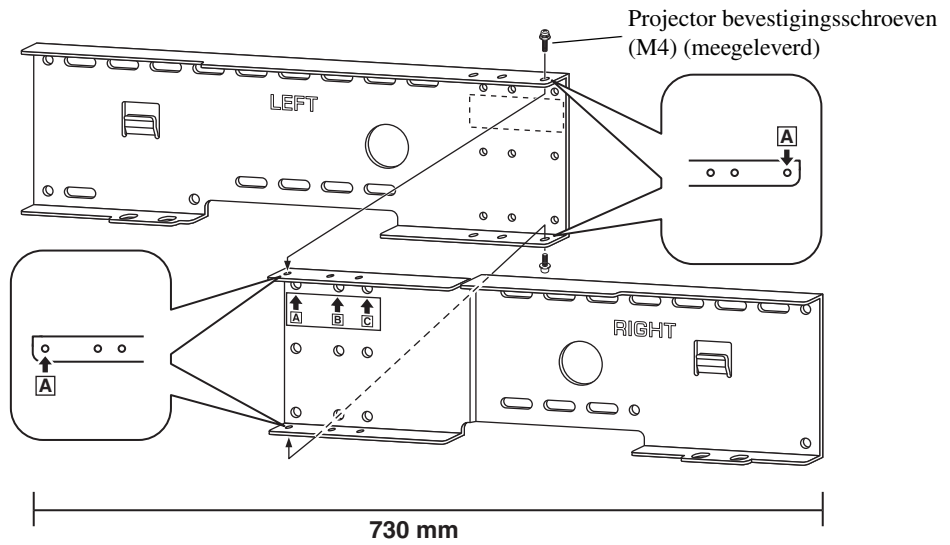
YSP-800, YSP-900



YSP-3000, YSP-30D, YSP-3050, HTY-7030



YSP-4000, YSP-40D, HTY-7040



INSTALLATIEPROCEDURE

Zorg voor voldoende ventilatieruimte rond het toestel en volg de onderstaande instructies. De illustraties gebruikt voor elke stap gebruiken de YSP-800 en YSP-900 als voorbeeld.

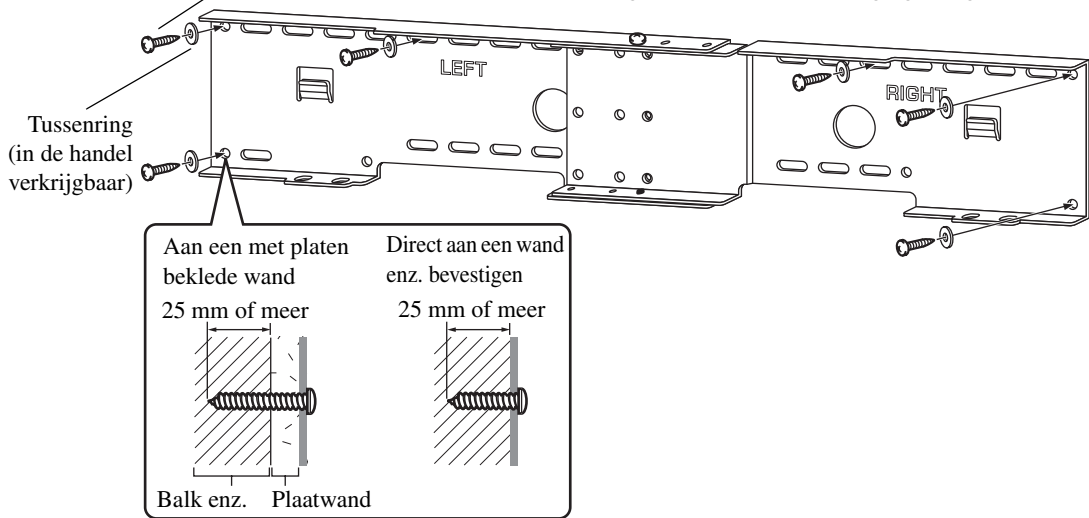
1 Bevestig de grote wandbevestigingsbeugel aan de wand.

Om het toestel aan de wand te bevestigen dient u eerst de beugel aan de wand vast te maken op een deugdelijke en voor de constructiewijze van de wand geschikte manier. Kies een plek waar de wand sterk genoeg is om het volledige gewicht van de installatie te dragen. Controleer de afmetingen voor u de beugel gaat installeren (zie "AFMETINGEN" op de eerste bladzijde van deze handleiding).

Installatievoorbeeld

4 mm Zelftappende schroef (in de handel verkrijgbaar)

Om het toestel aan de wand te bevestigen, dient u zes (of meer) zelftappende schroeven van buiten af door de gaten in de wandbevestigingsbeugel te draaien.

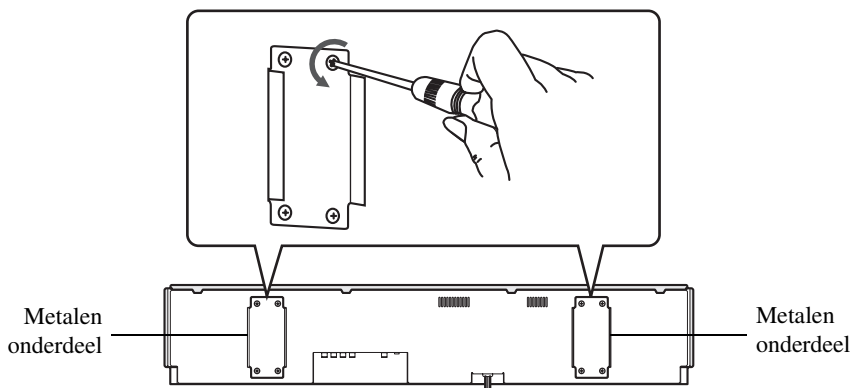


Opmerking

Kies een stevige plek of balk om de schroeven in te draaien. Draai de schroeven niet in op een plek waar het materiaal te zwak is of gemakkelijk los komt, zoals in de mortel tussen stenen, of in een wandplaat zonder balk erachter. Door loszittende schroeven kan de projector vallen, hetgeen kan leiden tot persoonlijk letsel.

2 Maak het metalen onderdeel los van de Digital Sound Projector. (Alleen voor sommige modellen YSP-800)

Als er metalen onderdelen of bevestigingen op het achterpaneel van uw Digital Sound Projector aanwezig zijn, dient u deze te verwijderen, zowel van de linker- als van de rechterkant. Als er geen metalen bevestigingen aanwezig zijn op het achterpaneel van uw Digital Sound Projector, kunt u doorgaan naar stap 3.



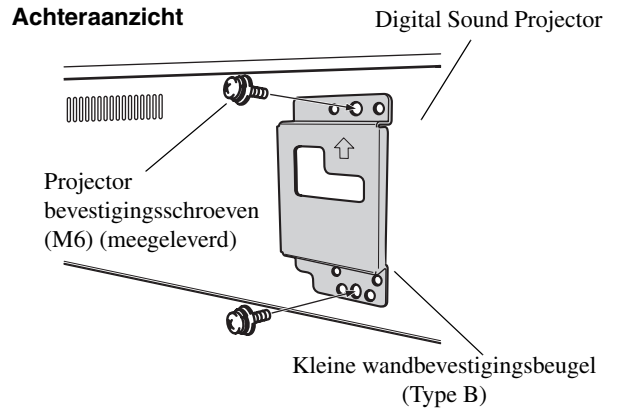
3 Bevestig de kleine wandbevestigingsbeugels aan de Digital Sound Projector.

Welke kleine wandbevestigingsbeugels u moet gebruiken hangt af van het type Digital Sound Projector. Raadpleeg de volgende tabel voor details omtrent het type Digital Sound Projector en de daarvoor geschikte wandbevestigingsbeugels (Type A of B). Gebruik de meegeleverde bevestigingsschroeven voor de projector (M6 x 4 voor de YSP-4000, YSP-40D of HTY-7040 en M4 x 8 voor andere modellen) om de twee kleine wandbevestigingsbeugels goed vast te zetten aan de achterkant, links en rechts van de Digital Sound Projector.

Digital Sound Projector	Kleine wandbevestigingsbeugel
YSP-800 YSP-900	Type A
YSP-3000 YSP-30D YSP-3050 HTY-7030 YSP-4000 YSP-40D HTY-7040	Type B

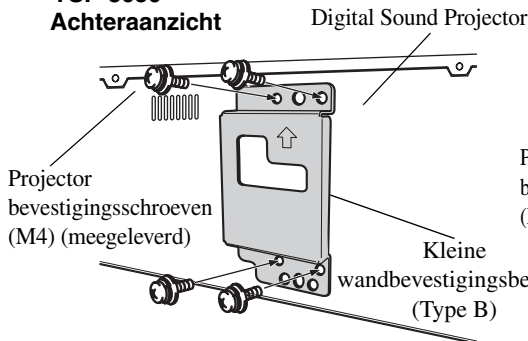
Bevestig de beugels links en rechts aan de achterkant van de Digital Sound Projector.

■ YSP-4000/YSP-40D/HTY-7040

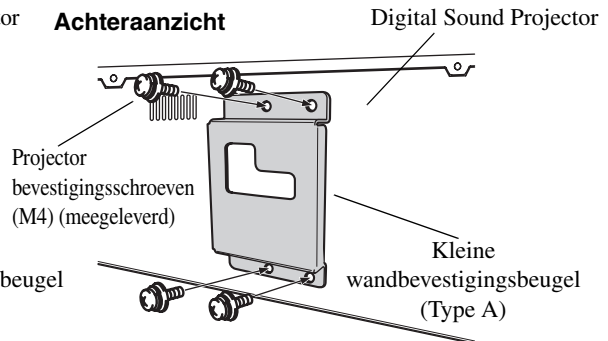


■ YSP-3000/YSP-30D/HTY-7030/ YSP-800/YSP-900

Achteraanzicht



Achteraanzicht

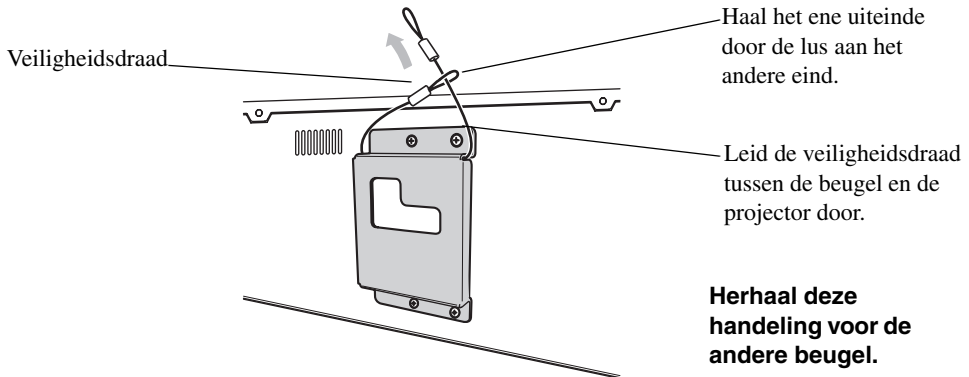


Opmerkingen

- Bij modellen die zonder metalen bevestigingen geleverd worden, worden de schroefgaten afgedekt door stukjes vilt. Draai in dit geval de schroeven door de stukjes vilt heen vast.
- Als u de schroeven scheef indraait, kan de schroefdraad in de projector kapot gaan. Wees voorzichtig wanneer u elektrisch gereedschap gebruikt.

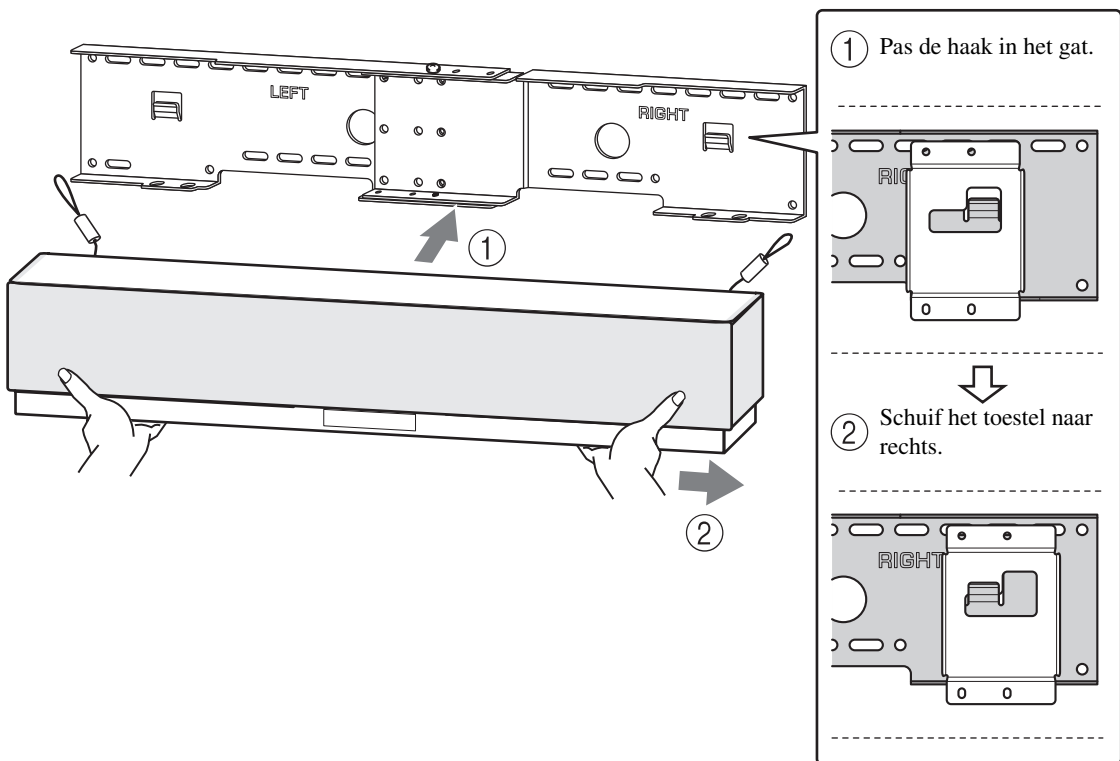
4 Bevestig de veiligheidsdraad.

Bevestig de veiligheidsdraad aan de kleine wandbevestigingsbeugel om te voorkomen dat de Digital Sound Projector kan vallen.



5 Bevestig de Digital Sound Projector aan de wand.

Pas de geleidehaakjes van de kleine wandbevestigingsbeugels die vastzitten aan de Digital Sound Projector in de gaten aan de linker- en de rechterkant van de grote wandbevestigingsbeugel en schuif het toestel vervolgens naar rechts.



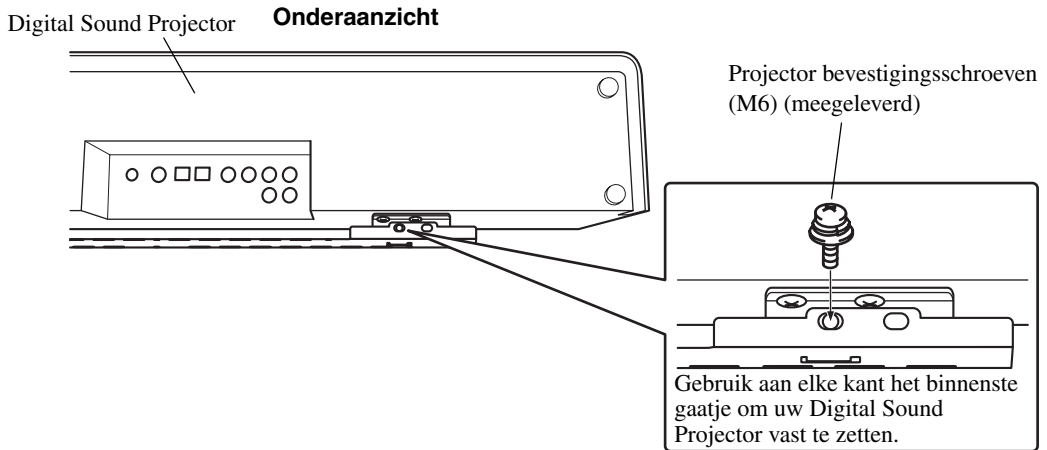
Opmerking

Houd de Digital Sound Projector goed met beide handen vast wanneer u de Digital Sound Projector aan de wand bevestigt of ervan af haalt. Als u de Digital Sound Projector niet goed vast houdt, kan deze vallen, hetgeen kan leiden tot persoonlijk letsel.

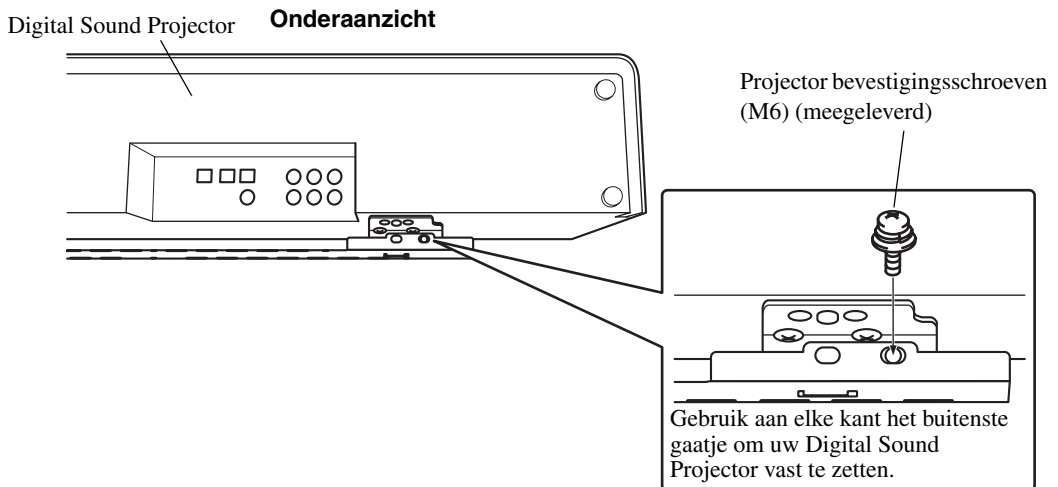
6 Zet het toestel vast.

Breng de gaatjes in de grote wandbevestigingsbeugel in lijn met de gaatjes onderaan de kleine wandbevestigingsbeugels en gebruik twee van de meegeleverde projector bevestigingsschroeven (M6 x 16) om het toestel vast te zetten. De locaties van de schroefgaatjes hangen af van het type Digital Sound Projector. Raadpleeg de volgende afbeeldingen controleer de juiste locaties van de schroefgaatjes voor uw Digital Sound Projector.

■ YSP-800/YSP-900



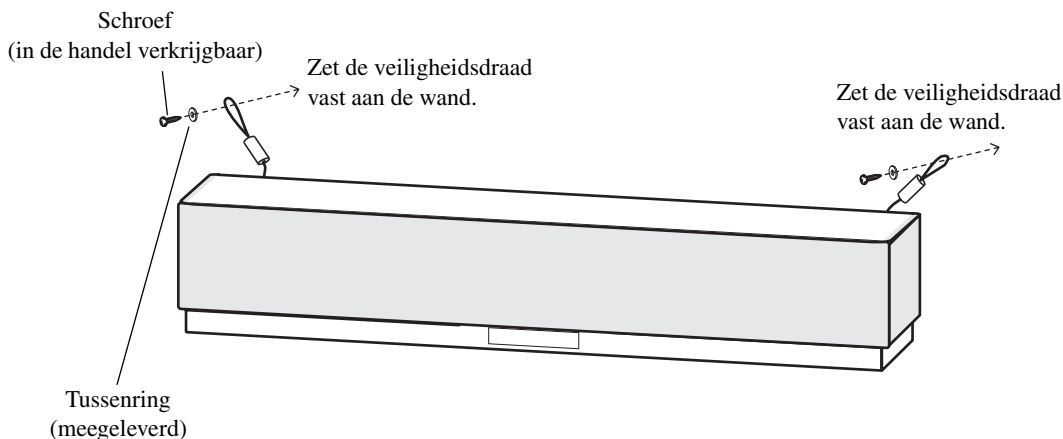
■ YSP-3000/YSP-30D/YSP-3050/HTY-7030/ YSP-4000/YSP-40D/HTY-7040



7 Bevestig de veiligheidsdraden aan de wand.

Doe schroeven (in de handel verkrijgbaar) door de lussen van de veiligheidsdraden en zet de draden met deze schroeven goed vast aan de wand.

Zorg ervoor dat de schroeven sterk genoeg zijn en op de juiste manier bevestigd zodat ze in geval van nood het gewicht van de Digital Sound Projector en de beugels kunnen dragen.



Opmerkingen

- Maak de veiligheidsdraad goed vast.
- Bewaar de 2 andere tussenringen voor eventueel toekomstig gebruik.

Beperkte garantie voor de Europese Economische Ruimte en Zwitserland

Hartelijk dank dat u een Yamaha product heeft gekozen. Mocht uw Yamaha product onverhoopt service of reparatie onder de garantie behoeven, dan verzoeken wij u contact op te nemen met de dealer van wie u het toestel in kwestie gekocht heeft. Als u problemen ondervindt, kunt u contact opnemen met de Yamaha vertegenwoordiging in uw land. De volledige gegevens hiervoor kunt u vinden op onze website (www.yamaha-hifi.com/ of www.yamaha-uk.com/ voor inwoners van het V.K.).

Wij garanderen dat dit product vrij is van fabricage- en materiaalfouten voor een periode van twee jaar, te rekenen vanaf de datum van de oorspronkelijke aankoop. Yamaha zal, onder de hieronder vermelde voorwaarden, het defecte product, onderdeel of de defecte onderdelen laten repareren of, naar keuze van Yamaha, vervangen, zonder kosten voor materiaal of arbeid in rekening te brengen. Yamaha behoudt zich het recht voor een product te vervangen door een gelijkwaardig product van hetzelfde soort en/of dezelfde waarde en andere relevante kenmerken, indien het onderhavige model niet meer gefabriceerd wordt of als reparatie niet economisch verantwoord wordt geacht.

Voorwaarden

1. Het defecte product MOET vergezeld zijn van de originele rekening of het oorspronkelijke reçu (met daarop vermeld de datum van aankoop, productcode en de naam van de dealer) en van een verklaring waarin het mankement of de storing uiteengezet wordt. Bij afwezigheid van een dergelijk onweerlegbaar bewijs van aankoop behoudt Yamaha zich het recht voor gratis service of reparatie te weigeren en kan het product op kosten van de klant aan de klant worden geretourneerd.
2. Het product MOET zijn aangeschaft bij een ERKENDE Yamaha dealer binnen de Europese Economische Ruimte (EER) of in Zwitserland.
3. Het product mag niet onderworpen zijn aan enige modificatie of verandering, behalve indien daartoe uitdrukkelijk schriftelijk toestemming is verkregen van Yamaha.
4. Uitgesloten van deze garantie zijn:
 - a. Periodiek onderhoud en reparatie of vervanging van onderdelen als gevolg van normale slijtage.
 - b. Schade als resultaat van:
 - (1) Reparaties uitgevoerd door de klant zelf of door onbevoegde derden.
 - (2) Ondeugdelijke verpakking of fouten bij het hanteren van het product wanneer het product van de klant vandaan onderweg is. Wij wijzen u erop dat het de verantwoordelijkheid van de klant is ervoor zorg te dragen dat het product deugdelijk verpakt is wanneer het wordt geretourneerd om nagezien of gerepareerd te worden.
 - (3) Oneigenlijk gebruik, daaronder begrepen, maar niet beperkt tot, (a) het product niet gebruiken voor de doeleinden waarvoor het normaal gesproken bestemd is, of niet in overeenstemming met de door Yamaha verstrekte instructies voor correct gebruik, onderhoud en opslag van het product, en (b) het product installeren of gebruiken op een wijze die niet voldoet aan de technische of veiligheidsnormen zoals die gelden in het land of de jurisdictie waar het product gebruikt wordt.
 - (4) Ongelukken, blikseminslag, water, brand, ondeugdelijke ventilatie, lekkende batterijen of enige andere oorzaak waarop Yamaha geen invloed heeft.
 - (5) Defecten van het systeem waarin dit product wordt gebruikt en/of incompatibiliteit met producten van derden.
 - (6) Gebruik van een niet door Yamaha in de EER en/of Zwitserland geïmporteerd product, waar dat product niet voldoet aan de technische of veiligheidsnormen van het land of de jurisdictie waar het product gebruikt wordt en/of aan de standaard specificaties van het product zoals verkocht door Yamaha in de EER en/of Zwitserland.
 - (7) Producten die niet AV (audiovisueel) gerelateerd zijn.
(De producten die onderworpen zijn aan de "Yamaha AV garantiëvoorwaarden" worden gedefinieerd op onze website: www.yamaha-hifi.com/ of www.yamaha-uk.com/ voor inwoners van het V.K.)
5. Waar de garantie zoals die geldt in het land van aankoop verschilt van die in land waar het product gebruikt wordt, zal de garantie voor het land waar het product gebruikt wordt worden toegepast.
6. Yamaha aanvaardt geen aansprakelijkheid voor enig verlies of enige schade, zij het directe schade, gevolgschade of anderszins, met uitzondering van reparatie of vervanging van het product.
7. Maakt u alstublieft reservekopieën van aangepaste instellingen of gegevens, want Yamaha aanvaardt geen aansprakelijkheid voor enige wijziging aan of verlies van dergelijke instellingen of gegevens.
8. Deze garantie doet niet af aan de rechten die de consument toegekend worden onder de toepasselijke nationale wetten en regelgeving, noch aan de rechten die de consument kan laten gelden ten opzichte van de dealer als gevolg van hun verkoop/aankoop contract.

КРОНШТЕЙН НАСТЕННОГО КРЕПЛЕНИЯ

SPM-K30

Руководство по установке

Благодарим вас за покупку Кронштейна настенной установки SPM-K30. Перед использованием данного кронштейна, следует тщательно изучить данное руководство. После изучения данного руководства, храните его для будущих справок.

При установке Digital Sound Projector с помощью данного кронштейна, все работы по установке должны производиться квалифицированными специалистами или дилерскими работниками. Клиент ни в коем случае не должен пытаться выполнить данную установку. Если установка выполнена неправильно или несоответствующим образом, это может привести к падению Digital Sound Projector, что может нанести травму.

ИНСТРУКЦИИ ПО ТЕХНИКЕ БЕЗОПАСНОСТИ

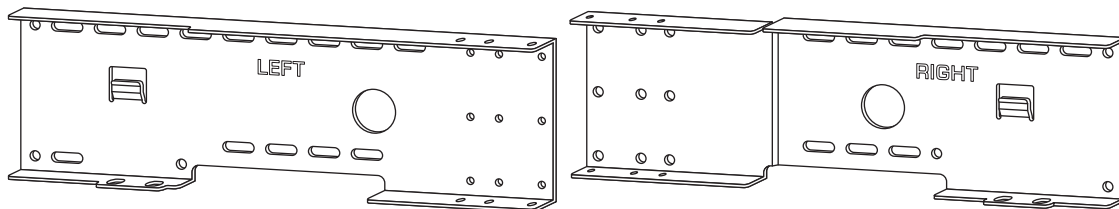
- **При установке Digital Sound Projector с помощью данного кронштейна, всегда следуйте инструкциям, указанным в данном руководстве.**
Если установка выполнена неправильно или несоответствующим образом, это может привести к падению Digital Sound Projector, что может нанести травму.
- **Установка должна быть достаточно надежной для бесконечного удерживания веса Digital Sound Projector, настенного кронштейна и иного оборудования, и также должна быть достаточно надежной для выдерживания вибраций.**
Если установка выполнена неправильно или несоответствующим образом, это может привести к падению Digital Sound Projector, что может нанести травму.
- **Для обеспечения надежности, все винты должны быть крепко закручены.**
Если винты закручены недостаточно крепко, это может привести к падению Digital Sound Projector, что может нанести травму.
- **Обязательно оставьте достаточное вентилируемое пространство вокруг аппарата для рассеивания тепла от Digital Sound Projector.**
При недостаточном свободном пространстве вокруг аппарата, это может вызвать внутренний перегрев Digital Sound Projector, что может привести к пожару.
- **Никогда не “нависайте” на Digital Sound Projector или настенном кронштейне.**
“Нависание” на Digital Sound Projector или настенном кронштейне может привести к падению звукопроектора или кронштейна, что может причинить травму.
- **Как только Digital Sound Projector установлен, следует регулярно проводить проверку на безопасность.**
При использовании Digital Sound Projector в течение продолжительного времени, винты могут разболтаться, и крепление может ослабеть по прохождению времени, из-за вибраций и т.д.

АКСЕССУАРЫ

Убедитесь в наличии всех следующих деталей.

Большой кронштейн настенного крепления (LEFT) (x1)

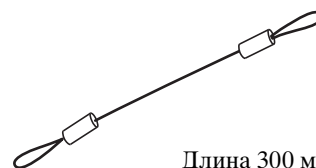
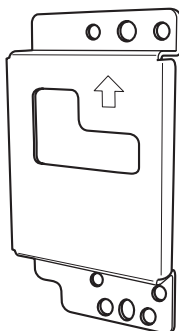
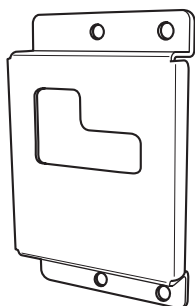
Большой кронштейн настенного крепления (RIGHT) (x1)



Малые кронштейны настенного крепления (Тип А) (x2)

Малые кронштейны настенного крепления (Тип В) (x2)

Провода безопасности (x2)



Крепежные винты проектора (М6, 16 мм) (x6)

Крепежные винты проектора (М4, 10 мм) (x10)

Шайба (для М6, 16 мм наружной окружности) (x4)



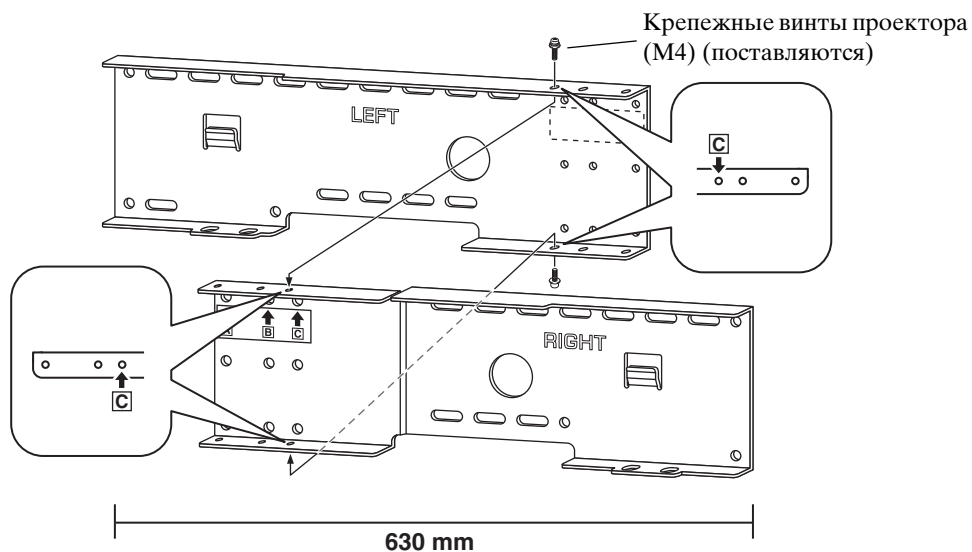
Примечание

Кроме аксессуаров, показанных выше, подготовьте минимум шесть наборов отдельно продающихся нарезных винтов ($\phi 4$ мм, 25 мм или более в длину) и шайб.

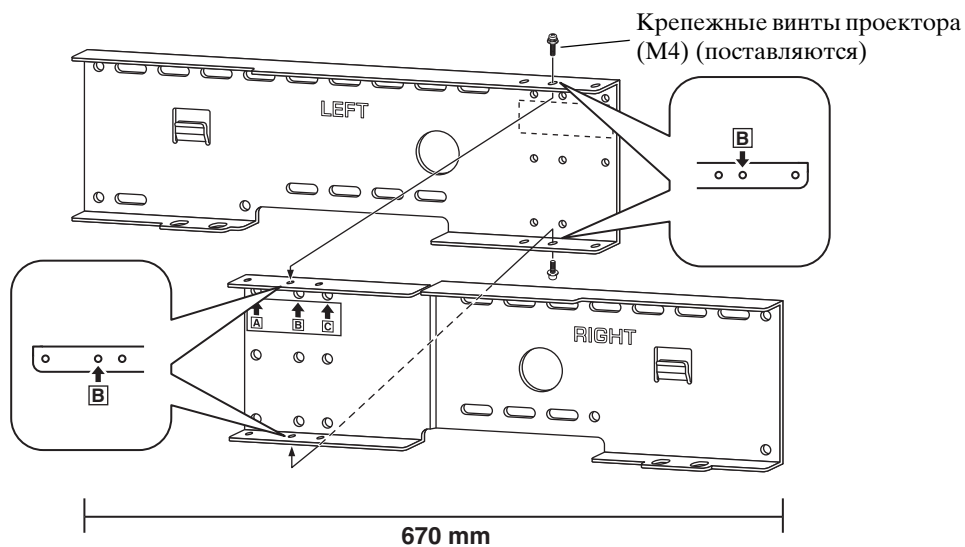
ПРОЦЕДУРА СБОРКИ

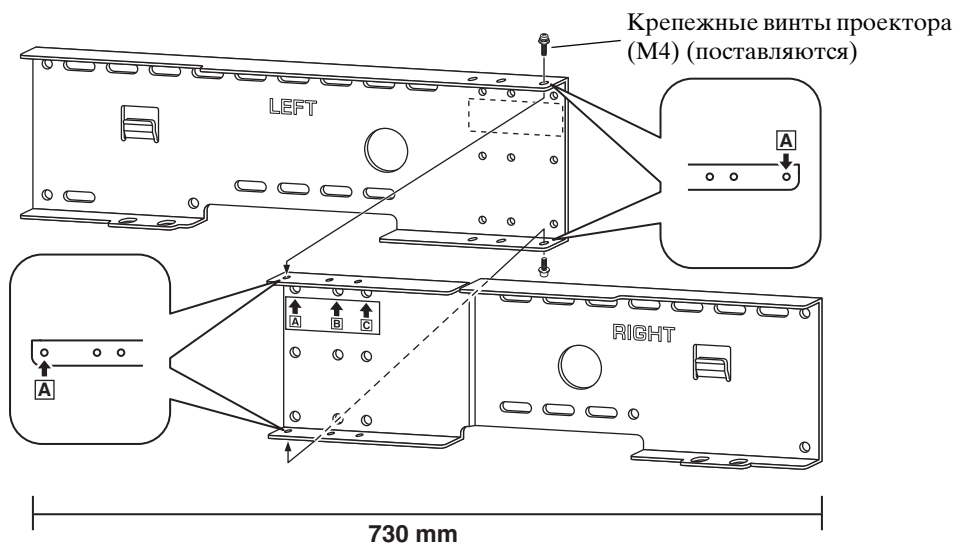
Габариты после сборки деталей изменяются в зависимости от типа Digital Sound Projector. Перед сборкой деталей, изучите расположения винтовых отверстий.

YSP-800, YSP-900



YSP-3000, YSP-30D, YSP-3050, HTY-7030



YSP-4000, YSP-40D, НТУ-7040

ПРОЦЕДУРА УСТАНОВКИ

Убедитесь, что имеется соответствующее вентиляционное пространство вокруг аппарата, и следуйте инструкциям ниже. В иллюстрациях каждого шага в качестве примеров использованы модели YSP-800 и YSP-900.

1 Прикрепите большой кронштейн настенного крепления к стене.

Для прикрепления аппарата к стене, сначала требуется приложить кронштейн к стене до некоторой степени, чтобы убедиться в соответствии структуры и качества стены.

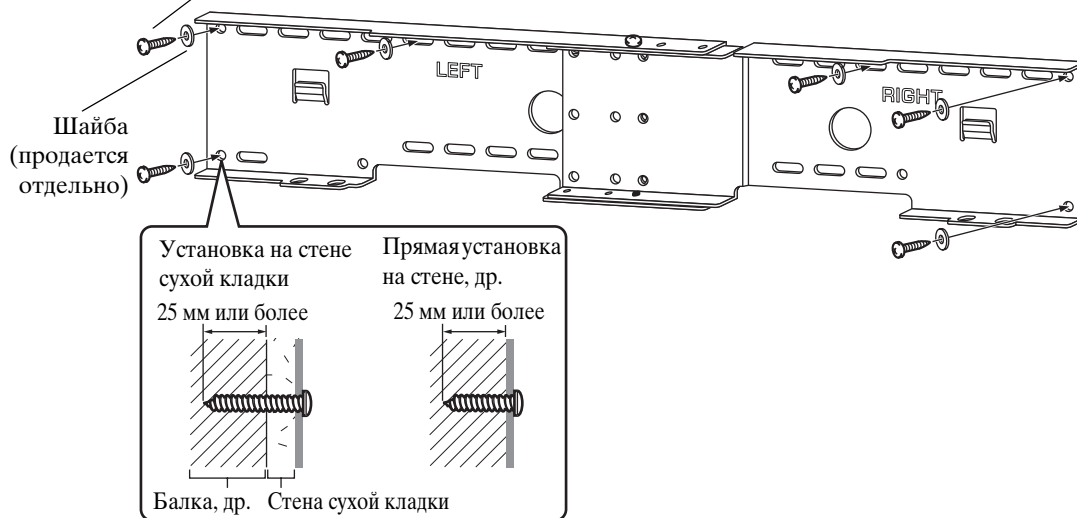
Выберите место на стене, которое может выдержать вес всего аппарата.

Перед установкой кронштейна, проверьте размер (смотрите “ГАБАРИТЫ” на первой странице данного руководства).

Пример установки

4 мм нарезной винт (продается отдельно)

Для прикрепления аппарата к стене, закрутите шесть (или более) нарезных винтов снаружи через отверстия в кронштейне настенного крепления.

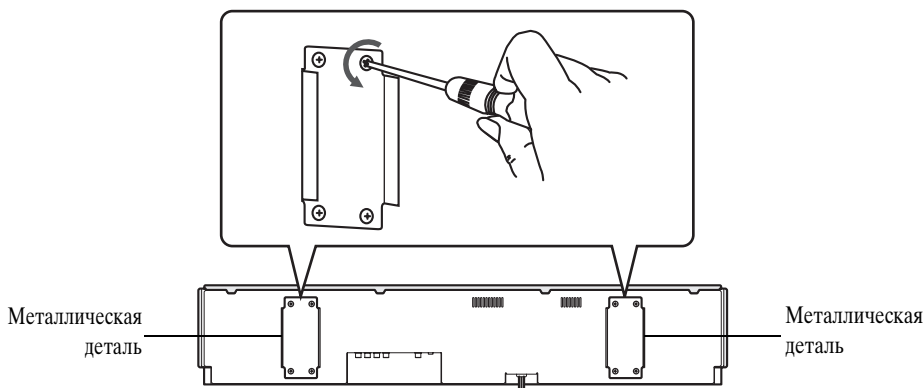


Примечание

Выберите надежное место на стене или балку для закрепления винтов. Не устанавливайте на стенах из слабого материала, который может легко отделиться, как цемент или стеновые панели из фанеры. Если винты закручены недостаточно крепко, это может привести к падению проектора, что может нанести травму.

2 Отсоедините металлические детали от Digital Sound Projector. (Только для некоторых моделей YSP-800)

Если металлические детали прикреплены к задней панели Digital Sound Projector, отсоедините их с задней левой и правой сторон. Если на задней панели Digital Sound Projector не имеется прикрепленных металлических деталей, перейдите к шагу 3.



3 Прикрепите малые кронштейны настенного крепления к Digital Sound Projector.

Малые кронштейны настенного крепления изменяются в зависимости от типа Digital Sound Projector. Подробнее о типе Digital Sound Projector и совместимых малых кронштейнах настенного крепления (Тип А или В), смотрите следующую таблицу.

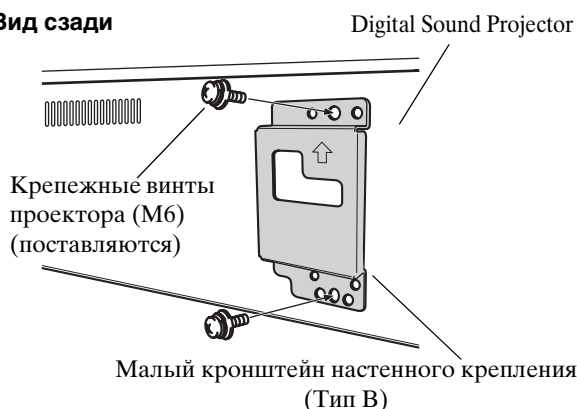
С помощью поставляемых крепежных винтов (М6 х 4 для YSP-4000, YSP-40D или НТУ-7040 и М4 х 8 для других моделей), надежно прикрепите два малых кронштейна настенного крепления к задней левой и правой сторонам Digital Sound Projector.

Digital Sound Projector	Малый кронштейн настенного крепления
YSP-800 YSP-900	Тип А
YSP-3000 YSP-30D YSP-3050 НТУ-7030 YSP-4000 YSP-40D НТУ-7040	Тип В

Прикрепите кронштейны к задней левой и правой сторонам Digital Sound Projector.

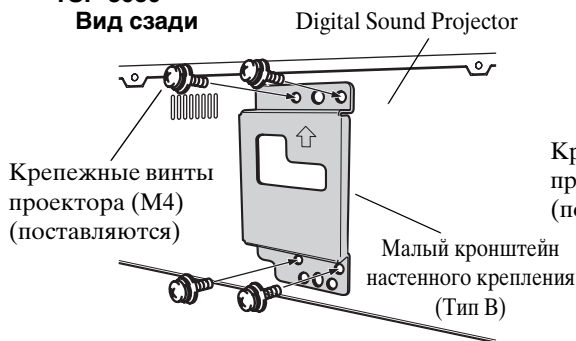
■ YSP-4000/YSP-40D/НТУ-7040

Вид сзади



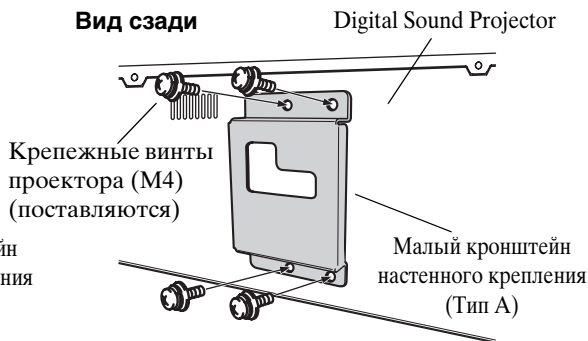
■ YSP-3000/YSP-30D/НТУ-7030/ YSP-3050

Вид сзади



■ YSP-800/YSP-900

Вид сзади

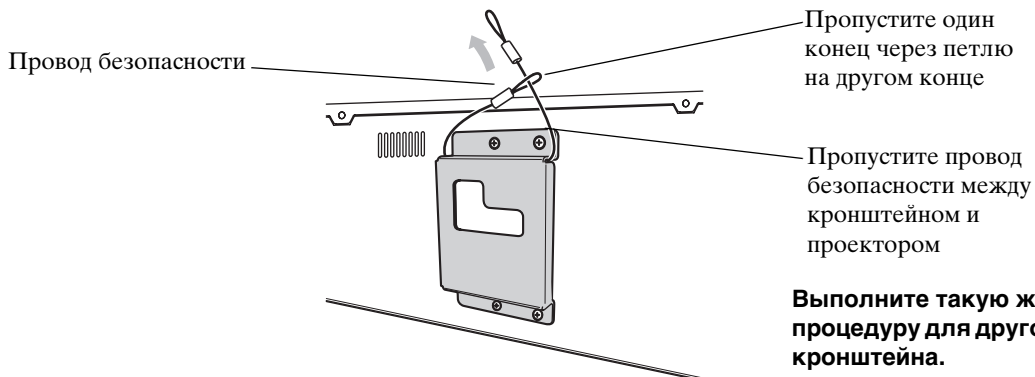


Примечания

- В аппарате модели, к которому не прикреплены металлические детали, имеются осязаемые колпачки в отверстиях. В таком случае, закрепляйте винты с проколом осязаемых колпачков.
- При наклонном закреплении винтов, винтовая резьба проектора может быть повреждена. Будьте внимательны при использовании электроприборов.

4 Прикрепите провод безопасности.

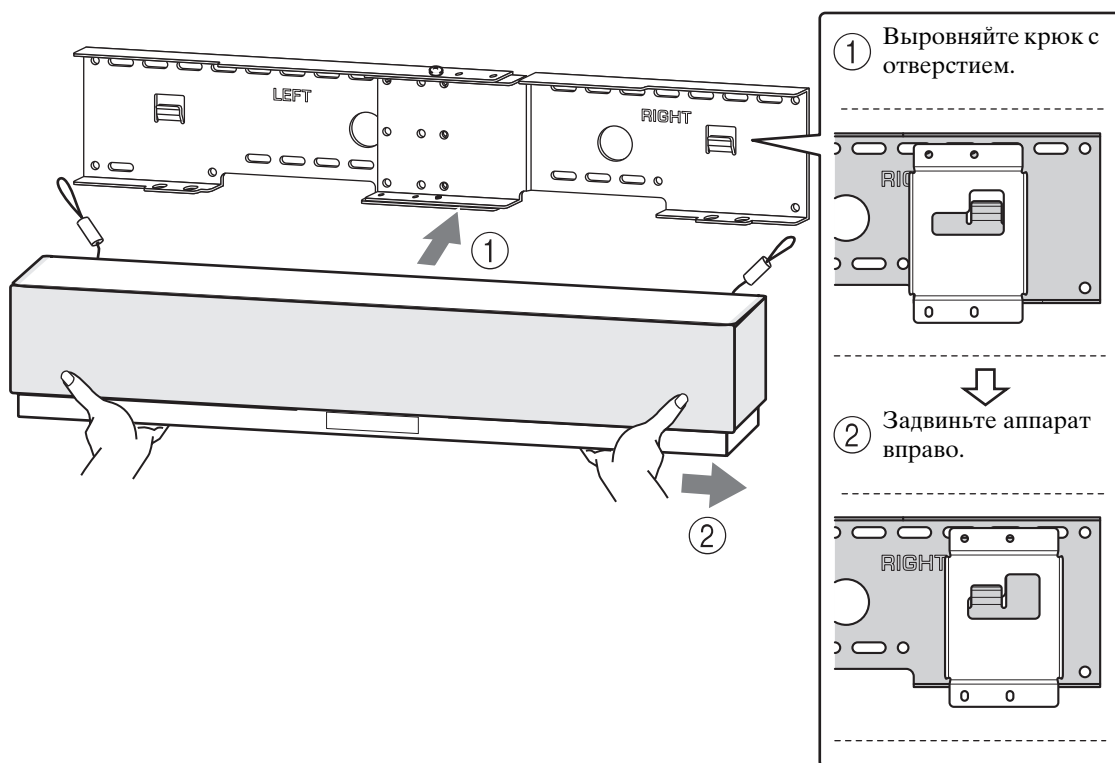
Во избежание падения Digital Sound Projector, прикрепите провод безопасности к малому кронштейну настенной установки.



Выполните такую же процедуру для другого кронштейна.

5 Закрепите Digital Sound Projector на стене.

Выверните крепежные направляющие крюки малых кронштейнов настенного крепления, прикрепленных к Digital Sound Projector, с отверстиями на левой и правой сторонах больших кронштейнов настенного крепления, и затем задвиньте аппарат вправо.



Примечание

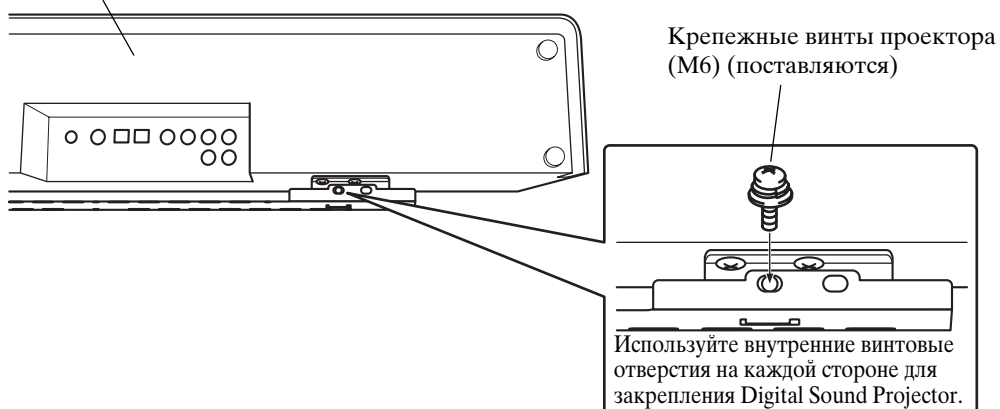
При прикреплении или отсоединении Digital Sound Projector к или от стены, крепко удерживайте Digital Sound Projector обеими руками. Если Digital Sound Projector удерживается слабо, это может привести к падению Digital Sound Projector, и причинить травму.

6 Закрепите аппарат.

Выверните отверстия в большом кронштейне настенного крепления с отверстиями в нижней части малого кронштейна настенного крепления, и затем, с помощью двух поставляемых крепежных винтов проектора (M6 x 16), закрепите аппарат. Расположения винтовых отверстий изменяются в зависимости от типа Digital Sound Projector. Изучите следующие иллюстрации и проверьте правильные расположения винтовых отверстий, используемых для закрепления Digital Sound Projector.

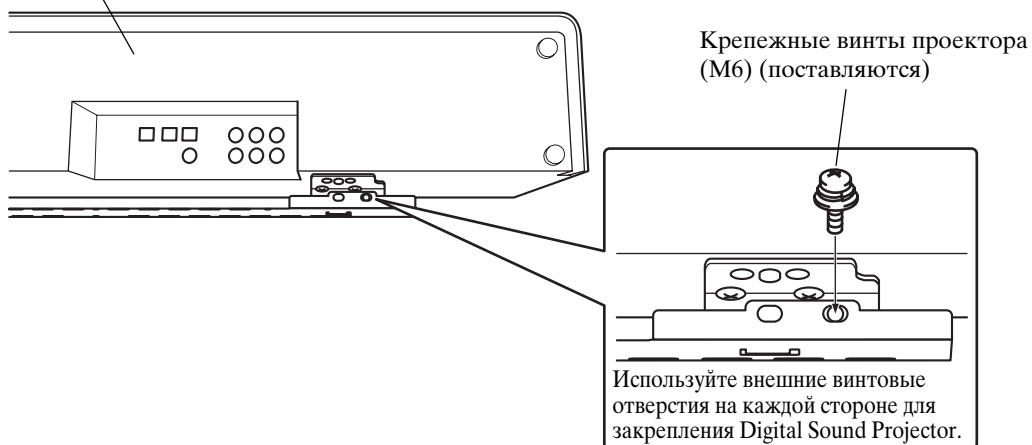
■ YSP-800/YSP-900

Digital Sound Projector Вид снизу



■ YSP-3000/YSP-30D/YSP-3050/HTY-7030/ YSP-4000/YSP-40D/HTY-7040

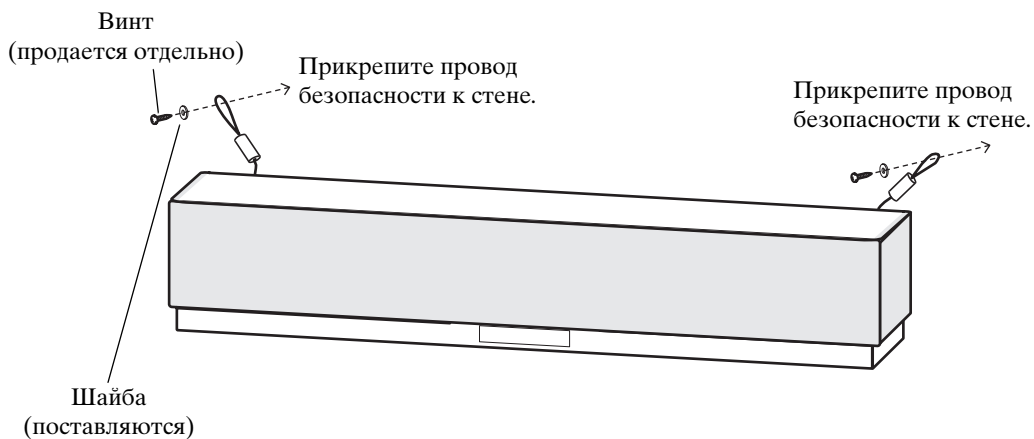
Digital Sound Projector Вид снизу



7 Прикрепите провода безопасности к стене.

Проведите винты (продаются отдельно) через петли проводов безопасности, и затем прикрепите винты к стене для надежной установки проводов безопасности.

Убедитесь, что винты достаточно сильны для удержания веса Digital Sound Projector и кронштейнов в случае их падения.



Примечания

- Крепко прикрепите провода безопасности.
- Сохраните 2 другие шайбы для использования в будущем.

挂壁托架

SPM-K30

安装说明书

感谢您购买 SPM-K30 挂壁托架。在使用本托架以前请务必仔细阅读本说明书。阅读本说明书之后，请妥善保管以备日后参考。

当使用本托架安装音响投影机 (Digital Sound Projector) 时，所有安装工作必须由专业人员或经销商来完成。顾客请不要尝试完成这个安装工作。不合适或不规范的安装可能会造成音响投影机 (Digital Sound Projector) 跌落从而导致人员伤害。

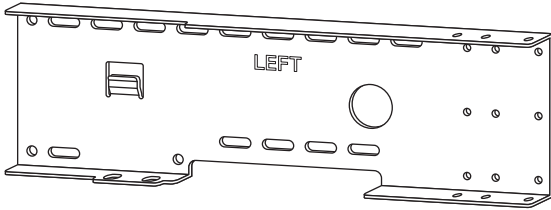
全指南

- 当使用本托架安装音响投影机 (Digital Sound Projector) 时，请务必遵守本说明书的各个事项。不合适或不规范的安装可能会造成音响投影机 (Digital Sound Projector) 跌落从而导致人员伤害。
- 安装必须保证足以承担音响投影机 (Digital Sound Projector)，挂壁托架和其他不确定部件的重量，并且也必须保证足以承担它们的振动。不合适或不规范的安装可能会造成音响投影机 (Digital Sound Projector) 跌落从而导致人员伤害。
- 保证安全，所有的螺钉必须保证被拧紧。不牢固的螺钉可能会造成音响投影机 (Digital Sound Projector) 跌落从而导致人员伤害。
- 在本机的周围，请务必提供足够的通风空间以驱散音响投影机 (Digital Sound Projector) 产生的热量。如果不能为本机提供足够的空间，可能会引起音响投影机 (Digital Sound Projector) 内部过热，从而导致火灾。
- 不要在音响投影机 (Digital Sound Projector) 或挂壁托架悬挂其他物品。在音响投影机 (Digital Sound Projector) 或挂壁托架悬挂其他物品可能会引起音响投影机 (Digital Sound Projector) 或挂壁托架落下而导致人员伤害。
- 一旦音响投影机 (Digital Sound Projector) 被安装，则应该定期进行安全检查。如果使用音响投影机 (Digital Sound Projector) 超过一段时间，由于时间的推移，振动等使得螺钉可能变松，装置可能变得不牢固。

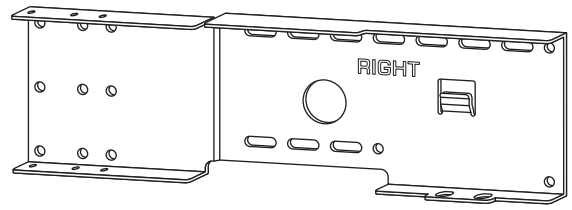
附件

检查以下所有部件是否齐全。

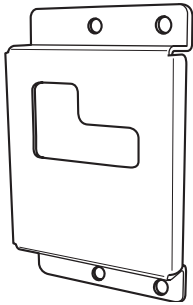
大挂壁托架（左）（1 件）



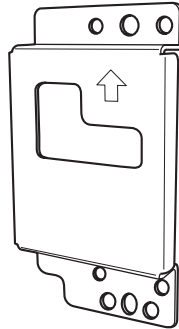
大挂壁托架（右）（1 件）



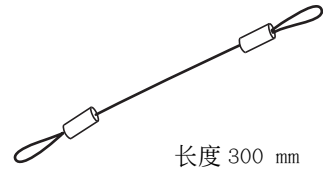
小挂壁托架
(A 型) (2 件)



小挂壁托架
(B 型) (2 件)



安全金属线（2 条）



装置 (Projector) 装配用螺钉
(M6, 16 mm) (6 个)



装置 (Projector) 装配用螺钉
(M4, 10 mm) (10 个)



垫圈（用于 M6, 16mm
外周长的螺钉）(4 个)



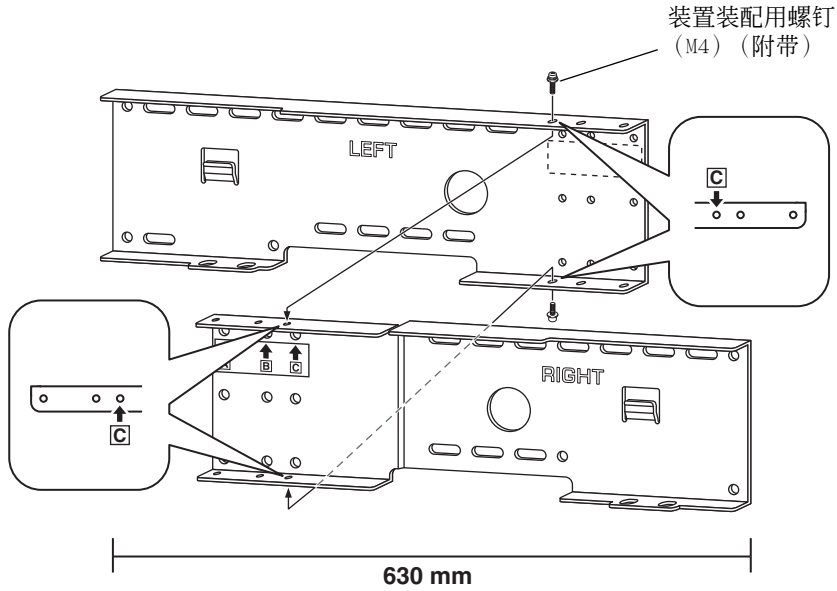
注

除了上面提到的附件，再请预备最少 6 套市面出售的螺钉（ ϕ 4 mm, 25 mm 或更长）和垫圈。

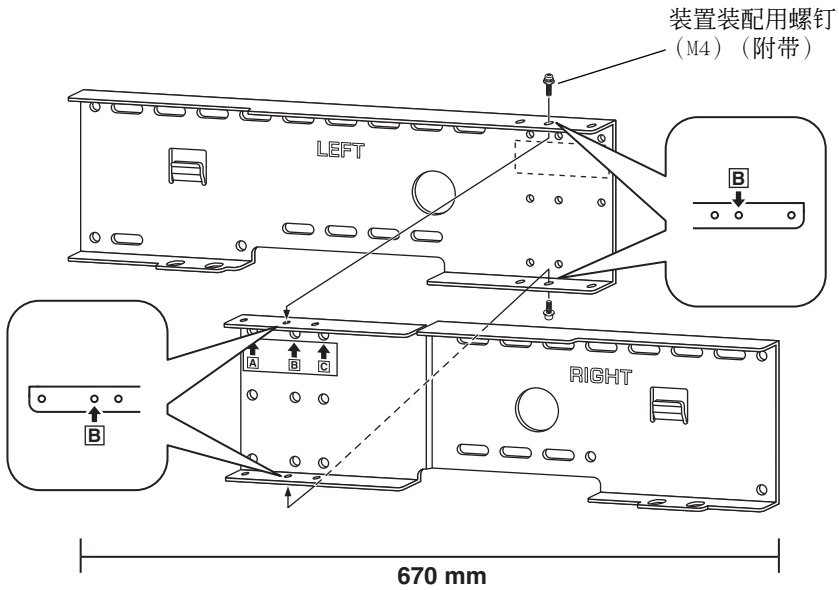
组装顺序

部件组装后的尺寸根据音响投影机 (Digital Sound Projector) 的类型不同会稍有差异。在组装部件之前，请确认螺丝孔的位置。

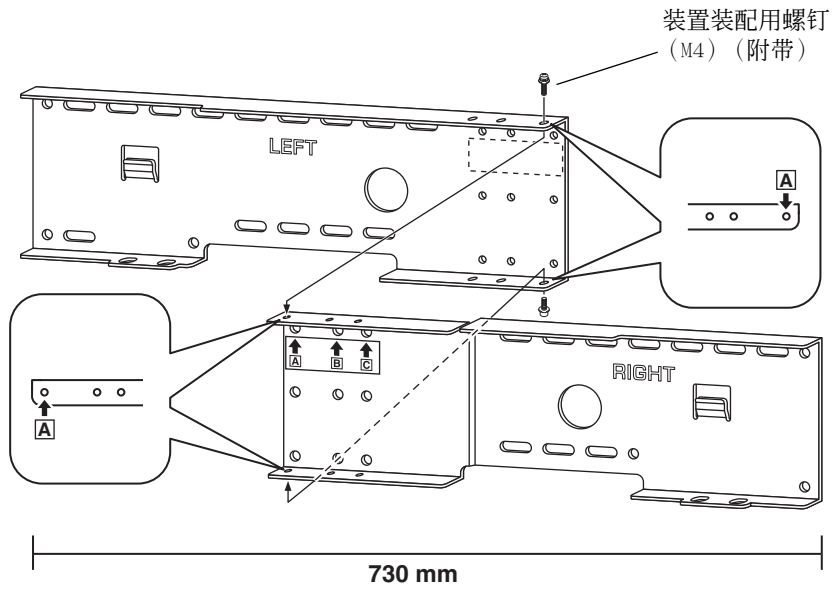
YSP-800, YSP-900



YSP-3000, YSP-30D, YSP-3050, HTY-7030



YSP-4000, YSP-40D, HTY-7040



安装顺序

按照下列指示，在本机的周围请务必提供足够的通风空间。
各个步骤中使用的图例为 YSP-800 和 YSP-900。

1 悬挂大的挂壁托架于墙上。

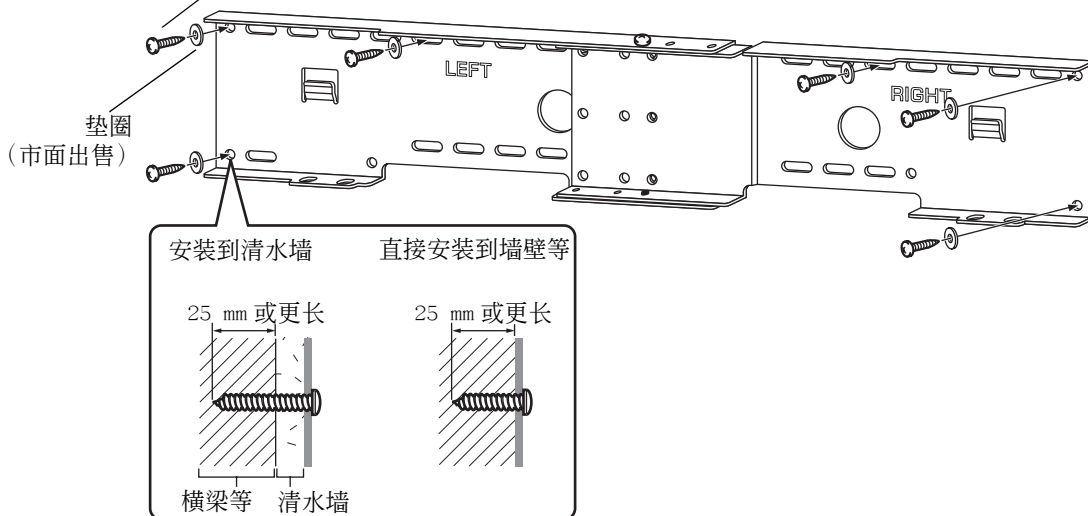
为了本机能牢固地悬挂于墙上，您必须根据墙壁的结构和质量选择适合的方法将托架悬挂到墙壁。
选择墙上一处能够承担全部本机的重量的位置。

在安装托架之前，请确认尺寸（参见本说明书首页的“各个部分的尺寸”部分）。

安装例

4 mm 自攻螺钉（市面出售）

为了本机能牢固地悬挂于墙上，从挂壁托架的外部的孔旋入 6 个（或更多）自攻螺钉。

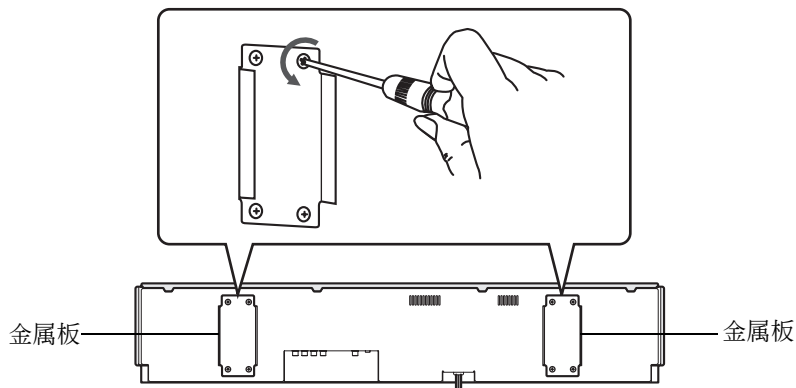


注

选择一处牢固的墙壁或横梁旋紧螺钉。请不要安装由不牢固的材料制成的容易脱落的墙壁，例如灰泥墙壁或合成板墙壁。松动的螺钉可能会造成装置落下而导致人员伤害。

2 从音响投影机 (Digital Sound Projector) 上拆下金属板。 (仅限于 YSP-800 的某些型号)

如果金属板被安装到您的音响投影机 (Digital Sound Projector) 的后面板，从音响装置的后部左和右边拆下金属板。
如果金属板没有被安装到您的音响投影机 (Digital Sound Projector) 的后面板，进行到步骤 3。



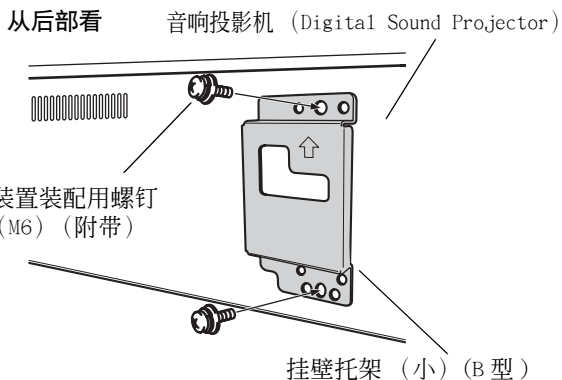
3 安装小挂壁托架于音响投影机 (Digital Sound Projector)。

根据声音投影机的类型不同，小挂壁托架会稍有差异。关于不同音响投影机 (Digital Sound Projector) 类型所对应的小挂壁托架 (A 或 B 型)，请参考下表。

使用音响投影机附带的安装螺钉 (M6 x 4, YSP-4000, YSP-40D 和 HTY-7040 ; M4 x 8, 其他型号)，牢固地固定两个小挂壁托架到音响投影机 (Digital Sound Projector) 的后部左和右边。

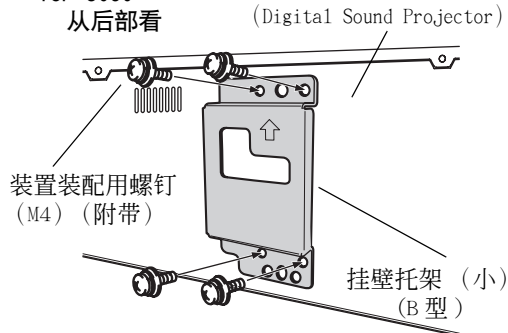
音响投影机 (Digital Sound Projector)	挂壁托架 (小)
YSP-800 YSP-900	A 型
YSP-3000 YSP-30D YSP-3050 HTY-7030 YSP-4000 YSP-40D HTY-7040	B 型

■ YSP-4000/YSP-40D/HTY-7040

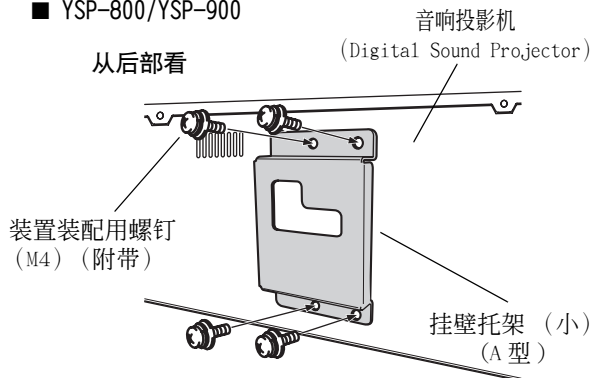


悬挂挂壁托架到音响投影机 (Digital Sound Projector) 的后部左和右边。

■ YSP-3000/YSP-30D/HTY-7030/ YSP-3050



■ YSP-800/YSP-900

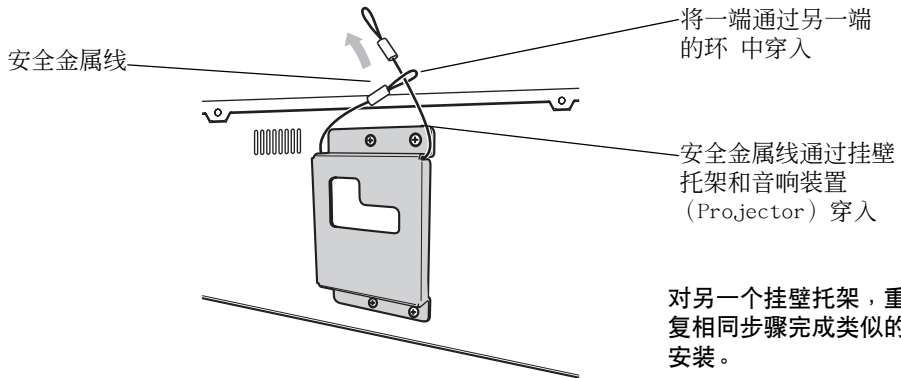


注

- 在没有附带安装金属板的后面机型里，孔里有软垫片。此时，请拧紧螺钉刺穿垫片。
- 如果您倾斜拧紧螺钉，装置 (Projector) 上的螺钉螺纹可能被损坏。使用电动工具时请小心。

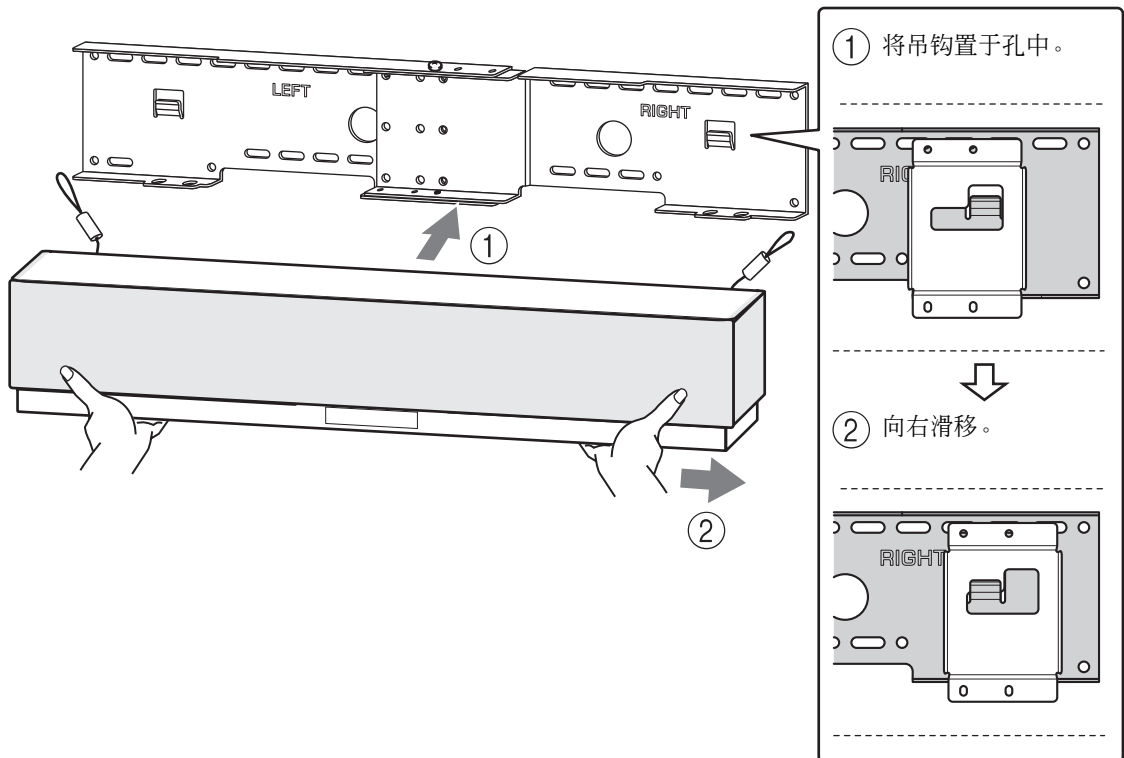
4 悬挂安全金属线。

为了防止音响投影机 (Digital Sound Projector) 脱落, 在小的挂壁托架上悬挂安全金属线。



5 在墙上安装音响投影机 (Digital Sound Projector)。

将安装在音响投影机 (Digital Sound Projector) 上的小挂壁托架上的导向吊钩置于大的挂壁托架的左和右边的孔对应的位置, 然后向右滑移。



注

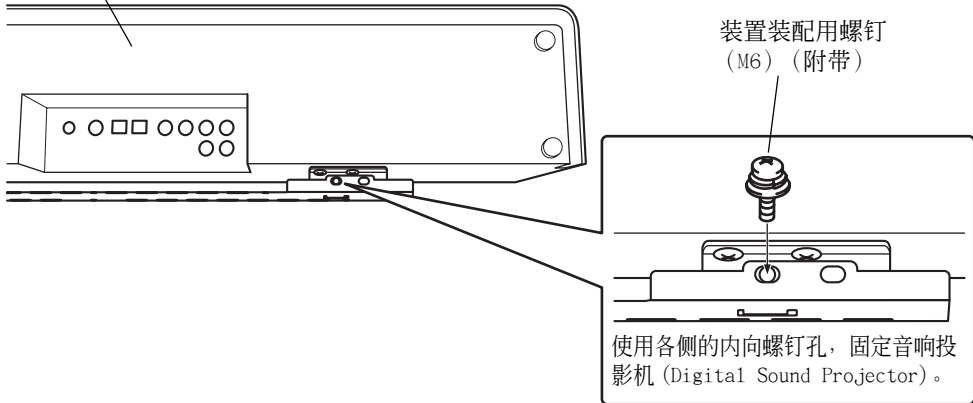
当悬挂或移动音响投影机 (Digital Sound Projector) 到墙上或从墙上取下时, 请双手握紧音响投影机 (Digital Sound Projector)。没有握紧音响投影机 (Digital Sound Projector) 可能引起音响投影机 (Digital Sound Projector) 落下而导致人员伤害。

6 固定本装置。

将小的挂壁托架底部的孔对齐大的挂壁托架上的孔，然后使用两个附带的装置装配用螺钉（M6 X 16）拧紧，以固定装置。根据声音投影仪的类型不同，螺钉孔的位置会稍有差异。请参考下图并确认螺钉孔的正确位置，以便牢靠固定音响投影机。

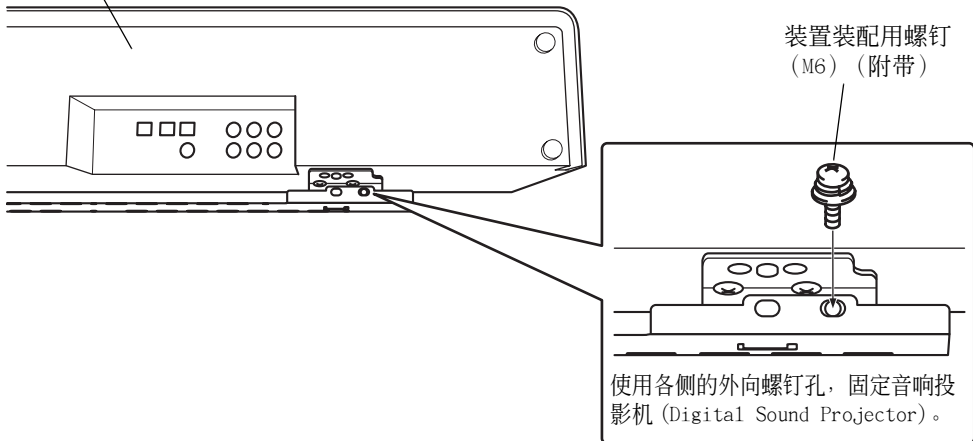
■ YSP-800/YSP-900

音响投影机 (Digital Sound Projector) 从底部看



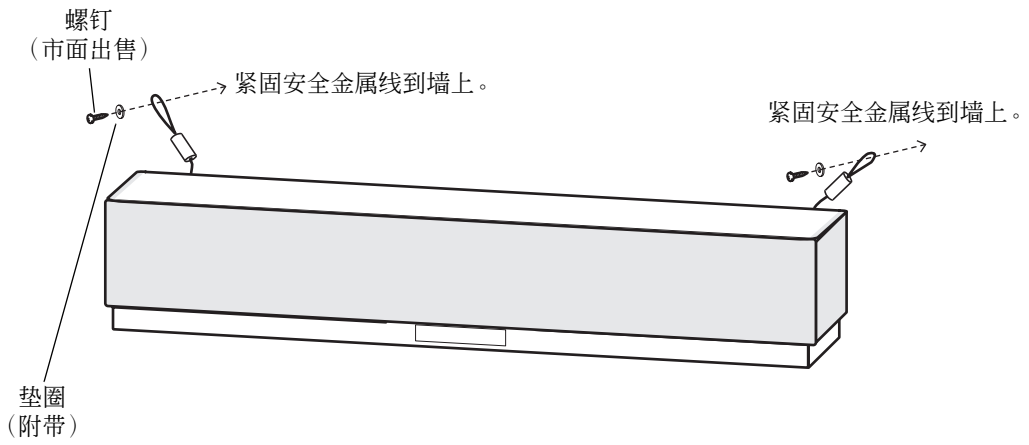
■ YSP-3000/YSP-30D/YSP-3050/HTY-7030/ YSP-4000/YSP-40D/HTY-7040

音响投影机 (Digital Sound Projector) 从底部看



7 悬挂安全金属线到墙上。

从安全金属线的环穿入螺钉（市面出售）然后拧紧螺钉使安全金属线紧固到墙上。
请确保螺钉的强度足以承担音响投影机（Digital Sound Projector）和挂壁托架的重量以防万一它们落下。



注

- 牢靠地悬挂安全金属线。
- 保存剩余的 2 个垫圈，以备日后使用。

벽 마운트 브라켓

SPM-K30

설치 설명서

벽 마운트 브라켓 SPM-K30을 구입해 주셔서 감사합니다. 이 브라켓을 사용하기 전에 본 설명서를 꼭 읽어 주십시오. 본 설명서를 읽은 후에는 향후 참고를 위해 보관해 주십시오.

본 브라켓을 사용하여 Digital Sound Projector를 설치하기 전에 공인 도급 업자 및 대리점 요원이 모든 설치 절차를 수행해야 합니다. 소비자는 절대로 설치 작업을 수행해서는 안됩니다. 부적절한 설치는 Digital Sound Projector가 떨어져 사용자가 부상당할 수 있습니다.

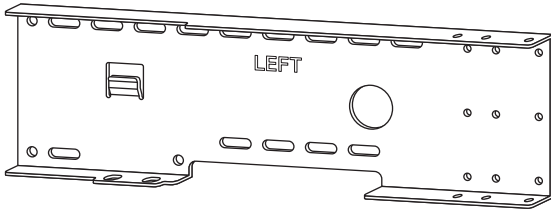
안전 수칙

- 본 브라켓을 사용하여 사운드 프로젝터를 사용할 때 본 설명서의 지침을 항상 준수하십시오.
부적절한 설치는 Digital Sound Projector가 떨어져 사용자가 부상당할 수 있습니다.
- Digital Sound Projector, 벽 브라켓 및 다른 크기가 일정치 않은 하드웨어의 무게를 견딜 수 있도록 안전하게 설치해야 하며, 진동에 충분히 견딜 수 있도록 설치해야 합니다.
부적절한 설치는 Digital Sound Projector가 떨어져 사용자가 부상당할 수 있습니다.
- 안전하게 하려면 모든 나사를 단단하게 조여야 합니다.
느슨한 나사로 Digital Sound Projector가 떨어져 사용자가 부상당할 수 있습니다.
- 반드시 Digital Sound Projector에서 발생한 열을 방산할 수 있도록 기기 주위에 충분한 통풍 간격을 유지해 주십시오.
충분한 통풍 공간이 없으면 Digital Sound Projector 내부가 과열되어 화재가 발생할 수 있습니다.
- Digital Sound Projector나 벽 브라켓에 옷을 절대로 걸지 마십시오.
Digital Sound Projector나 벽 브라켓에 옷을 걸면 Digital Sound Projector나 벽 브라켓이 떨어져 사용자가 부상당할 수 있습니다.
- Digital Sound Projector를 일단 설치하면 기본 수칙으로 안전 점검을 실시해야 합니다.
Digital Sound Projector를 장시간 사용하지 않으면 시간이나 진동으로 인해 나사가 풀어져 설치가 불안 전해질 수 있습니다.

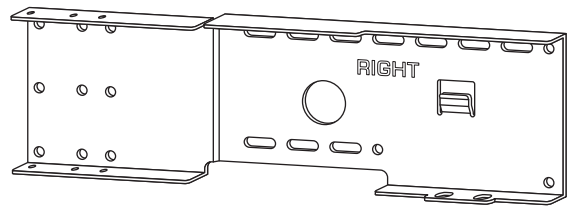
부속품

모든 부속품이 포함되어 있는지 확인하십시오.

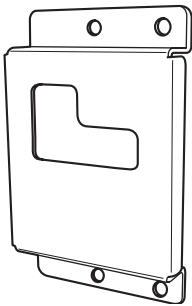
대형 벽 마운트 브라켓 (왼쪽) (1 개)



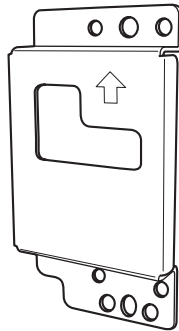
대형 벽 마운트 브라켓 (오른쪽) (1 개)



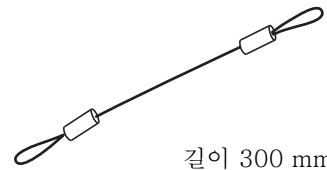
소형 벽 마운트 브라켓 (타입 A) (2 개)



소형 벽 마운트 브라켓 (타입 B) (2 개)



안전 와이어 (2 개)



프로젝터 마운팅 나사 (M6, 16 mm) (6 개)



프로젝터 마운팅 나사 (M4, 10 mm) (10 개)



와셔 (M6, 외부 직경 16 mm) (4 개)



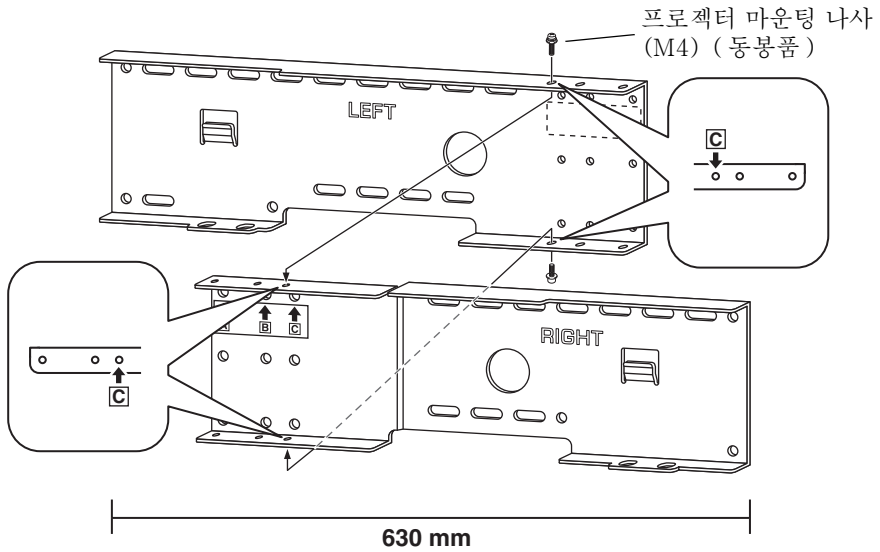
참고

위 그림에 있는 부속품 외에 추가로 시중에서 판매하는 나사 (φ4 mm, 길이가 25 mm 이상) 6 세트 이상과 와셔를 준비하십시오.

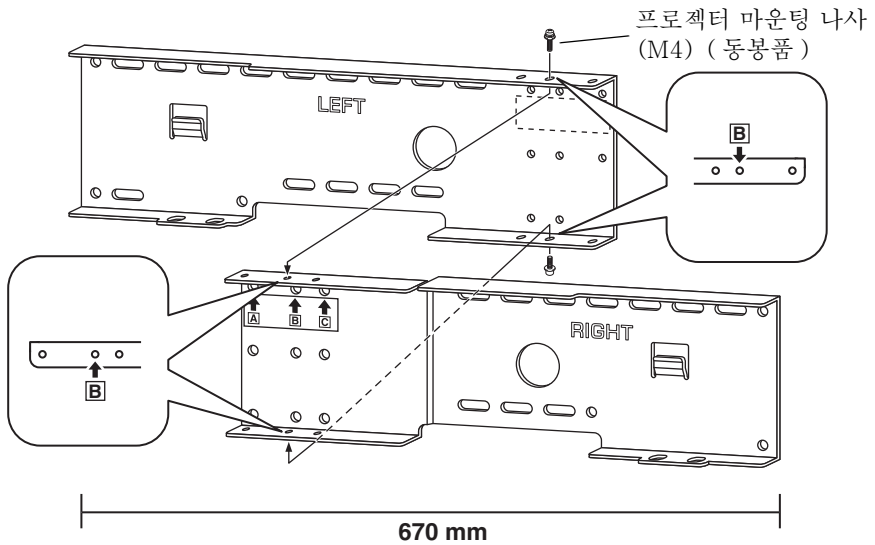
조립 절차

부품을 조립한 후의 치수는 Digital Sound Projector 의 유형에 따라 다릅니다 . 부품을 조립하기 전에 나사 구멍의 위치를 확인하십시오 .

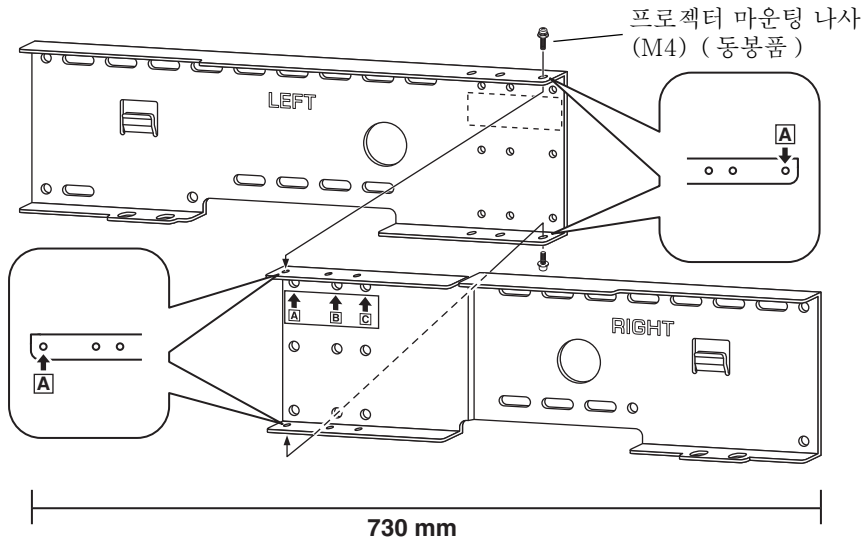
YSP-800, YSP-900



YSP-3000, YSP-30D, YSP-3050, HTY-7030



YSP-4000, YSP-40D, HTY-7040



설치 절차

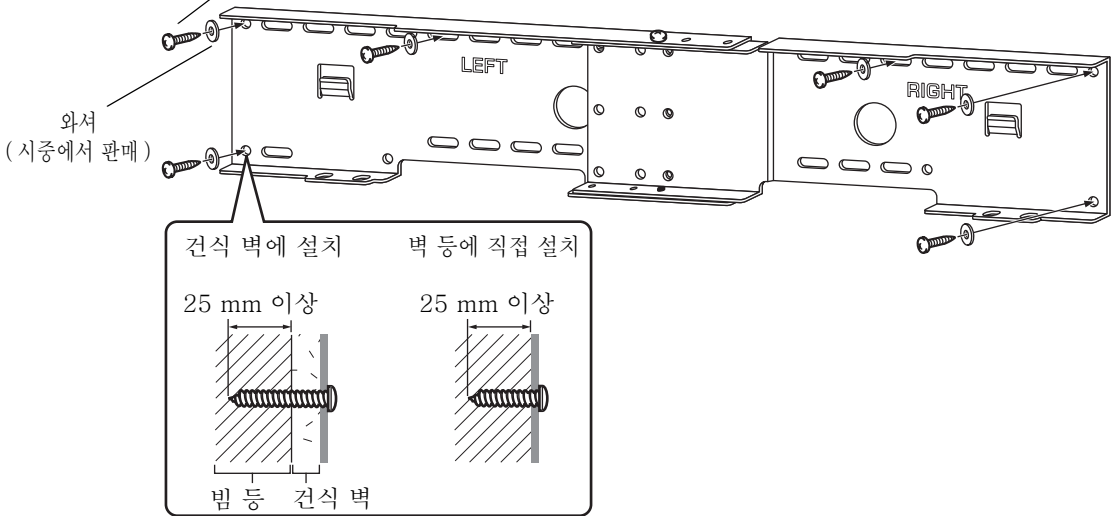
본 기기 주위에 충분한 통풍 공간을 마련하고 아래 절차를 수행하십시오.
 각 단계에서 사용된 그림은 YSP-800 및 YSP-900 의 예입니다.

1 벽에 대형 벽 마운트 브라켓을 부착합니다.

기기를 벽에 단단히 장착하기 위해 먼저 벽의 구조 및 재질에 맞는 방법으로 벽에 브라켓을 부착해야 합니다.
 기기의 총 무게를 견딜 수 있는 벽을 선택합니다.
 브라켓을 설치하기 전에 크기를 확인하십시오 (본 설명서의 첫페이지의 “크기” 참고).

설치 예

4 mm 태핑 나사 (시중에서 판매)
 기기를 벽에 단단히 부착하려면 바깥에서 벽 마운트 브라켓의 구멍으로
 6 개 (또는 그 이상) 의 태핑 나사를 박습니다.

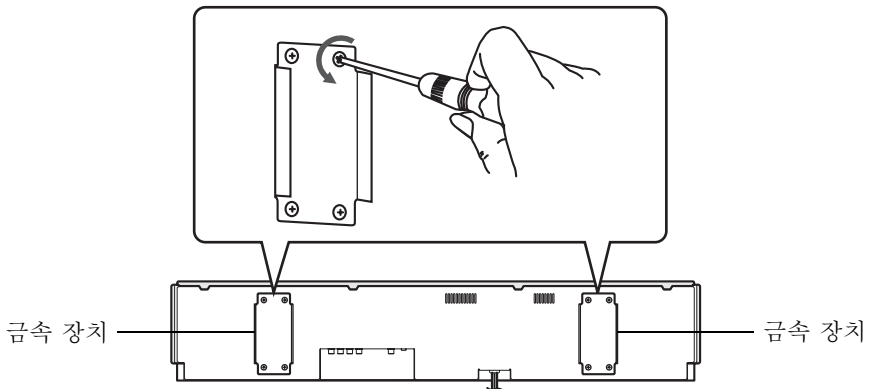


참고

벽 또는 빔을 선택하여 나사를 조입니다. 모르타르 또는 베니어판과 같은 쉽게 떨어질 수 있는 약한 재질로 된 벽에 설치하지 마십시오. 느슨한 나사로 프로젝터가 떨어져 사용자가 부상당할 수 있습니다.

2 Digital Sound Projector의 금속 장치를 분리합니다. (YSP-800의 일부 모델만 해당)

금속 장치가 Digital Sound Projector 후면 패널에 부착된 경우, 후면 좌우의 금속 장치를 분리합니다.
 금속 장치가 Digital Sound Projector의 후면 패널에 부착되지 않은 경우, 3 단계로 진행하십시오.



3 Digital Sound Projector 에 소형 벽 마운트 브라켓을 부착합니다.

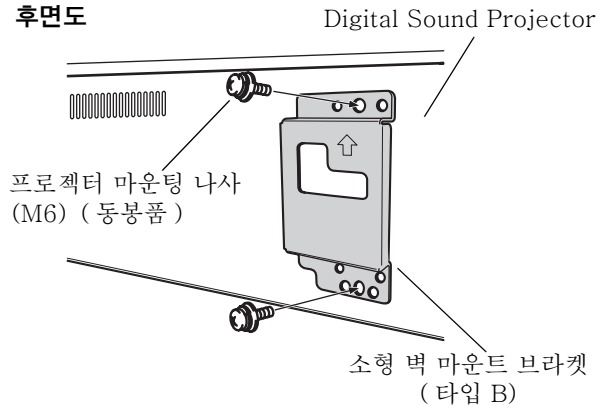
소형 벽 마운트 브라켓은 Digital Sound Projector 의 유형에 따라 다릅니다. Digital Sound Projector 의 유형과 호환되는 소형 벽 마운트 브라켓 (타입 A 또는 B) 에 대한 자세한 내용은 다음 표를 참고하십시오. 제공된 프로젝터 마운팅 나사 (YSP-4000, YSP-40D 또는 HTY-7040 의 경우 M6 x 4, 기타 모델의 경우 M4 x 8) 를 사용하여 두 개의 소형 벽 마운트 브라켓을 Digital Sound Projector 뒤쪽 좌, 우에 단단히 부착합니다.

Digital Sound Projector	소형 벽 마운트 브라켓
YSP-800 YSP-900	타입 A
YSP-3000 YSP-30D YSP-3050 HTY-7030 YSP-4000 YSP-40D HTY-7040	타입 B

Digital Sound Projector 의 후면 좌우에 브라켓을 부착합니다.

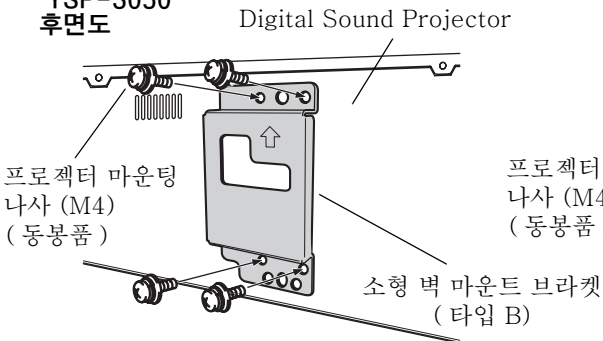
■ YSP-4000/YSP-40D/HTY-7040

후면도



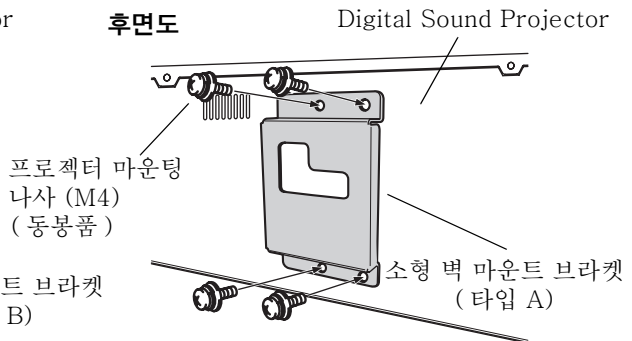
■ YSP-3000/YSP-30D/HTY-7030/ YSP-3050

후면도



■ YSP-800/YSP-900

후면도

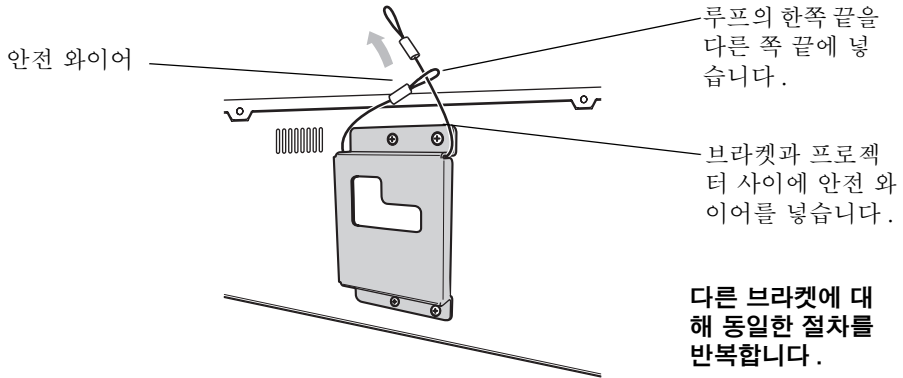


참고

- 금속 장치가 부착되지 않은 모델의 유니트에는 구멍에 펠트 커버가 있습니다. 이 경우, 나사를 돌려 펠트 커버에 구멍을 뚫으십시오.
- 비스듬한 곳에 나사를 조인 경우, 프로젝트의 나사 이가 부러질 수 있습니다. 전자 공구를 사용하는 경우 주의하십시오.

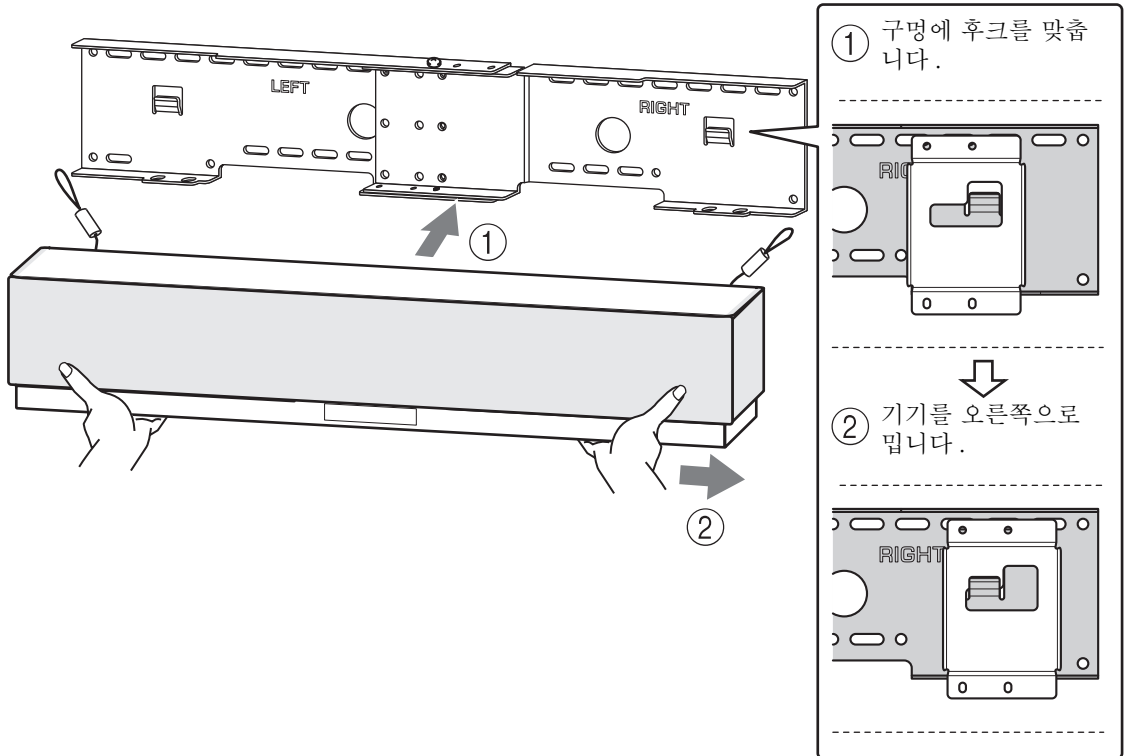
4 안전 와이어를 부착합니다.

안전 와이어를 소형 벽 마운트 브라켓에 부착하여 Digital Sound Projector 가 떨어지지 않도록 합니다.



5 벽에 Digital Sound Projector 를 부착합니다.

Digital Sound Projector 에 부착한 소형 벽 마운트 브라켓의 마운팅 가이드 후크를 대형 벽 마운트 좌우측 구멍에 맞춘 후 기기를 오른쪽으로 밀니다.



참고

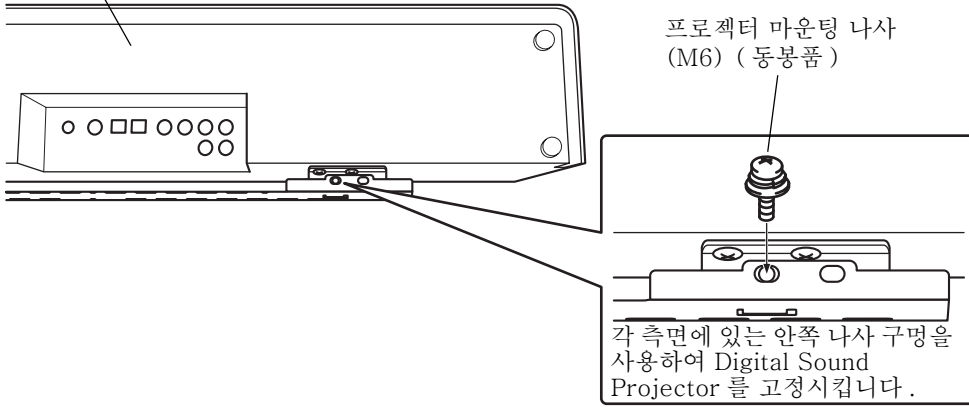
Digital Sound Projector 를 벽에 부착하거나 벽에서 분리하는 경우, 양손으로 Digital Sound Projector 를 단단하게 잡습니다. Digital Sound Projector 를 약하게 잡으면 Digital Sound Projector 가 떨어져 사용자가 부상당할 수 있습니다.

6 기기를 고정시킵니다.

대형 벽 마운트 브라켓의 구멍을 소형 벽 마운트 브라켓 밑면의 구멍에 정렬한 후 동봉된 프로젝터 마운팅 나사 (M6 x 16) 2 개를 사용하여 기기를 고정시킵니다. 나사 구멍의 위치는 Digital Sound Projector 의 유형에 따라 다릅니다. 다음 그림을 참고하여 Digital Sound Projector 를 고정시키는 데 사용되는 나사 구멍의 올바른 위치를 확인하십시오.

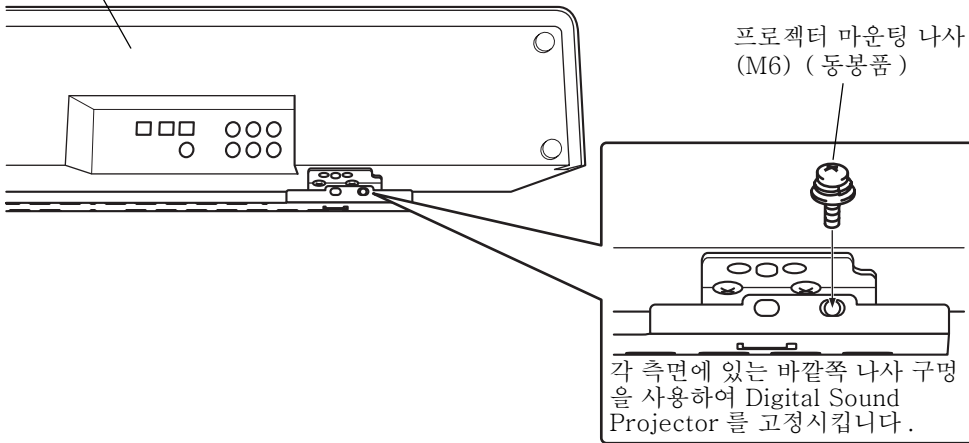
■ YSP-800/YSP-900

Digital Sound Projector 밑면도



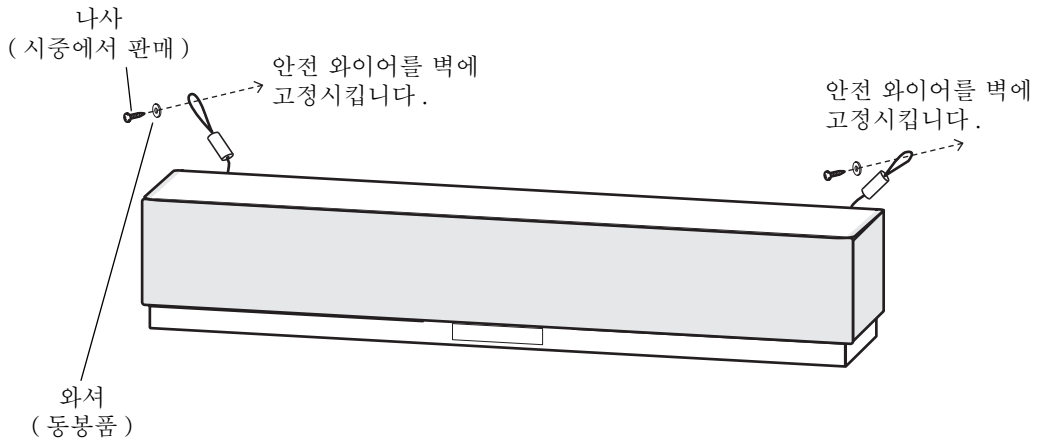
■ YSP-3000/YSP-30D/YSP-3050/HTY-7030/ YSP-4000/YSP-40D/HTY-7040

Digital Sound Projector 밑면도



7 안전 와이어를 벽에 부착합니다.

안전 와이어의 루프에 나사 (시중에서 판매) 를 통과시킨 후 나사를 조여 벽에 안전 와이어를 고정시킵니다. 떨어질 수 있으므로 Digital Sound Projector 및 브라켓 무게를 충분히 견딜 수 있도록 세게 나사를 조이십시오.



참고

- 안전 와이어를 세게 부착합니다.
- 향후에 사용할 수 있도록 나머지 2 개 와셔를 보관하십시오.

デジタルサウンドプロジェクター壁掛け金具

SPM-K30

取付説明書

ヤマハデジタルサウンドプロジェクター壁掛け金具 SPM-K30 をお買い求めいただきまして、まことにありがとうございます。正しくお使いいただくために、ご使用前にこの取付説明書を必ずお読みください。お読みになった後は、大切に保管してください。

本製品を使用してデジタルサウンドプロジェクターの取り付けを行う際は、専門の工事業者または販売店にご依頼ください。お客様による工事は絶対にしないでください。不十分な取り付けを行った場合、デジタルサウンドプロジェクターが落下してけがの原因となります。

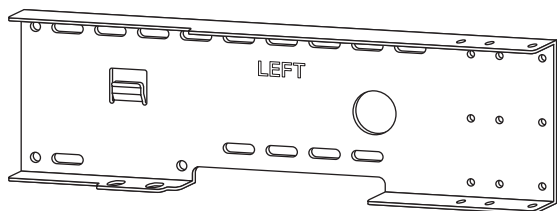
取り扱い上のご注意

- ・本製品を使用してデジタルサウンドプロジェクターを設置する際は、必ず本書に基づいて行ってください。誤った設置や不十分な取り付けは、デジタルサウンドプロジェクターが落下してけがの原因となります。
- ・取り付ける際はデジタルサウンドプロジェクターおよび壁掛け金具などの自重に長期間十分耐え、また地震にも十分耐える施行を行ってください。不十分な取り付けを行った場合、デジタルサウンドプロジェクターが落下してけがの原因となります。
- ・安全確保のため、ネジ類は確実に締め付けてください。デジタルサウンドプロジェクターが落下してけがの原因となります。
- ・設置するときは周囲から十分な間隔をあけてください。十分な間隔をあけないとデジタルサウンドプロジェクター内部に熱がこもり火災の原因となることがあります。
- ・デジタルサウンドプロジェクターにぶら下がらないでください。デジタルサウンドプロジェクターが落下してけがの原因となります。
- ・取り付け後は、定期的に安全点検をしてください。長期間使用すると経年変化や振動等により、ネジがゆるんだり、取付強度が低下することがあります。
- ・取付箇所、取付方法の不備による落下などの事故、または壁面への傷に対する責任は負いかねますのでご注意ください。

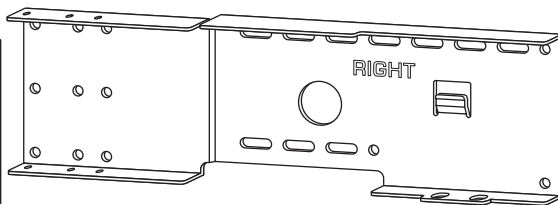
同梱品一覧

設置する前に同梱部品をご確認ください。

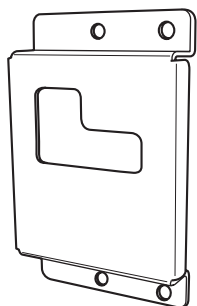
壁掛け金具 (大)
左側 (× 1)



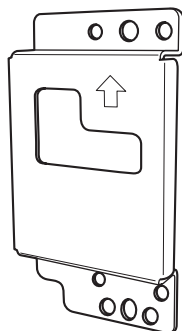
壁掛け金具 (大)
右側 (× 1)



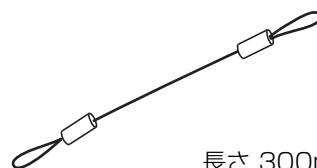
壁掛け金具 (小)
Aタイプ (× 2)



壁掛け金具 (小)
Bタイプ (× 2)



落下防止用ワイヤー
(× 2)



M6、16mm 取付ネジ
(× 6)



M4、10mm 取付ネジ
(× 10)



M6用、外径φ16mm
ワッシャー (× 4)



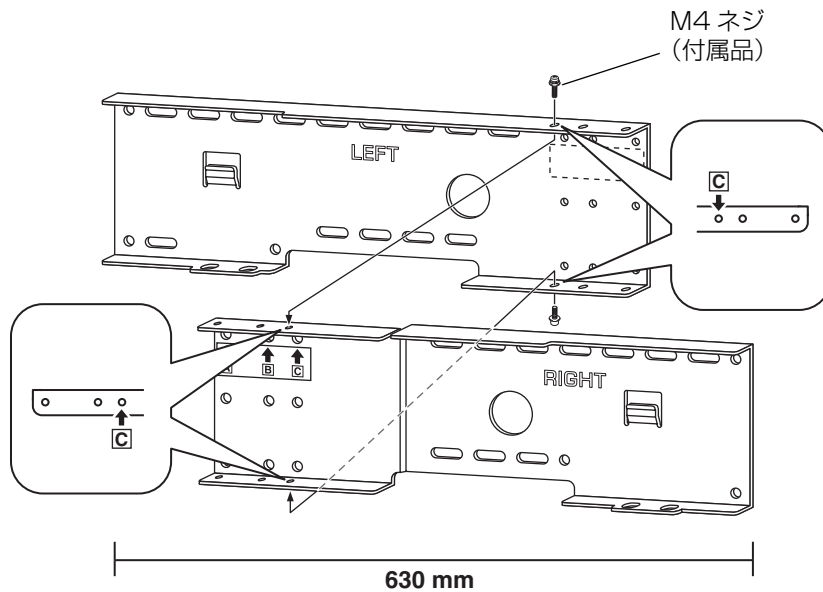
ご注意

上記付属品のほかに市販のタッピングネジ (φ4mm、長さ 25mm 以上) とワッシャーを 6 セット以上ご用意ください。

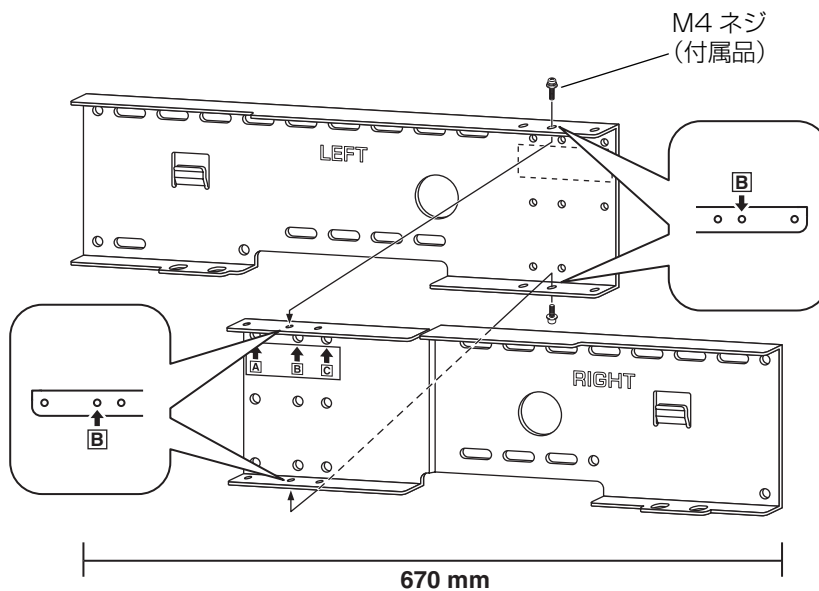
組立手順

お使いのデジタルサウンドプロジェクターによって、組み立て後のサイズが異なります。
ネジ穴の位置をよく確認して組み立ててください。

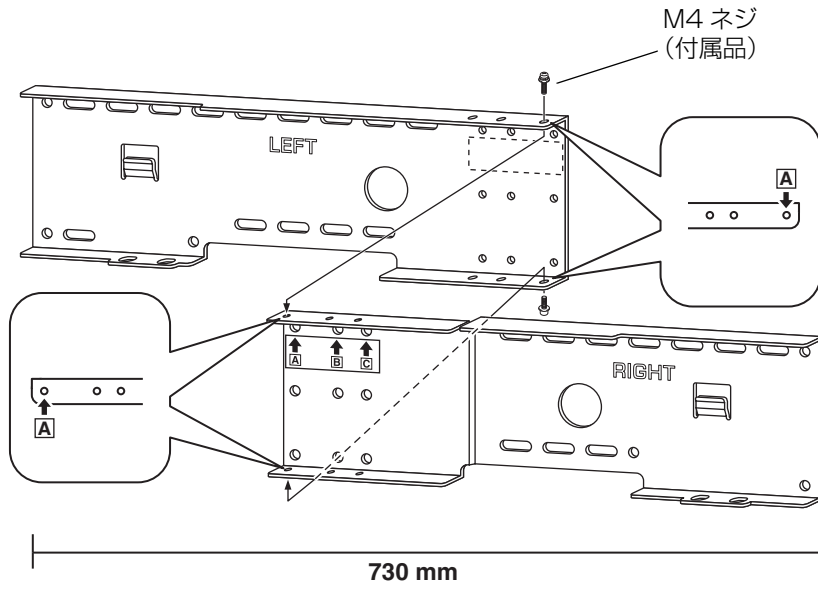
YSP-800、YSP-900 の場合



YSP-3000 の場合



YSP-4000 の場合



取付手順

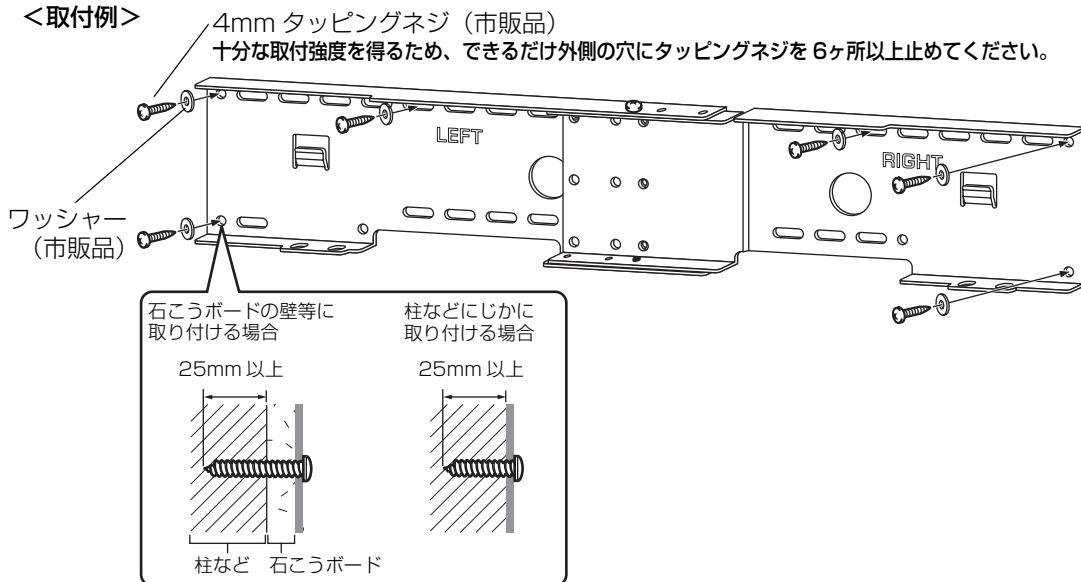
設置場所に、本壁掛け金具とデジタルサウンドプロジェクターを取り付けるのに十分なスペースがあることを確認し、以下の手順にしたがって取付作業を行ってください。手順の中で示されている図では、例として YSP-800/900 の場合を示しています。

1 壁掛け金具（大）を壁に取り付ける

壁の構造や材質に合わせ、十分に強度が得られる方法で壁掛け金具（大）を壁にしっかりと取り付けてください。取り付ける場所には、取り付けに適した、強度のある壁をお選びください。

取付位置を決定する際には、巻頭に記載の「各部の寸法」を参考にしてください。

<取付例>

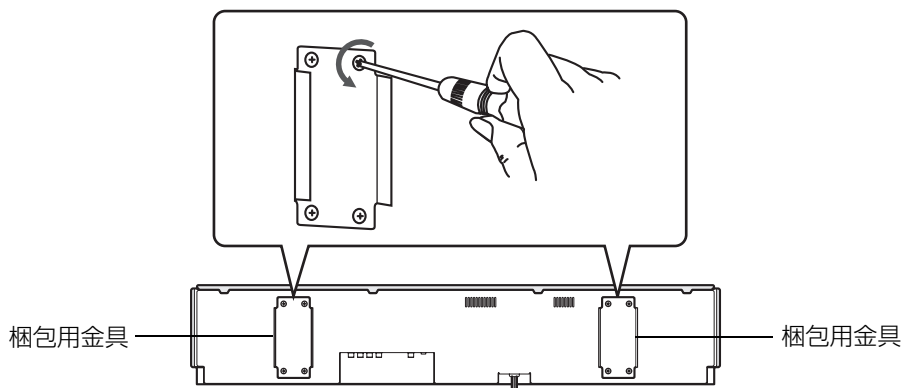


で注意

ネジを止める場所には、しっかりとした壁または柱を選んでください。モルタルや化粧ベニア板など、はがれやすい材質の壁には取り付けしないでください。ネジが抜けてデジタルサウンドプロジェクターが落下すると、けがの原因となります。

2 デジタルサウンドプロジェクターから梱包用金具を取り外す (YSP-800の一部のみ)

デジタルサウンドプロジェクター背面の左右2箇所に梱包用金具が付いている場合は、金具を取り外してください。梱包用金具が付いていない場合は、手順3へお進みください。



3 壁掛け金具（小）をデジタルサウンドプロジェクターに取り付ける

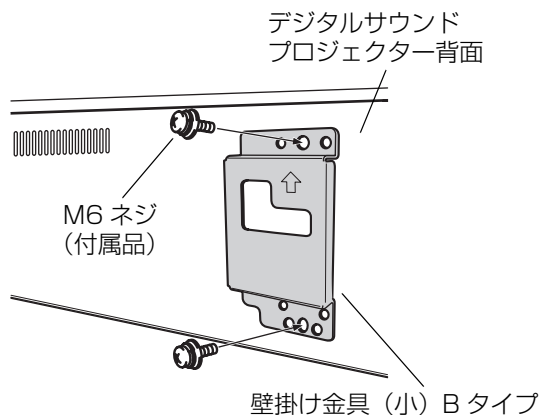
本製品を取り付けるデジタルサウンドプロジェクターによって、取り付ける壁掛け金具（小）が異なります。デジタルサウンドプロジェクターの種類と、対応する壁掛け金具（小）のタイプ（A または B）については、下の表をご覧ください。

YSP-4000 の場合は付属の M6 ネジ、その他のモデルでは付属の M4 ネジを使用して、壁掛け金具（小）2 個をデジタルサウンドプロジェクター背面の左右 2 箇所に取り付けてください。

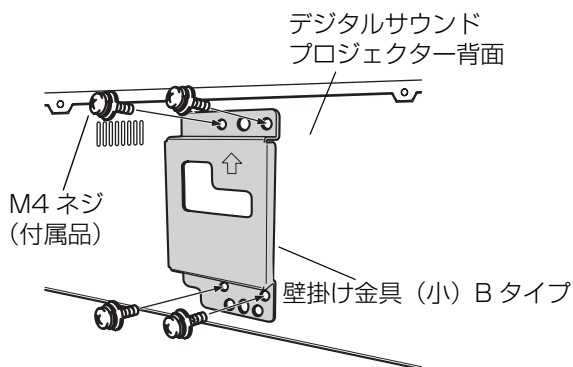
デジタルサウンドプロジェクター	壁掛け金具（小）
YSP-800 YSP-900	A タイプ
YSP-3000 YSP-4000	B タイプ

左右 2 箇所に取り付けてください。

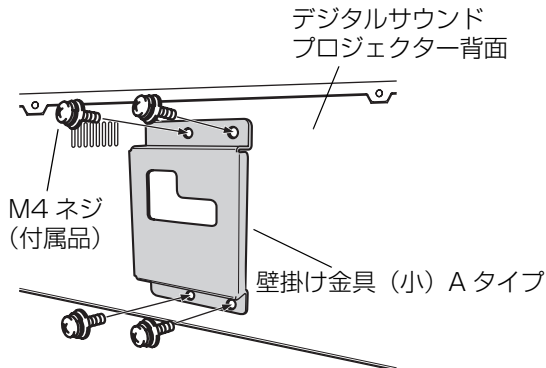
■ YSP-4000



■ YSP-3000



■ YSP-800 / YSP-900

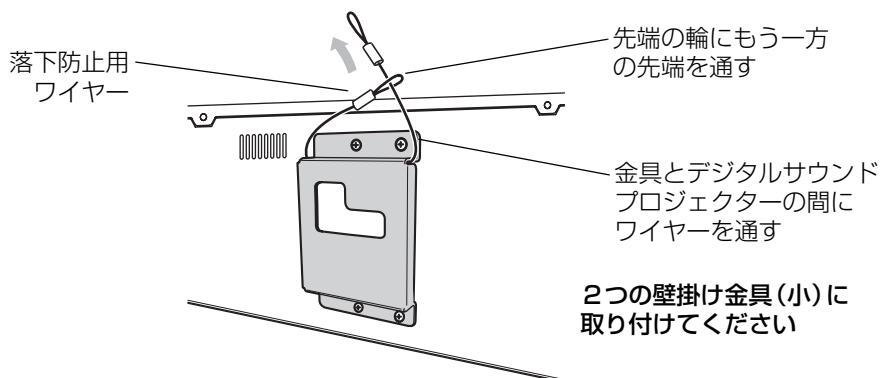


ご注意

- ・ 梱包用金具が付いていない機種には、穴の内部にフェルトの皮膜がありますが、ネジを締め込むと貫通します。
- ・ 誤って取付ネジを斜めに締めると、本体内部に取り付けられているナットのネジ山を潰してしまうことがあります。特に電動工具を使用する場合はご注意ください。

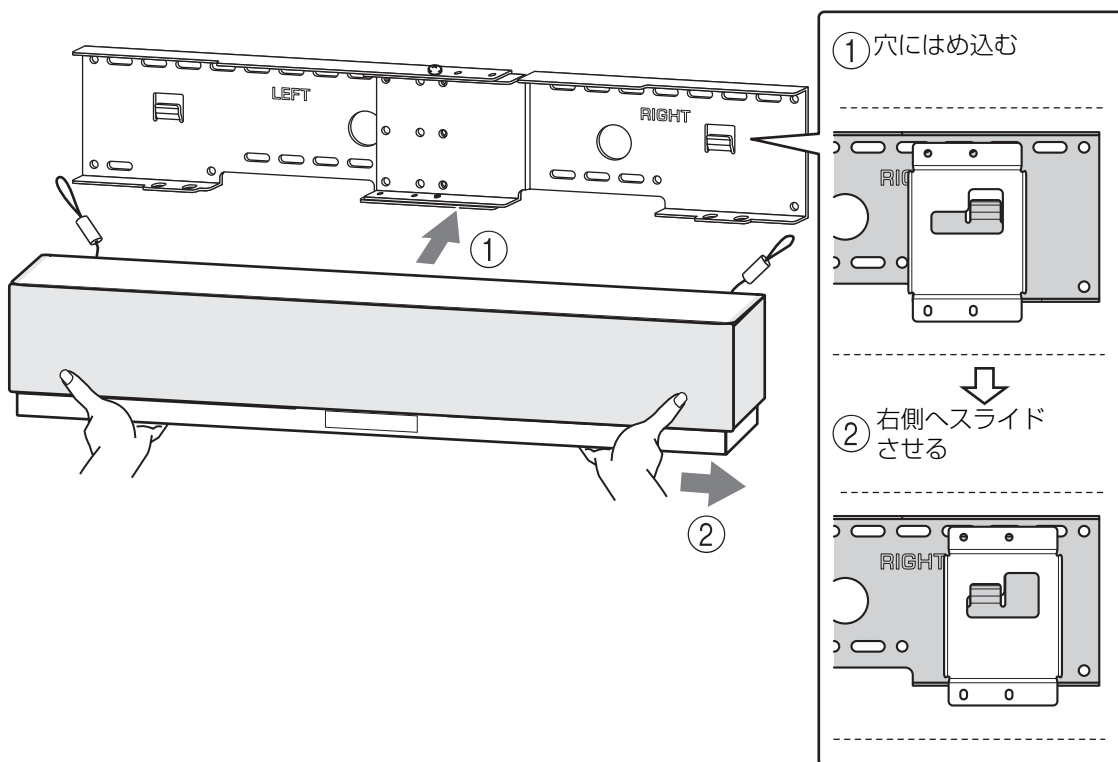
4 落下防止用ワイヤーを取り付ける

落下防止のため、壁掛け金具（小）に落下防止用ワイヤーを取り付けてください。



5 デジタルサウンドプロジェクターを壁に取り付ける

デジタルサウンドプロジェクターに取り付けた壁掛け金具（小）のフックを、壁に取り付けた壁掛け金具（大）左右の取付穴に引っ掛け、右側にスライドさせてください。



ご注意

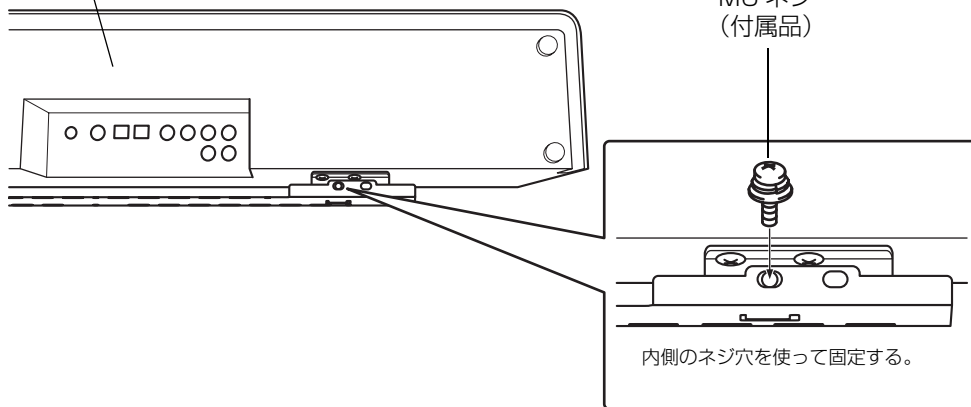
デジタルサウンドプロジェクターを壁に取り付けるとき、または取り外すときには、本体を両手でしっかり保持してください。デジタルサウンドプロジェクターが落下するとケガの原因となります。

6 固定する

壁掛け金具（大）と壁掛け金具（小）の下側のネジ穴を合わせ、付属の M6 ネジを締め付けて固定してください。お使いのデジタルサウンドプロジェクターによって、固定するネジ穴が異なります。下図をよく確認し、正しいネジ穴を使って固定してください。デジタルサウンドプロジェクターに接続したケーブル類は、手や足に引っ掛けないようご注意ください。

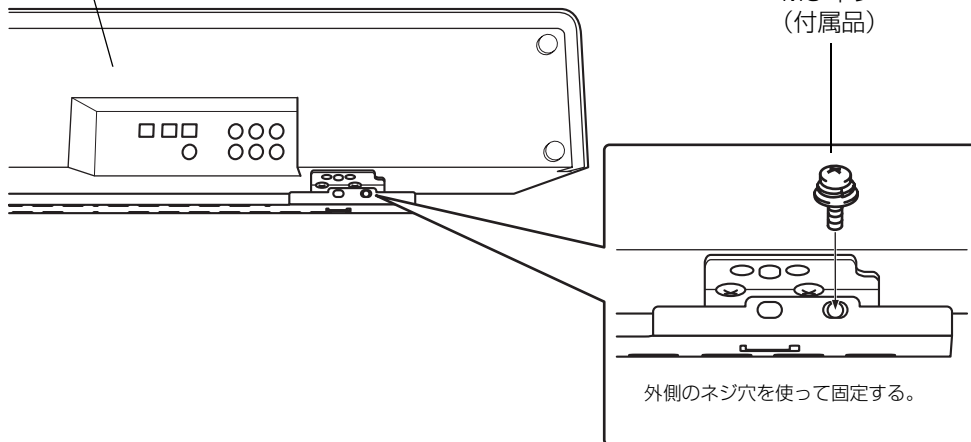
■ YSP-800 / YSP-900

デジタルサウンド
プロジェクター底面



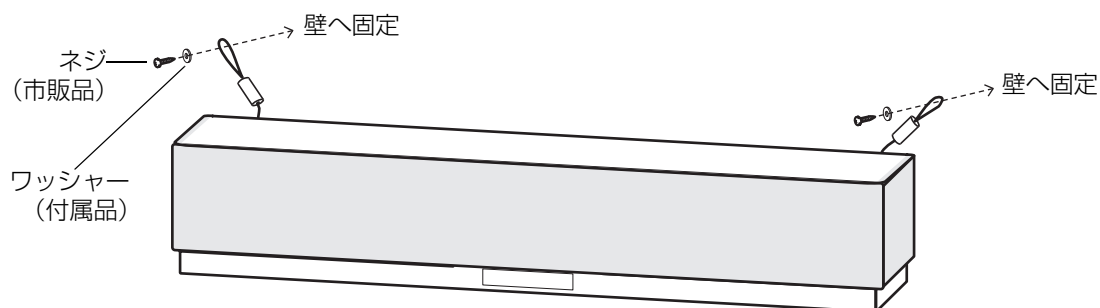
■ YSP-3000 / YSP-4000

デジタルサウンド
プロジェクター底面



7 落下防止用ワイヤーを壁に取り付ける

落下防止用ワイヤー先端の輪に市販のネジを通し、壁にしっかりと固定してください。ネジは万が一デジタルサウンドプロジェクターと壁掛け金具が落下した際にも、自重に十分耐えられるものを使用してください。



ご注意

- ・ 落下防止用ワイヤーはたるみがないように取り付けてください。
- ・ ワッシャー 2 個は予備としてお使いください。

ヤマハホットラインサービスネットワーク

ヤマハホットラインサービスネットワークは、本機を末永く、安心してご愛用いただくためのものです。サービスのご依頼、お問い合わせは、お買い上げ店、またはお近くのサービス拠点にご連絡ください。

ヤマハAV製品の機能や取り扱いに関するお問い合わせ

■ ヤマハオーディオ&ビジュアルホームページ

お客様から寄せられるよくあるご質問をまとめておりますので、ご参考にしてください。

<http://www.yamaha.co.jp/audio/>

■ AVお客様ご相談センター



0570-01-1808

全国どこからでも市内通話料金でご利用いただけます。

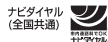
携帯電話、PHS、IP電話からは下記番号におかけください。
TEL (053) 460-3409

FAX (053) 460-3459
〒430-8650 静岡県浜松市中区中沢町10-1

受 付 日：月～土曜日(祝日およびセンターの休業日を除く)
受付時間：10:00～12:00、13:00～18:00

ヤマハAV製品の修理、サービスパーツに関するお問い合わせ

■ ヤマハ電気音響製品修理受付センター



0570-01-2808

全国どこからでも市内通話料金でご利用いただけます。

携帯電話、PHS、IP電話からは下記番号におかけください。
TEL (053) 460-4830

FAX (053) 463-1127

受 付 日：月～土曜日(祝日およびセンターの休業日を除く)
受付時間：月～金曜日 9:00～19:00 土曜日 9:00～17:30

修理お持ち込み窓口

受 付 日：月～金曜日(祝日および弊社の休業日を除く)
受付時間：9:00～17:45

北海道 〒064-8543 札幌市中央区南10条西1丁目1-50
ヤマハセンター内
FAX (011)512-6109

首都圏 〒143-0006 東京都大田区平和島2丁目1-1
京浜トラクターミナル内14号棟A-5F
FAX (03)5762-2125

浜松 〒435-0016 浜松市東区和田町200
ヤマハ(株)和田工場内
FAX (053)462-9244

名古屋 〒454-0058 名古屋市中川区玉川町2丁目1-2
ヤマハ(株)名古屋倉庫3F
FAX (052)652-0043

大阪 〒564-0052 吹田市広芝町10-28
オーク江坂ビルディング2F
FAX (06)6330-5535

九州 〒812-8508 福岡市博多区博多駅前2丁目11-4
FAX (092)472-2137

*名称、住所、電話番号、URLなどは変更になる場合があります。

Above information is applicable to customers who live in Japan only.
ヤマハホットラインサービスネットワークは、日本国内居住のお客様専用です。



● 保証期間

お買い上げ日から1年間です。

● 保証期間中の修理

保証書の記載内容に基づいて修理させていただきます。詳しくは保証書をご覧ください。

● 保証期間が過ぎているとき

修理によって製品の機能が維持できる場合にはご要望により有料にて修理いたします。

● 修理料金の仕組み

技術料 故障した製品を正常に修復するための料金です。技術者の人件費、技術教育費、測定機器等設備費、一般管理費等が含まれています。
部品代 修理に使用した部品代金です。その他修理に付帯する部材等を含む場合もあります。
出張料 製品のある場所へ技術者を派遣する場合の費用です。別途、駐車料金をいただく場合があります。

● 補修用性能部品の最低保有期間

補修用性能部品の最低保有期間は、製造打ち切り後8年です。補修用性能部品とは、その製品の機能を維持するために必要な部品です。

● 製品の状態は詳しく

サービスをご依頼されるときは製品の状態をできるだけ詳しくお知らせください。また製品の品番、製造番号などもあわせてお知らせください。
※ 品番、製造番号は製品の背面もしくは底面に表示してあります。

● スピーカーの修理

スピーカーの修理可能範囲はスピーカーユニットなど振動系と電気部品です。尚、修理はスピーカーユニット交換となりますので、エージングの差による音色の違いが出る場合があります。

● 摩耗部品の交換について

本機には使用年数とともに性能が劣化する摩耗部品(下記参照)が使用されています。摩耗部品の劣化の進行度合は使用環境や使用時間等によって大きく異なります。
本機を末永く安定してご愛用いただくためには、定期的に摩耗部品を交換されることをおすすめします。
摩耗部品の交換は必ずお買い上げ店、またはヤマハ電気音響製品修理受付センターへご相談ください。

摩耗部品の一例

ボリュームコントロール、スイッチ・リレー類、接続端子、ランプ、ベルト、ピンチローラー、磁気ヘッド、光ヘッド、モーター類など

※ このページは、安全にご使用いただくためにAV製品全般について記載しております。

永年ご使用の製品の点検を!



愛情点検

こんな症状はありませんか?

- 電源コード・プラグが異常に熱い。
- コゲくさい臭いがする。
- 電源コードに深いキズか変形がある。
- 製品に触れるとビリビリと電気を感ずる。
- 電源を入れても正常に作動しない。
- その他の異常・故障がある。



すぐに使用を中止してください。

事故防止のため電源プラグをコンセントから抜き、必ず販売店に点検をご依頼ください。
なお、点検・修理に要する費用は販売店にご相談ください。