

YPC-1

PASSIVE CONTROLLER



OWNER'S MANUAL

CAUTION: READ THIS BEFORE OPERATING THIS UNIT

- To assure the finest performance, please read this manual carefully. Keep it in a safe place for future reference.
- Install this unit in a well ventilated, cool, dry, clean place - away from direct sunlight, heat sources, vibration, dust, moisture, and/or cold.
- Locate this unit away from other electrical appliances, motors, or transformers to avoid humming sounds.
- Do not expose this unit to sudden temperature changes from cold to hot, and do not locate this unit in a environment with high humidity (i.e. a room with a humidifier) to prevent condensation inside this unit, which may cause as electrical shock, fire, damage to this unit, and/or personal injury.
- Avoid installing this unit where foreign object may fall onto this unit and/or this unit may be exposed liquid dripping or splashing. On the top of this unit, do NOT place:
 - Other components, as they may cause damage and/or discoloration on the surface of this unit.
 - Burning objects (i.e. candles), as they may cause fire, damage to this unit, and/or personal injury.
 - Containers with liquid in them, as they may fall and liquid may cause electrical shock to the user and/or damages to this unit.
- Do not operate this unit upside-down. It may overheat, possibly causing damage.
- Do not use force on switches, knobs and/or cords.
- Do not clean this unit with chemical solvents; this might damage the finish. Use a clean, dry cloth.
- Do not attempt to modify or fix this unit. Contact qualified YAMAHA service personnel when any service is needed. The cabinet should never be opened for any reasons.

WARNING

TO REDUCE THE RISK OF FIRE OR ELECTRIC SHOCK, DO NOT EXPOSE THIS UNIT TO RAIN OR MOISTURE.

FEATURES

The Yamaha YPC-1 passive controller features a 5-way input selector and a volume adjustment function. Since it does not include any active elements, such as an internal amplifier, the YPC-1 can route an unmodified analog source signal to the output jacks.

Typically, you can connect the YPC-1 prior to the power amplifier to select the input source and adjust the volume level. It also features two identical output jacks that enable bi-amp connection.

The YPC-1 uses high-quality parts specially selected for the best sound quality for the jacks, switches and volume control, minimizing analog signal deterioration during transmission.

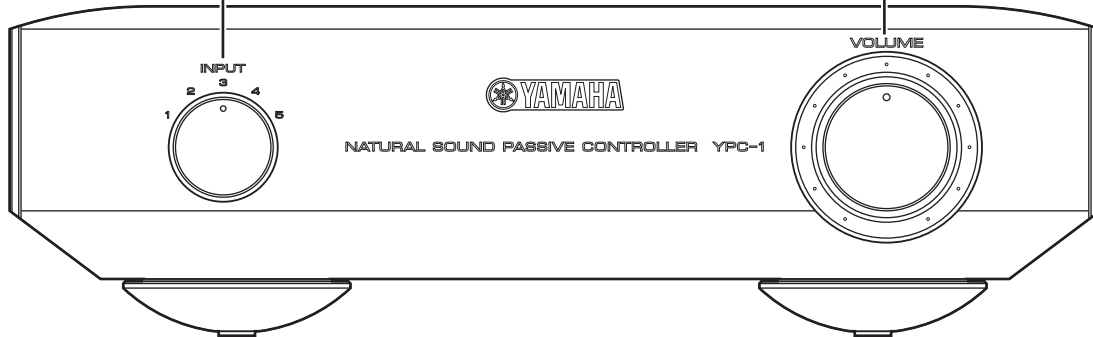
CONTROLS AND FUNCTIONS

INPUT selector

Selects the signal source from five AUDIO INPUT jacks (1-5) on the rear panel.

VOLUME control

Adjusts the signal level at the AUDIO OUTPUT jacks.
Turn the volume to minimum before playing the sources.

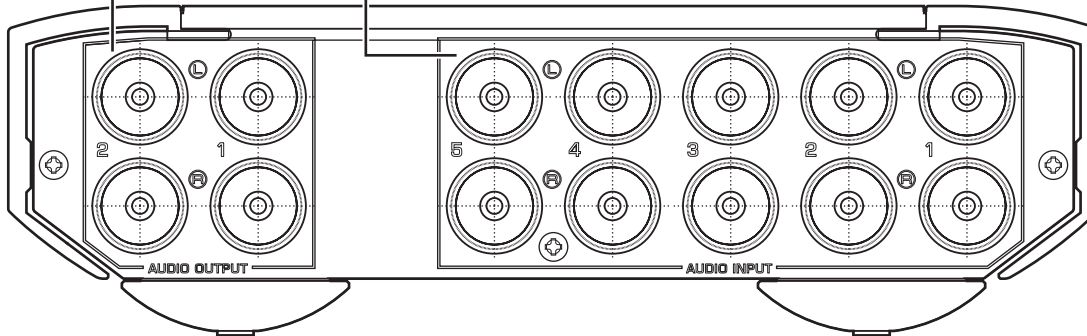


AUDIO OUTPUT jacks

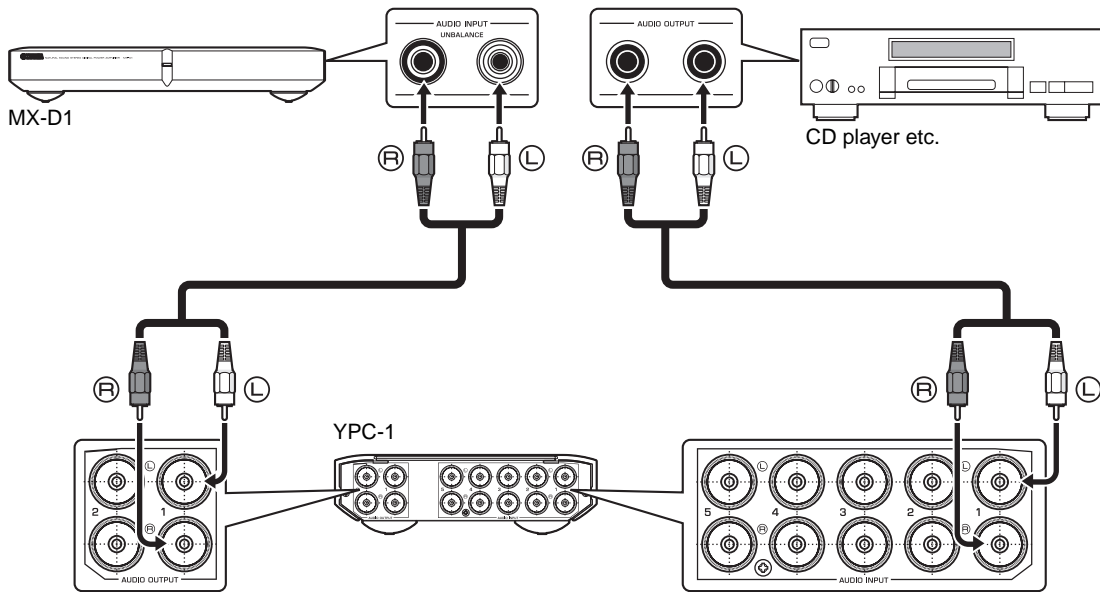
Connect a power amplifier to these jacks.
The same signal is output to these two jacks (1 and 2).

AUDIO INPUT jacks

Connect external components to these jacks to input analog signals.
Use the INPUT selector on the front panel to select an input source from jacks 1 through 5.



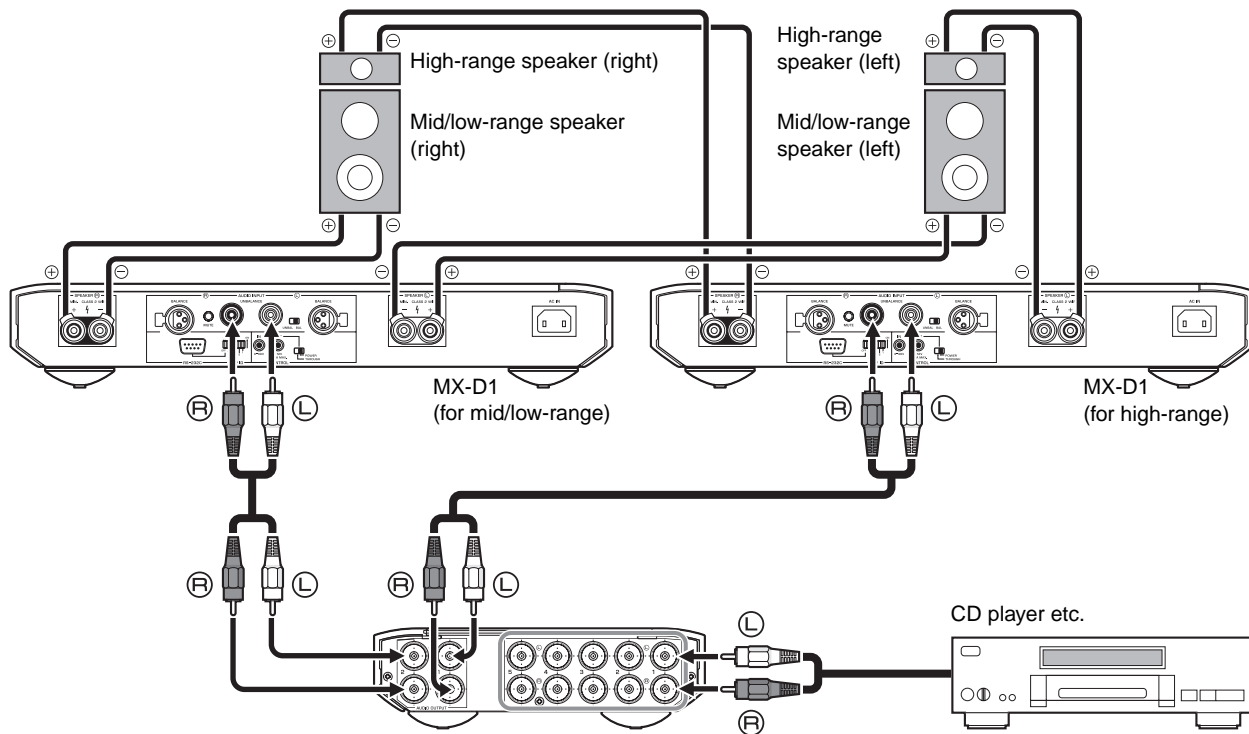
CONNECTIONS



Turn off the power of the power amplifier, and then use high-quality, short audio pin cables to connect the power amplifier.

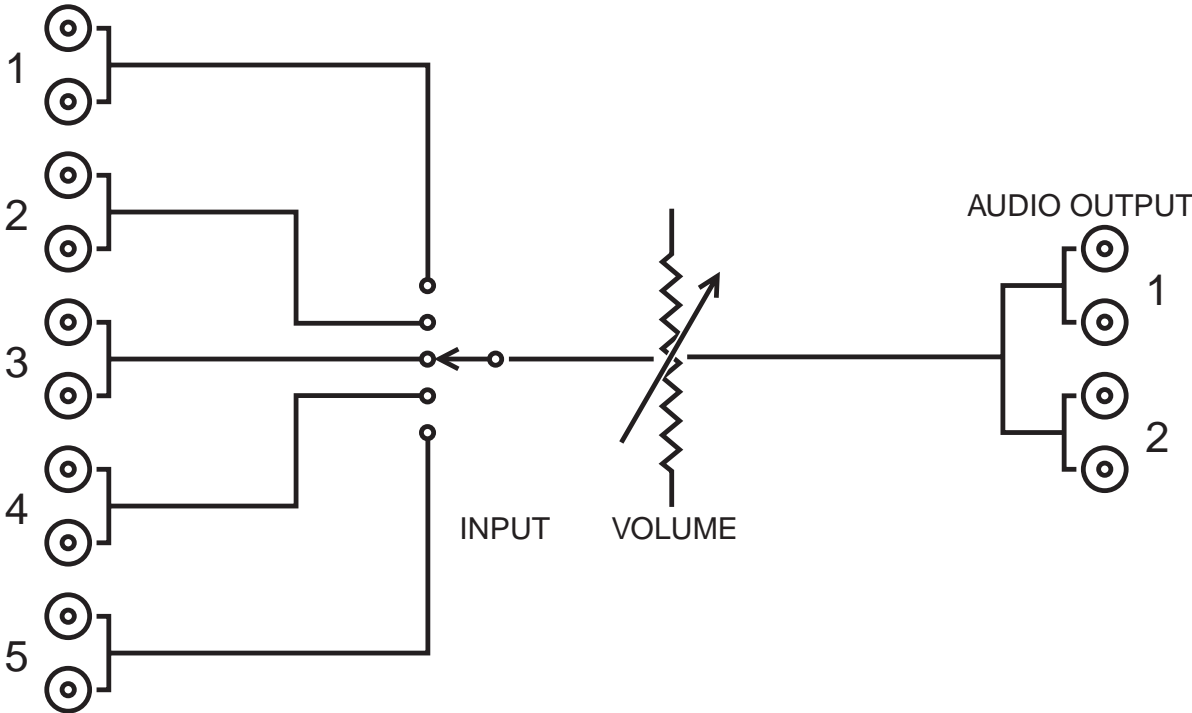
You can connect up to five components that feature analog audio output jacks. Use high-quality audio pin cables for connection.

<Bi-amp connection example using MX-D1>



BLOCK DIAGRAM

AUDIO INPUT



The VOLUME control features a precut brass case, gold plated multi-contact brush, and low-resistance, low-distortion carbon ink, which together provide very smooth operation and an L/R linkage error of ± 1 dB or less.



The INPUT selector features a rotary switch designed specifically for the YPC-1. The contact resistance is less than $5\text{m}\Omega$, which contributes to signal transmission with less distortion.



SPECIFICATIONS

Input	Connectors	: Five stereo pairs (RCA pin jacks)
	Max. input	: 30 V
	Impedance	: 10 k Ω
Volume	Max. attenuation	: 120 dB
	LR linkage tolerance:	± 1 dB (-100 dB to 0 dB)
Output	Connectors	: Two stereo pairs (RCA pin jacks)
	Impedance	: 10 k Ω or less
Dimensions	240 x 75 x 269 mm (9-7/16" x 2-15/16" x 10-9/16") (W x H x D)	
Weight	3.4 kg (7 lbs 8 oz)	

Specifications are subject to change without notice.



This document is printed on chlorine free (ECF) paper with soy ink.

©2003 YAMAHA CORPORATION All Rights Reserved.

YAMAHA ELECTRONICS CORPORATION, USA 6660 ORANGETHORPE AVE., BUENA PARK, CALIF. 90620, U.S.A.
YAMAHA CANADA MUSIC LTD. 135 MILNER AVE., SCARBOROUGH, ONTARIO M1S 3R1, CANADA
YAMAHA ELECTRONIK EUROPA G.m.b.H. SIEMENSSTR. 22-34, 25462 RELLINGEN BEI HAMBURG, F.R. OF GERMANY
YAMAHA ELECTRONIQUE FRANCE S.A. RUE AMBROISE CROIZAT BP70 CROISSY-BEAUBOURG 77312 MARNE-LA-VALLÉE CEDEX02, FRANCE
YAMAHA ELECTRONICS (UK) LTD. YAMAHA HOUSE, 200 RICKMANSWORTH ROAD WATFORD, HERTS WD18 7GQ, ENGLAND
YAMAHA SCANDINAVIA A.B. J A WETTERGRENS GATA 1, BOX 30053, 400 43 VÄSTRA FRÖLUNDA, SWEDEN
YAMAHA MUSIC AUSTRALIA PTY, LTD. 17-33 MARKET ST., SOUTH MELBOURNE, 3205 VIC., AUSTRALIA

YAMAHA CORPORATION
Printed in Japan  WC04310