



Studio Manager Version 2 Installation Guide

ATTENTION

SOFTWARE LICENSE AGREEMENT

PLEASE READ THIS SOFTWARE LICENSE AGREEMENT ("AGREEMENT") CAREFULLY BEFORE USING THIS SOFTWARE. YOU ARE ONLY PERMITTED TO USE THIS SOFTWARE PURSUANT TO THE TERMS AND CONDITIONS OF THIS AGREEMENT. THIS AGREEMENT IS BETWEEN YOU (AS AN INDIVIDUAL OR LEGAL ENTITY) AND YAMAHA CORPORATION ("YAMAHA").

BY DOWNLOADING, INSTALLING, COPYING, OR OTHERWISE USING THIS SOFTWARE YOU ARE AGREEING TO BE BOUND BY THE TERMS OF THIS LICENSE. IF YOU DO NOT AGREE WITH THE TERMS, DO NOT DOWNLOAD, INSTALL, COPY, OR OTHERWISE USE THIS SOFTWARE. IF YOU HAVE DOWNLOADED OR INSTALLED THE SOFTWARE AND DO NOT AGREE TO THE TERMS, PROMPTLY DELETE THE SOFTWARE.

1. GRANT OF LICENSE AND COPYRIGHT

Yamaha hereby grants you the right to use one copy of the software program(s) and data ("SOFTWARE") accompanying this Agreement. The term SOFTWARE shall encompass any updates to the accompanying software and data. The SOFTWARE is owned by Yamaha and/or Yamaha's licensor(s), and is protected by relevant copyright laws and all applicable treaty provisions. While you are entitled to claim ownership of the data created with the use of SOFTWARE, the SOFTWARE will continue to be protected under relevant copyrights.

- **You may** use the SOFTWARE on a **single computer**.
- **You may** make one copy of the SOFTWARE in machine-readable form for backup purposes only, if the SOFTWARE is on media where such backup copy is permitted. On the backup copy, you must reproduce Yamaha's copyright notice and any other proprietary legends that were on the original copy of the SOFTWARE.
- **You may** permanently transfer to a third party all your rights in the SOFTWARE, provided that you do not retain any copies and the recipient reads and agrees to the terms of this Agreement.

2. RESTRICTIONS

- **You may not** engage in reverse engineering, disassembly, decompilation or otherwise deriving a source code form of the SOFTWARE by any method whatsoever.
- **You may not** reproduce, modify, change, rent, lease, or distribute the SOFTWARE in whole or in part, or create derivative works of the SOFTWARE.
- **You may not** electronically transmit the SOFTWARE from one computer to another or share the SOFTWARE in a network with other computers.
- **You may not** use the SOFTWARE to distribute illegal data or data that violates public policy.
- **You may not** initiate services based on the use of the SOFTWARE without permission by Yamaha Corporation.

Copyrighted data, including but not limited to MIDI data for songs, obtained by means of the SOFTWARE, are subject to the following restrictions which you must observe.

- Data received by means of the SOFTWARE may not be used for any commercial purposes without permission of the copyright owner.
- Data received by means of the SOFTWARE may not be duplicated, transferred, or distributed, or played back or performed for listeners in public without permission of the copyright owner.
- The encryption of data received by means of the SOFTWARE may not be removed nor may the electronic watermark be modified without permission of the copyright owner.

3. TERMINATION

This Agreement becomes effective on the day that you receive the SOFTWARE and remains effective until terminated. If any copyright law or provisions of this Agreement is violated, the Agreement shall terminate automatically and immediately without notice from Yamaha. Upon such termination, you must immediately destroy the licensed SOFTWARE, any accompanying written documents and all copies thereof.

4. DISCLAIMER OF WARRANTY ON SOFTWARE

You expressly acknowledge and agree that use of the SOFTWARE is at your sole risk. The SOFTWARE and related documentation are provided "AS IS" and without warranty of any kind. NOTWITHSTANDING ANY OTHER PROVISION OF THIS AGREEMENT, YAMAHA EXPRESSLY DISCLAIMS ALL WARRANTIES AS TO THE SOFTWARE, EXPRESS, AND IMPLIED, INCLUDING BUT NOT LIMITED TO THE IMPLIED WARRANTIES OF MERCHANTABILITY, FITNESS FOR A PARTICULAR PURPOSE AND NON-INFRINGEMENT OF THIRD PARTY RIGHTS. SPECIFICALLY, BUT WITHOUT LIMITING THE FOREGOING, YAMAHA DOES NOT WARRANT THAT THE SOFTWARE WILL MEET YOUR REQUIREMENTS, THAT THE OPERATION OF THE SOFTWARE WILL BE UNINTERRUPTED OR ERROR-FREE, OR THAT DEFECTS IN THE SOFTWARE WILL BE CORRECTED.

5. LIMITATION OF LIABILITY

YAMAHA'S ENTIRE OBLIGATION HEREUNDER SHALL BE TO PERMIT USE OF THE SOFTWARE UNDER THE TERMS HEREOF. IN NO EVENT SHALL YAMAHA BE LIABLE TO YOU OR ANY OTHER PERSON FOR ANY DAMAGES, INCLUDING, WITHOUT LIMITATION, ANY DIRECT, INDIRECT, INCIDENTAL OR CONSEQUENTIAL DAMAGES, EXPENSES, LOST PROFITS, LOST DATA OR OTHER DAMAGES ARISING OUT OF THE USE, MISUSE OR INABILITY TO USE THE SOFTWARE, EVEN IF YAMAHA OR AN AUTHORIZED DEALER HAS BEEN ADVISED OF THE POSSIBILITY OF SUCH DAMAGES. In no event shall Yamaha's total liability to you for all damages, losses and causes of action (whether in contract, tort or otherwise) exceed the amount paid for the SOFTWARE.

6. THIRD PARTY SOFTWARE

Third party software and data ("THIRD PARTY SOFTWARE") may be attached to the SOFTWARE. If, in the written materials or the electronic data accompanying the Software, Yamaha identifies any software and data as THIRD PARTY SOFTWARE, you acknowledge and agree that you must abide by the provisions of any Agreement provided with the THIRD PARTY SOFTWARE and that the party providing the THIRD PARTY SOFTWARE is responsible for any warranty or liability related to or arising from the THIRD PARTY SOFTWARE. Yamaha is not responsible in any way for the THIRD PARTY SOFTWARE or your use thereof.

- Yamaha provides no express warranties as to the THIRD PARTY SOFTWARE. IN ADDITION, YAMAHA EXPRESSLY DISCLAIMS ALL IMPLIED WARRANTIES, INCLUDING BUT NOT LIMITED TO THE IMPLIED WARRANTIES OF MERCHANTABILITY AND FITNESS FOR A PARTICULAR PURPOSE, as to the THIRD PARTY SOFTWARE.
- Yamaha shall not provide you with any service or maintenance as to the THIRD PARTY SOFTWARE.
- Yamaha is not liable to you or any other person for any damages, including, without limitation, any direct, indirect, incidental or consequential damages, expenses, lost profits, lost data or other damages arising out of the use, misuse or inability to use the THIRD PARTY SOFTWARE.

7. GENERAL

This Agreement shall be interpreted according to and governed by Japanese law without reference to principles of conflict of laws. Any dispute or procedure shall be heard before the Tokyo District Court in Japan. If for any reason a court of competent jurisdiction finds any portion of this Agreement to be unenforceable, the remainder of this Agreement shall continue in full force and effect.

8. COMPLETE AGREEMENT

This Agreement constitutes the entire agreement between the parties with respect to use of the SOFTWARE and any accompanying written materials and supersedes all prior or contemporaneous understandings or agreements, written or oral, regarding the subject matter of this Agreement. No amendment or revision of this Agreement will be binding unless in writing and signed by a fully authorized representative of Yamaha.

Special Notices

- The software and this manual are the exclusive copyrights of Yamaha Corporation.
- Please read carefully the Software Licensing Agreement at the front of this manual before installing the application.
- Copying of the software or reproduction of this manual in whole or in part by any means is expressly forbidden without the written consent of the manufacturer.
- Yamaha makes no representations or warranties with regard to the use of the software and documentation and cannot be held responsible for the results of the use of this manual and the software.
- Future upgrades of application and system software and any changes in specifications and functions will be announced at the following website.
<http://www.yamahasynth.com/download/> (Music Production)
<http://www.yamahaproaudio.com/> (Professional Audio)
- The screen displays as illustrated in this manual are for instructional purposes, and may appear somewhat different from the screens which appear on your computer.
- The illustrations and LCD screens as shown in this owner's manual are for instructional purposes only, and may appear somewhat different from those on your instrument.
- Copying of the commercially available musical data including but not limited to MIDI data and/or audio data is strictly prohibited except for your personal use.
- Windows is the registered trademarks of Microsoft® Corporation.
- Apple and Macintosh are trademarks of Apple Computer, Inc., registered in the U.S. and other countries.
- The company names and product names in this manual are the trademarks or registered trademarks of their respective companies.

Precautions when using the USB TO HOST connector

When connecting the computer to the USB TO HOST connector, make sure to observe the following points. Failing to do so risks freezing the computer and corrupting or even losing the data. If the computer or the instrument freezes, turn the power to the instrument off or restart the computer.

- ⚠ CAUTION**
- Before connecting the computer to the USB TO HOST connector, exit from any power-saving mode (such as suspended, sleep, standby) of the computer.
 - Before turning on the power to the instrument, connect the computer to the USB TO HOST connector.
 - Execute the following before turning the power to the instrument on/off or plugging/unplugging the USB cable to/from the USB TO HOST connector.
 - Quit any open applications.
 - Make sure that data is not being transmitted from the instrument. (Data is transmitted only by playing notes on the keyboard or playing back a song.)
 - While a USB device is connected to the instrument, you should wait for six seconds or more between these operations: (1) when turning the power of the instrument off then on again, or (2) when alternately connecting/disconnecting the USB cable.

Studio Manager

Studio Manager is a cross-platform application that enables you to start multiple Editors that control YAMAHA hardware products remotely, and to save multiple Editor settings. You can run Studio Manager as a stand-alone application, or as a plug-in within DAW (digital audio workstation)/sequencer applications that are compatible with Total Recall, such as Cubase SX 3.0.1 or later. In either case, the basic functionality is the same. For the latest information on compatible DAW applications, refer to the following website.

<http://www.studioconnections.org/>

Installing the Software

The actual installation steps and the use of the software itself differs depending on the operating system that you are using. Please refer to the appropriate installation instructions.

Procedures		Windows	Macintosh
1	Verify that your system meets the operating requirements of each software program.	page 4	page 7
2	Install the appropriate driver to your computer.	page 4	page 7
3	Install the Studio Manager and each editor.	page 6	page 8
4	Start up the Studio Manager, then start up the editor.	Refer to the PDF manual and installation guide for your particular editor.	

For subsequent operations, refer to the PDF manual from the [HELP] menu in each software program.

For Windows Users

Minimum System Requirements

Make sure that the computer you are using satisfies the recommended system requirements for each editor software. For details about the system requirements, refer to the owner's manual for each editor.

NOTE The system requirements may differ slightly depending on the particular operating system.

Windows Software Installation

To use the Studio Manager, you'll need to install the following software programs. Follow the appropriate instructions below corresponding to the software you're using.

- **USB-MIDI driver (when connecting via USB) , DME-N Network Driver (when connecting via Ethernet) or mLAN Tools (when connecting via mLAN)**
- **Studio Manager**
- **Editor software for your particular hardware**

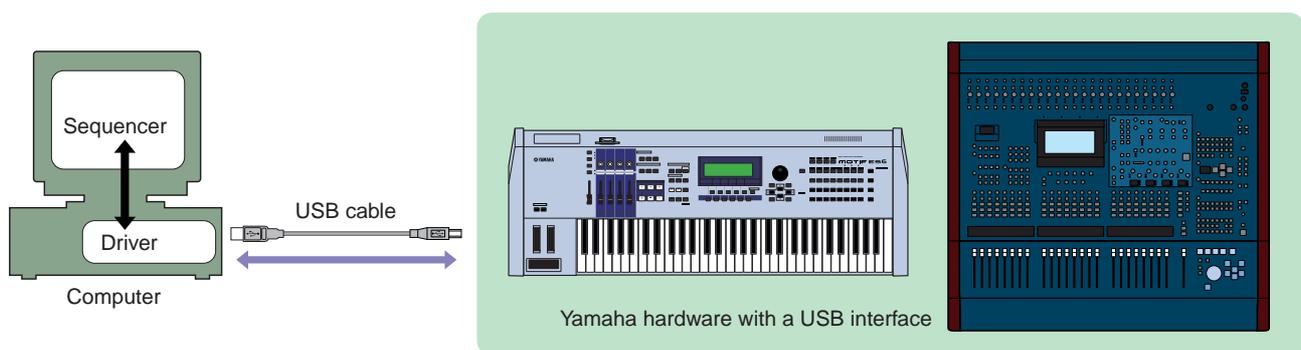
Driver Installation

Depending on the cable connection you are using, install the USB-MIDI driver or DME-N Network Driver or mLAN Tools.

NOTE You can also use MIDI cables to connect your Yamaha hardware to the computer. For details, refer to the owner's manual of your particular MIDI interface.

• USB-MIDI Driver

To operate your Yamaha hardware from your computer via USB, you'll need to install the USB-MIDI driver software. The USB-MIDI driver is software that transfers MIDI data back and forth between your sequencer software and the hardware via a USB cable.



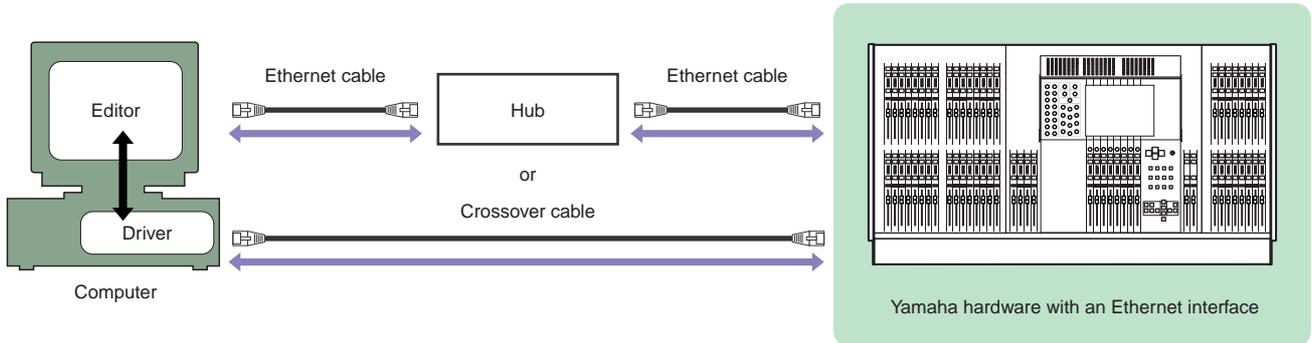
You can download the latest version of the USB-MIDI driver at the following website. For specific installation instructions, refer to the installation guide included in the downloaded file.

http://www.global.yamaha.com/download/usb_midi/

• DME-N Network Driver

To operate your Yamaha hardware from your computer via Ethernet, you'll need to install the DME-N Network Driver software.

DME-N Network Driver is software that transfers MIDI data back and forth between your computer and the hardware via Ethernet cable.



You can download the latest version of DME-N Network Driver at the following website. For specific installation instructions, refer to the installation guide included in the downloaded file.

<http://www.yamahaproaudio.com/>

• mLAN Tools

To operate your mLAN device from your computer via mLAN, you'll need to install the mLAN Tools software.

Included with mLAN Tools are driver and applications software for transferring audio/MIDI data, and setting the audio/MIDI connections between the computer and the mLAN devices via an mLAN cable.



You can download the latest version of mLAN Tools at the following website. For specific installation instructions, refer to the installation guide included in the downloaded file.

<http://www.yamahasynt.com/download/>

Studio Manager Installation

Studio Manager is a cross-platform application that enables you to use multiple Editor programs for remotely controlling Yamaha hardware from your computer, and allows you to save the Editor settings for instant recall. For specific instructions on using the software, refer to the PDF manual from the [HELP] menu in the Studio Manager and each Editor.

Follow the instructions below to install the software programs.

1 Extract the data from the downloaded compressed file and open the “sm***w” folder.

“***” represents the version number.

2 Double-click “setup.exe.”

A setup dialog of Studio Manager is displayed.

3 Follow the on-screen instructions to install the software.

For specific instructions on using the software, refer to the PDF manual from the [HELP] menu in each program.

Editor Installation

Each Yamaha Editor is a software program designed to work with a specific Yamaha hardware product, letting you edit settings for the product completely from a connected computer.

Follow the instructions below to install the software programs.

You can download the latest version editor for each hardware at the following website. For specific installation instructions, refer to the installation guide included in the downloaded file.

<http://www.yamahasyth.com/download/> (Music Production)

<http://www.yamahaproaudio.com/> (Professional Audio)

Uninstall (removing the installed application)

To remove the installed editors and Studio Manager:

Select [START] → [Control Panel] → [Add/Remove Programs] → [Install/Uninstall], then select the application to be removed and click [Add/Remove...].

Follow the on-screen instructions to uninstall the application.

NOTE The button names or menus may differ depending on the computer OS.

For Macintosh Users

Minimum System Requirements

Make sure that the computer you are using satisfies the recommended system requirements for each editor software. For details about the system requirements, refer to the owner's manual for each editor.

NOTE The system requirements may differ slightly depending on the particular operating system.

Macintosh Software Installation

To use the Studio Manager, you'll need to install the following software programs. Follow the appropriate instructions below corresponding to the software you're using.

- **USB-MIDI driver (when connecting via USB) or mLAN Tools (when connecting via mLAN)**
- **Studio Manager**
- **Editor software for your particular hardware**

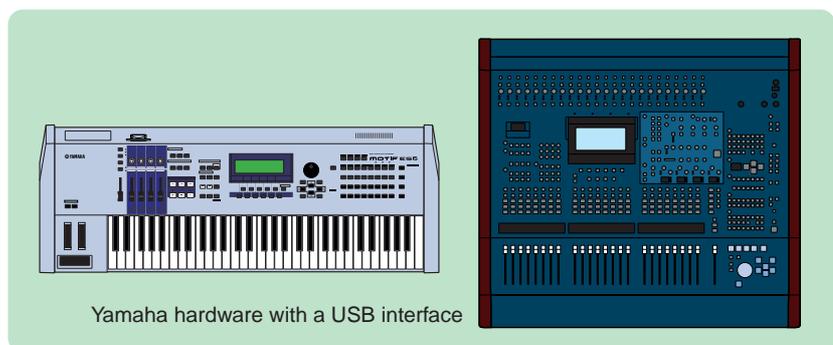
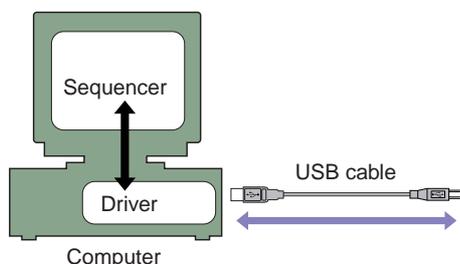
Driver Installation

Depending on the cable connection you are using, install the USB-MIDI driver or mLAN Tools.

NOTE You can also use MIDI cables to connect your Yamaha hardware to the computer. For details, refer to the owner's manual of your particular MIDI interface.

• USB-MIDI Driver

To operate your Yamaha hardware from your computer via USB, you'll need to install the USB-MIDI driver software. The USB-MIDI driver is software that transfers MIDI data back and forth between your sequencer software and the hardware via a USB cable.



You can download the latest version of the USB-MIDI driver at the following website. For specific installation instructions, refer to the installation guide included in the downloaded file.

http://www.global.yamaha.com/download/usb_midi/

• mLAN Tools

To operate your mLAN device from your computer via mLAN, you'll need to install the mLAN Tools software. Included with mLAN Tools are driver and applications software for transferring audio/MIDI data, and setting the audio/MIDI connections between the computer and the mLAN devices via an mLAN cable.



You can download the latest version of mLAN Tools at the following website. For specific installation instructions, refer to the installation guide included in the downloaded file.
<http://www.yamahasyth.com/download/>

NOTE Depending on your OS version, the mLAN connection may not function properly. For details, refer to the installation guide included with mLAN Tools.

Studio Manager Installation

Studio Manager is a cross-platform application that enables you to use multiple Editor programs for remotely controlling Yamaha hardware from your computer, and allows you to save the Editor settings for instant recall. For specific instructions on using the software, refer to the PDF manual from the [HELP] menu in the Studio Manager and each Editor.

- 1 Extract the data from the downloaded compressed file and open the “sm***mx” folder.
“***” represents the version number.
- 2 Double-click “Install Studio Manager.mpkg.”
A setup dialog of Studio Manager is displayed.
- 3 Follow the on-screen instructions to install the software.

Editor Installation

Each Yamaha Editor is a software program designed to work with a specific Yamaha hardware product, letting you edit settings for the product completely from a connected computer. Follow the instructions below to install the software programs.

You can download the latest version editor for each hardware at the following website. For specific installation instructions, refer to the installation guide included in the downloaded file.
<http://www.yamahasyth.com/download/> (Music Production)
<http://www.yamahaproaudio.com/> (Professional Audio)

Getting Started (for both Windows/Macintosh)

Please refer to the installation guide and PDF manual for your particular editor, as well as the Studio Manager PDF manual. You can open the PDF manuals for the editor and Studio Manager from the [HELP] menu.

Troubleshooting

When controlling the hardware from a computer via USB/Ethernet/mLAN, the hardware does not operate correctly or no sound is heard.

- Have you installed the latest driver?Windows: [page 4](#), Macintosh: [page 7](#)
- Is the USB/mLAN cable connected correctly? Owner's manual for your particular hardware
- Is the Ethernet cable connected correctly?
Connect the computer to the hardware by using an Ethernet cable via a hub. When connecting the computer to the hardware directly, use a crossover cable.
- Are the volume settings of the tone generator, playback device, and application program set to the appropriate levels? Owner's manuals for your particular hardware and DAW/sequencer
- Have you selected an appropriate ports in the hardware or DAW/sequence software?
..... Owner's manuals for your particular hardware and DAW/sequencer
- If your computer has automatically activated any power-saving mode (such as suspended, sleep, standby) when using the USB connection, the computer may "freeze," or the driver may stop working. When using USB, disable any power-saving mode on the computer.

Playback response is delayed.

- Does your computer satisfy the system requirements? Installation Guide for your particular editor
- Is any other application or device driver running?