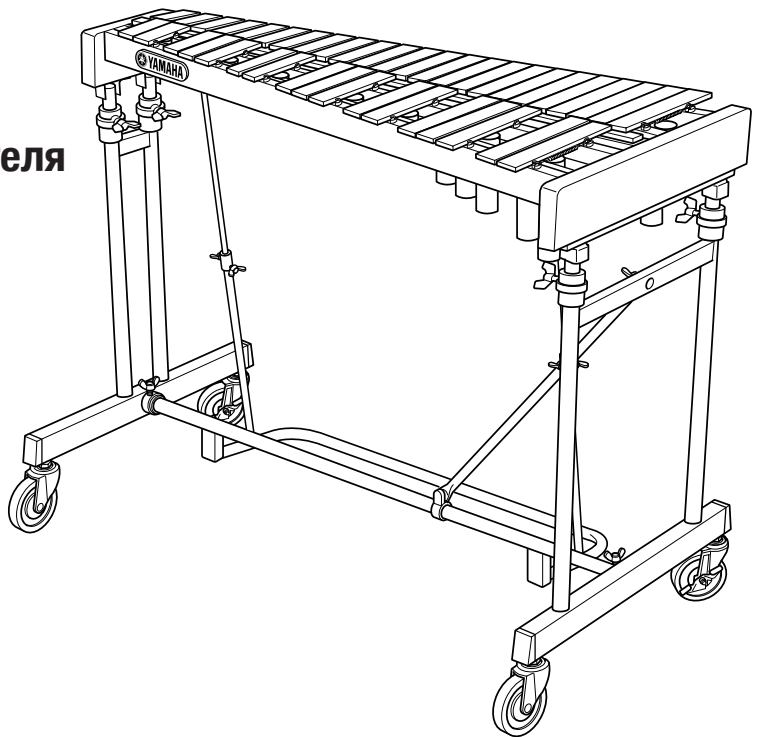


CONCERT GLOCKENSPIEL**YG-2500****取扱説明書****Owner's Manual****Mode d'emploi****Руководство пользователя****使用手冊****사용설명서**

組み立ての前に、P.2「安全上のご注意」およびP.4「ガสปリング取り扱いに関する注意事項」を必ずお読みください。

Before starting assembly, be sure to read the following sections; “Safety Precautions” page 13, “To get the most out of your instrument” page 14 and “Precautions for handling gas spring” page 15.

Avant de commencer le montage, nous vous conseillons de lire attentivement les paragraphes suivants : “Consignes de sécurité” page 24, “Pour tirer le meilleur parti de votre instrument” page 25 et “Précautions de manipulation du ressort à gaz” page 26.

Перед началом сборки обязательно прочтите следующие разделы: «Меры безопасности» стр.35, «Максимально эффективное использование инструмента» стр.36 и «Предосторожности при обращении с пневматической пружиной» стр.37.

开始组装之前，务请阅读以下部分：第 46 页“安全注意事项”、第 47 页“最有效地使用乐器”和第 48 页“气弹簧操作注意事项”。

조립을 시작하기 전에 57 페이지의 “안전 주의사항”, 58 페이지의 “악기의 최적 성능을 내려면” 및 59 페이지의 “가스 스프링 취급상의 주의사항” 을 반드시 읽어 주십시오 .

Safety Precautions

Using the Concert Glockenspiel Safely

The concert glockenspiel is a large and heavy instrument that gets used in various places by persons of all ages, so please obey the following instructions regarding their regular care and placement. Especially in the case of children, a responsible adult should provide proper instruction on how to use and treat the glockenspiel before use.

Preventing Injuries —Make sure that all precautions described below are obeyed—

About the Icons

Icons are used in this section to promote the safe use of this product, and to prevent you and others from harm and property damage. Please fully understand the meaning of the icons before reading the manual.



This icon urges you to pay caution (includes dangers and warnings).



This icon indicates actions that are prohibited.



For example: Do not disassemble.



This icon indicates special instructions that should be strictly followed.



Warning

Disregard of the warnings with this mark or misuse may result in death or personal injury.



Before you use the concert glockenspiel, carefully read the instructions listed below and the owner's manual.

Cautions when setting the instrument.



Never place the instrument on an sloping, unstable, etc., platform. The instrument may fall or overturn and result in injury.

Cautions for treatment of the instrument.



Never lean on or climb onto the instrument. The instrument may fall and result in injury.



Do not play or roughhouse around the instrument. Bumping into the instrument may result in injury. It may also cause instrument may also fall over. Keep children away from the instrument.



If an earthquake occurs, strong shocks caused by the earthquake may overturn the instrument or cause it to move about. Stay away from the instrument during earthquakes.

Cautions when moving the instrument.

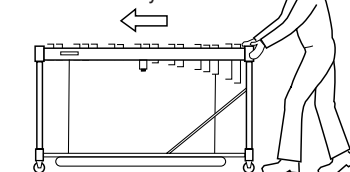


When moving the instrument on its casters, **only move across smooth, flat surfaces**. Lower the instrument's height to its lowest position and push forward slowly while supporting the upper portion of the side frame.

When moving the instrument on its casters.

1. Avoid moving the instrument across surfaces that are sloped, uneven, or graveled. The concert glockenspiel can collapse and/or get out of control.
2. Do not run with the instrument. The instrument may become impossible to stop, crash into a wall, and cause serious injury.
3. If the instrument must be lifted, do so with at least two (2) persons. Lift the instrument by its frame ends using both hands. Holding the rail section can result in the instrument dropping or falling off. Never hold the instrument anywhere other than the frame ends. The weight of the YG-2500 is approximately 36kg.

Hold the instrument by the frame end and push forward slowly.



Moving the instrument up or down stairs should never be done with the instrument assembled. Doing so is a danger as parts can fall off, or you can lose balance causing the instrument to fall over. Only move the instrument after it has been disassembled.



Caution

Injury or handicaps to persons caused by the disregard of warnings with this mark or, misuse of the instrument, may result in the loss of personal property.



If the instrument is often moved, bolts, parts, etc., may become loose. After moving the instrument, check and make sure all bolts, parts, etc., are firmly fastened. Firmly tighten all loose items.



Do not use the mallets for any purpose other than playing the instrument. Doing so can result in injury or accident. Do not allow children to hit others, etc., or any other dangerous behavior.



Take care not to pinch your hands during assembly. Frame and leg sections in particular, should be assembled by two persons working carefully.



When assembling/disassembling the instrument, make sure to follow the procedure outlined in this manual. Assembly in the wrong order can cause the pipes to drop which may result in an injury, impair the performance functionality of the instrument or cause noise.



After final adjustment of the legs the fixing screws must be tightened securely to prevent loosening. Looseness may cause the instrument to shift during performance and can also cause noise and other problems. Retighten the screws from time to time.

To get the most out of your instrument

Please read the following instructions carefully before using your glockenspiel.

◆ Installation Location

Use or storage in the following locations may cause damage, even when packaged.

- In direct sunlight, such as near a window, or in a closed vehicle in daytime.
- Near heating devices or in other locations subject to excessive heat.
- In excessively cold environment.
- In places with excessive humidity or dust.
- Locations subject to vibrations.

◆ Handling

- Placing objects on or leaning against the instrument can damage the tone bars or the side frame. This can also lead to the instrument falling over, etc. as described in the "Precautions" section. Never do this as it is very dangerous.
- Do not use the glockenspiel's mallets on a vibraphone, metallophone, etc. It can dent the tone bars or cause damage, which can result in poor pitch.

◆ Transporting the Instrument

- When transporting the disassembled instrument, remove the tone bars and resonator pipes from the glockenspiel and wrap them in a soft blanket, etc. for transport.
- When moving the instrument with its casters, make sure you adjust the instrument's height to its lowest level. This puts the instrument's center of gravity at a lower point for greater stability while moving.
- The instrument is sensitive to impacts. Treat the instrument with care when moving. Never drop or throw the instrument.
- If it is necessary to lift the instrument while moving it, always do so with at least two persons and using both hands to hold the side frames or legs. The instrument weighs about 36 kilograms.

◆ Maintenance

- The tone bars should be polished from time to time using a soft and dry cloth. Never use thinner or benzene or a wet cloth for cleaning purpose.

◆ Keep This Manual for Future Reference

- After reading, make sure to keep the manual in a safe place.

Precautions for handling gas spring

Please observe the following instructions for proper handling of the gas spring.

1. Precautions for handling the gas spring	⚠ Caution
<p>⊘ This gas spring requires no oil supply to its sliding section. Additional oil will reduce the sealing durability and cause the oil to leak.</p>	<p>⊘ Note that a nick on the piston rod or cylinder will shorten the service life of the sealing or cause a malfunction.</p>
<p>⊘ Never apply any impact to the gas spring. It will cause oil leakage, malfunction or breakage.</p>	<p>⊘ Do not expose the gas spring to an excessively high or low temperature. The allowable temperature range for use is -20°C to 80°C.</p>
<p>⊘ Never disassemble the gas spring. As a high pressure gas is sealed in it, disassembling it will cause a high risk.</p>	<p>⊘ Avoid using the instrument where it is exposed to rain, water or much dust.</p>
<p>⊘ Note that there is not much rigidity in the bending direction. Depending on accuracy in its installation, the bending load will cause the rod to bend, resulting in malfunction.</p>	<p>⊘ Do not apply an excessive force to lift the frame end and pull off the gas spring from the leg.</p>

- Do not apply a high tensile load to the gas spring as it will cause damage to the gas spring.
- In the event of a failure, stop using the instrument and contact the shop of its purchase. If your dealer is unable to assist you, please contact Yamaha directly.

2. Instructions for discarding the gas spring

⚠ Danger

Make sure to observe the following instructions when discarding the gas spring.

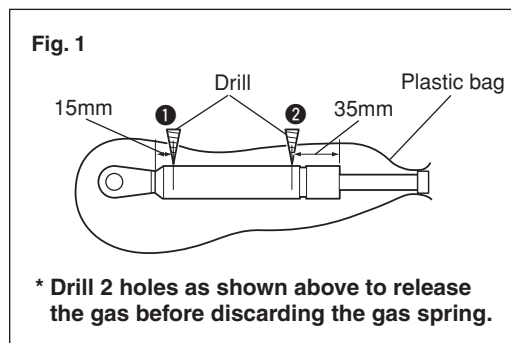
As pressurized nitrogen gas is sealed in the gas spring, be sure to release before discarding it. Or an explosion may occur, causing an injury.

[PRECAUTIONS]

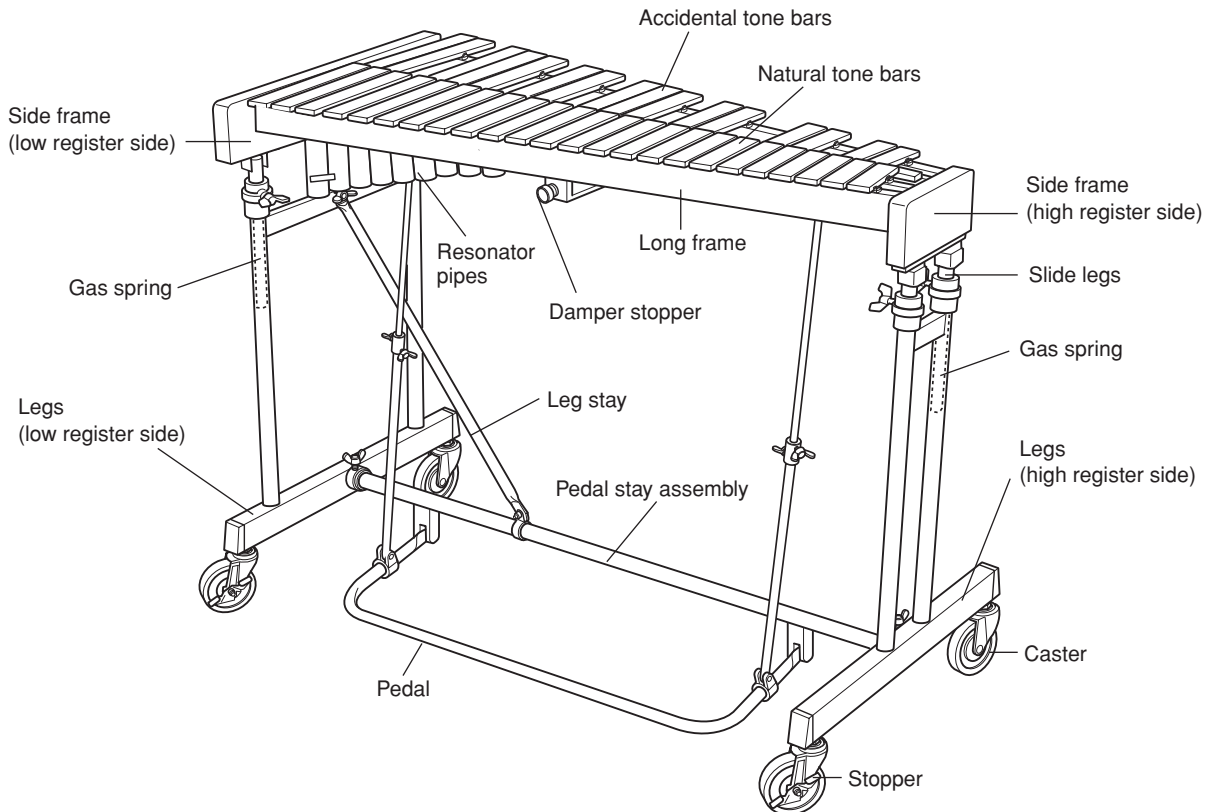
- A. Do not crash.
- B. Do not cut.
- C. Do not make a hole anywhere other than the specified positions (① and ② in the Fig.1).
- D. Do not throw it in the fire.

[Discarding procedure]

1. Put the gas spring in a plastic bag. Using a drill of 2 to 3 mm, make a hole ① from outside of the plastic bag at the position as specified in the figure to release the gas and oil and then make a hole ② at the position as specified. (Be sure to make holes in the order of ① and ②.)
2. If a vinyl bag is not used, the oil and drill chips will spread. (In such a case, wear eye protection glasses.)

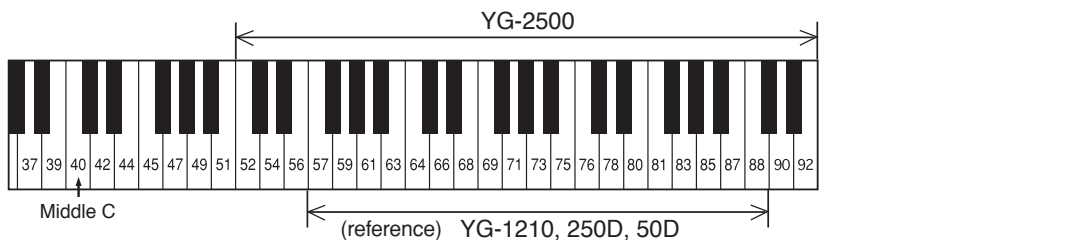


Nomenclature



Specifications

	YG-2500
Pitch Range	C52-E92 (3 1/2 octaves)
Tone Bar Material/Support	High Carbon Steel Tone Bars/Mounted with strings through holes drilled through the sides
Tone Bar Width/Thickness	32.5mm/9mm
Dimensions (W x D x H)	106.2cm x 56.4cm x 85-105cm (41-3/4" x 22" x 33-1/2"-44-3/8")
Weight	36kg (79 lbs)
Accessories	None



* Please note that specifications and/or design may change without notice.

Parts Checklist

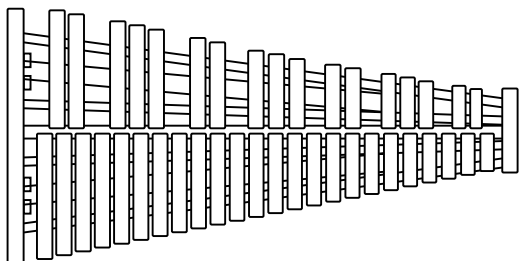
The following parts are included in the YG-2500 package.

Before assembling the instrument, make sure that all parts are present and accounted for.

* If any parts are missing, please contact the dealer from whom you purchased the instrument.

① **Glockenspiel main unit**

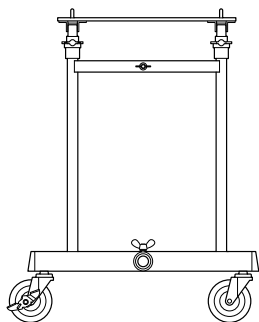
(consisting of the side assemblies, tone bars, and resonators).



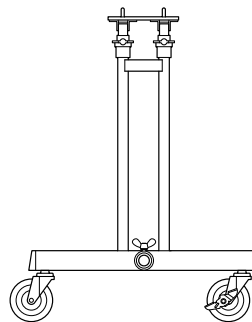
CAUTION

Do not remove the glockenspiel's main unit from the package until you are ready to start Step 2 "Attach the main unit of the glockenspiel to the legs" described on page 20. As the resonator pipes are already attached to the main unit, it will be unstable if placed on the floor, which can be very dangerous in addition to causing damage to the frame and pipes.

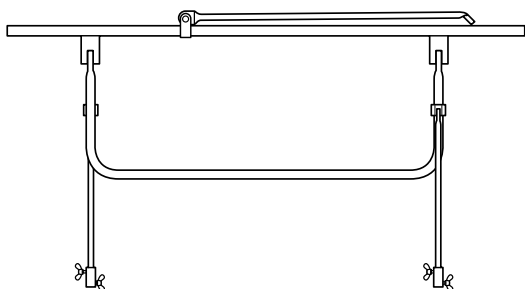
② **Legs (low register side)**



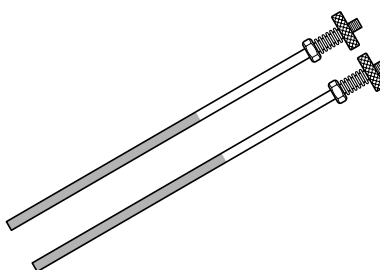
③ **Leg (high register side)**



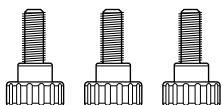
④ **Pedal stay assembly**



⑤ **Center rods x2**



⑥ **Main unit fixing knobs x3**



⑦ **Owner's Manual (this booklet) x1**

Assembly

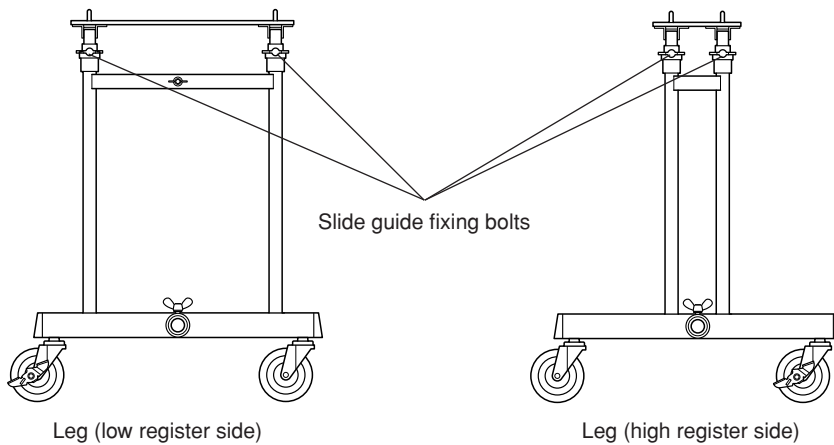
For safety reasons, assembly should be performed with at least two persons and in a sufficient amount of space.

To protect the instrument from damage, we recommend that you assemble it on a carpet, soft cloth, etc., placed on a flat surface.

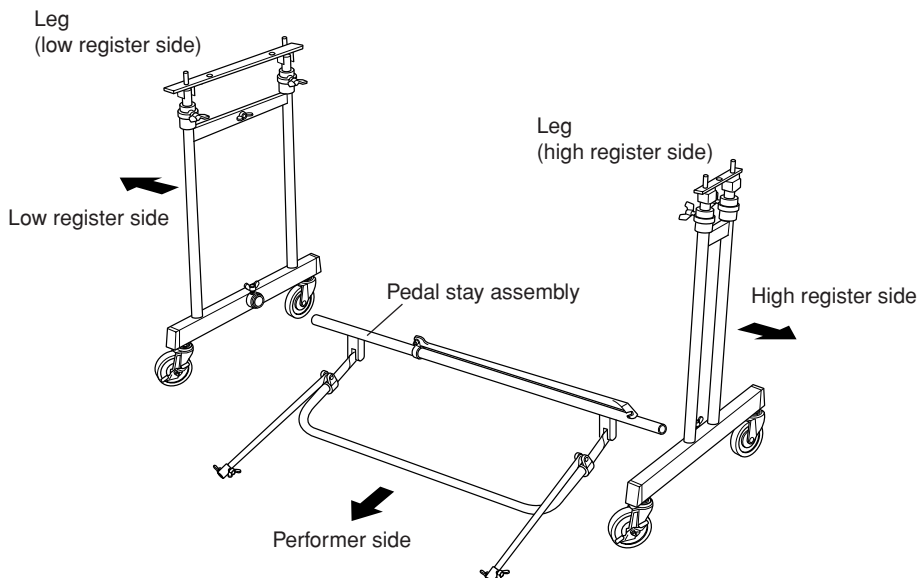
1 Connect the pedal stay assembly to both legs (low register and high register sides).

* Make sure that the slide guide fixing bolts on both legs are tightened firmly before performing this operation.

CAUTION Do not loosen the slide guide fixing bolts at this point. Doing so will result in the legs suddenly rising. This can be extremely dangerous!



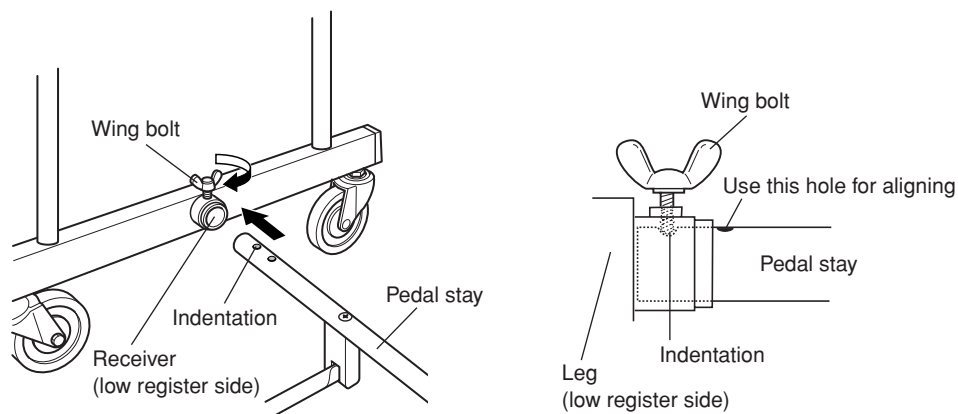
1-1 Position the pedal stay assembly and low and high register side leg assemblies as shown in the illustration below.



- 1-2** Position the pedal stay so the indentation is facing up, and insert the pedal stay all the way into the receiver (low register side) on the leg (at this point, the wing bolt's end is aligned with the indentation on the pedal stay), then tighten the wing bolt to secure.

Attach the pedal stay assembly to the high register side in the same manner.

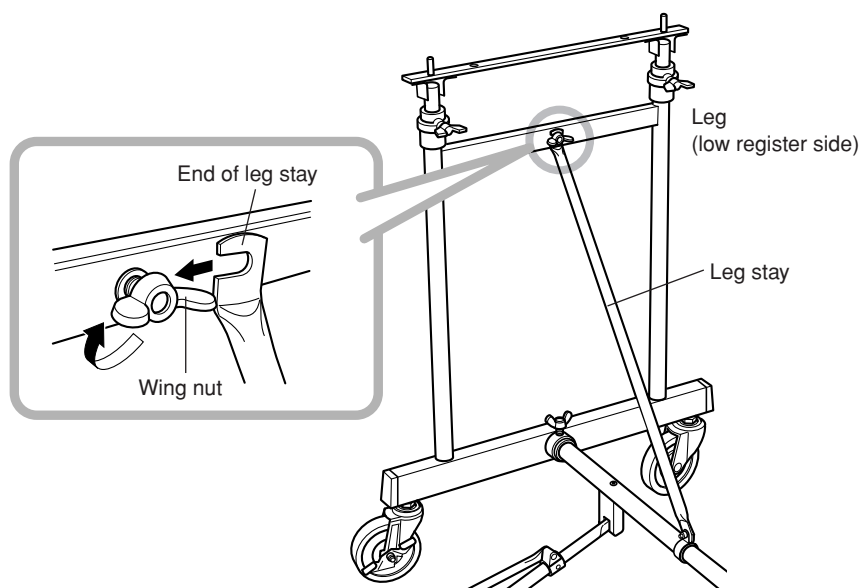
* Use the hole close to the indentation as a reference for aligning the pedal stay.




The illustration shows attachment of the pedal stay to the low register side.

- 1-3** After confirming that both right and left legs are standing vertically, attach one end of the leg stay that is attached to the pedal stay, onto the leg (low register side) using the wing nut located between the two upright legs, and tighten the wing nut to secure.

* Slide the end of the stay firmly onto the bolt.



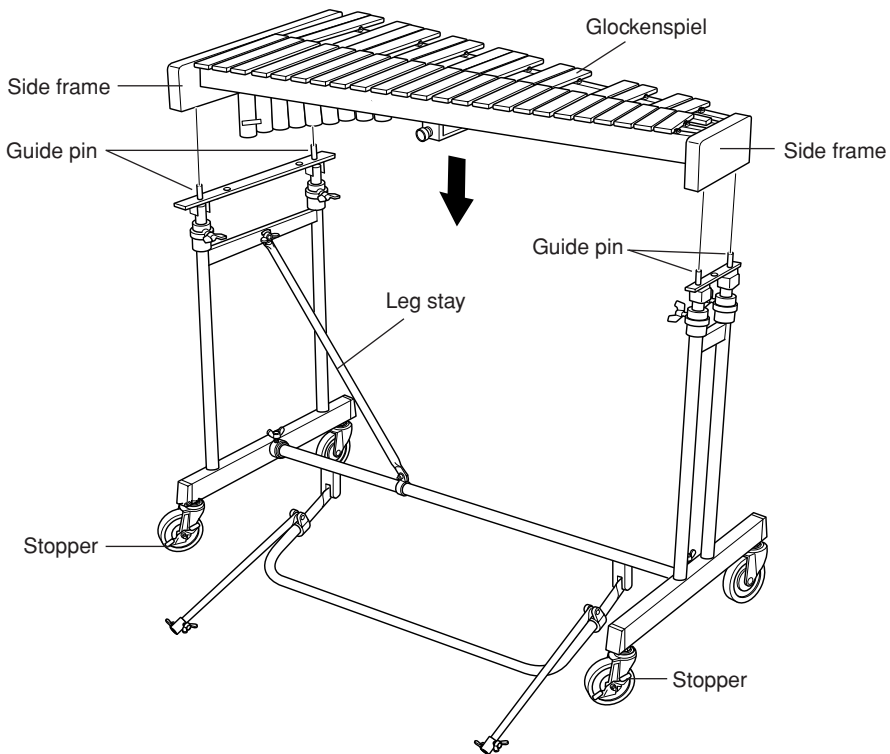
2 Attach the main unit of the glockenspiel to the legs.

 **CAUTION** The glockenspiel is heavy so make sure that two persons carry out the operation.
Also, take care not to pinch your fingers between the glockenspiel and the legs.

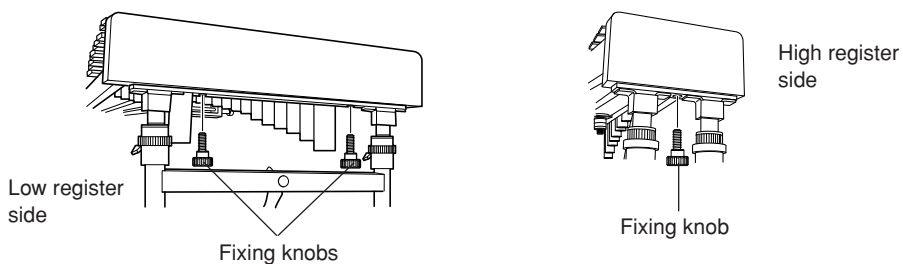
2-1 Lock the caster stoppers on either side so that the legs do not move about during the assembly.

2-2 Align the holes (two holes on each side) located on the underside of the side frames with the guide pins on the top of the legs and then place the glockenspiel main unit onto the legs.

** If the guide pins can not be aligned with the holes on the underside of the side frames, temporarily disconnect the leg stay and try again.*



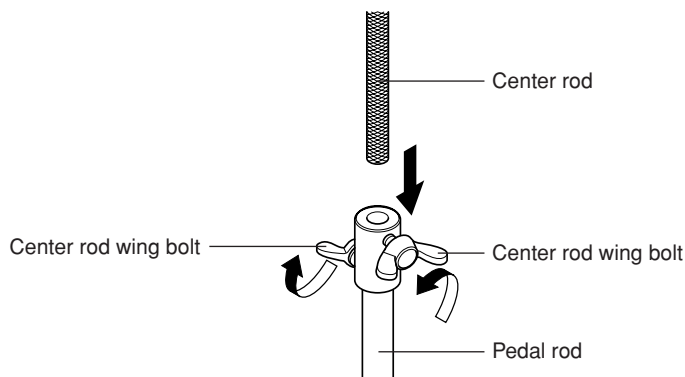
2-3 Use the fixing knobs (supplied) to secure the legs to the right and left side frames (two locations on the low register side and one location on the high register side).



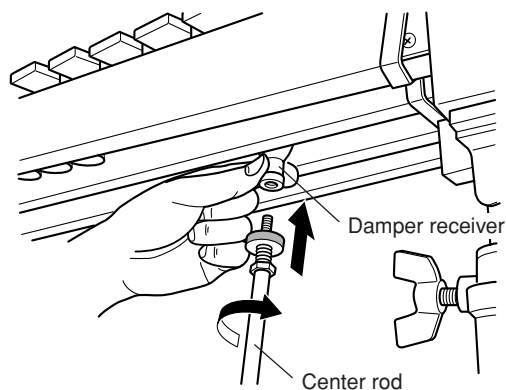
2-4 Connect the center rod to the damper receiver.

** This operation must be carried out on both low and high register sides.*

2-4-1 Loosen the center rod wing bolts (two locations) and insert the center rod into the pedal rod.



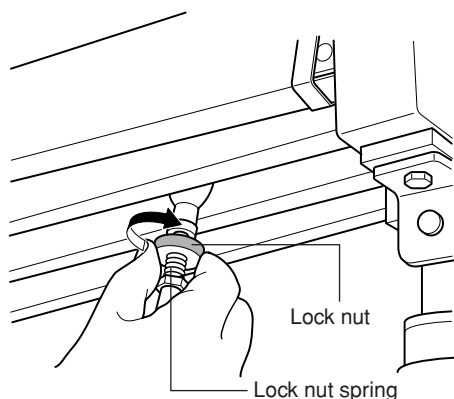
2-4-2 While supporting the damper receiver with your hand, insert the end of the center rod into damper receiver.



The illustration shows the attachment looking from the high register side.

2-4-3 Tighten the lock nut on the center rod to secure.

** When the nut becomes loose, or when the lock nut is set too high, the lock nut spring will be loose. This can be a source of noise so take care and adjust properly.*



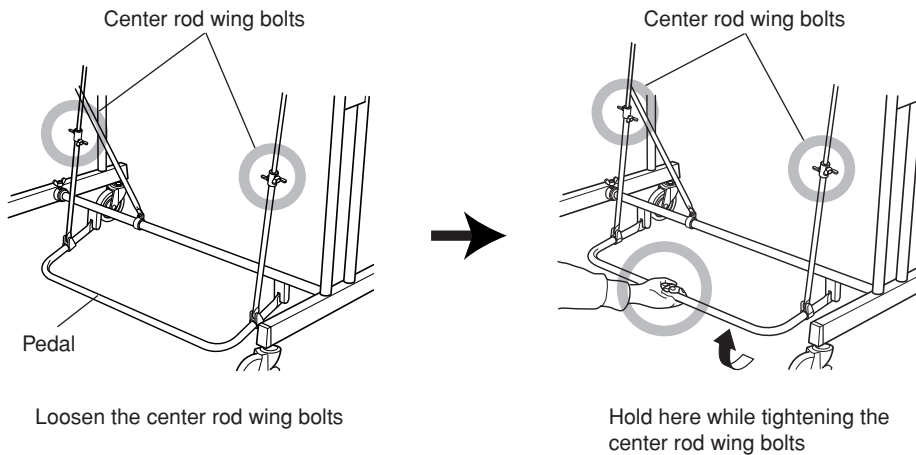
3 Adjustments

3-1 Pedal height adjustment

Loosen the center rod wing bolts (two each) on the right and left side center rods and hold the pedal up to adjust the pedal height (the space between the bottom of the pedal and the floor).

After determining the height, hold the pedal and tighten the center rod wing bolts (two each) on both right and left side center rods.

** 2-3cm of space between the bottom of the pedal and the floor should be adequate.*



3-2 Damper Adjustment

3-2-1 Rotate the damper adjustment nut 2 (thinner nut) to the left to unlock the damper adjustment nut 1 (thicker nut).

3-2-2 Rotate the damper adjustment nut 1 and adjust the damper (the amount of damper applied to the tone bars).

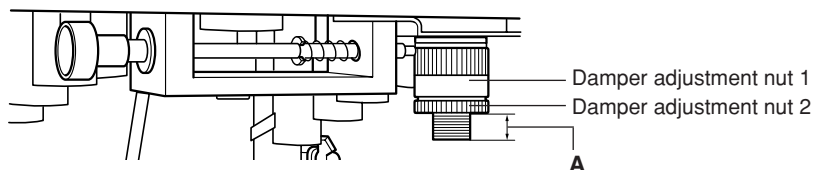
Rotate the damper adjustment nut 1 to the left.....Increases the amount of damper.

Rotate the damper adjustment nut 1 to the rightDecreases the amount of damper.

3-2-3 After damper adjustment is complete, tighten the damper adjustment nut 2 to lock the damper adjustment nut 1.

** If the damper adjustment nut 2 is not tightened firmly, the damper adjustment nuts can drop off or cause noise.*

** A half damper effect can be obtained by lessening the amount of damper until the sound slightly sustains even though the pedal is not depressed.*



** If the space labeled "A" in the illustration is under 10mm, the damper stopper will not function properly. Make sure this space is more than 10mm.*

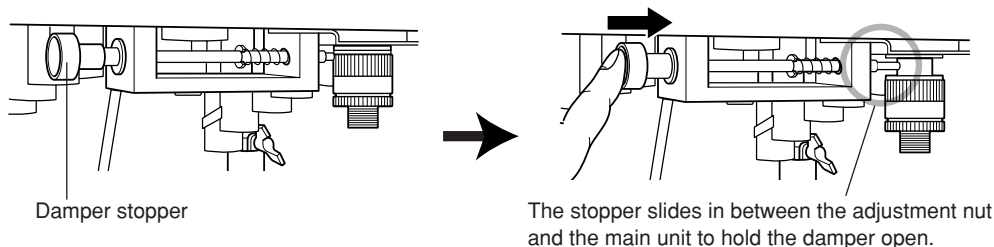
3-3 Using the damper stopper

Engaging the damper stopper, located on the performer side in the center of the long frame, holds the damper open (letting the tone bars sustain) without having to continuously press the damper pedal.

While holding the pedal down with your foot, press the stopper knob and remove your foot from the pedal. The pedal remains in the lowered position and locked.

Press on the pedal again to automatically disengage the stopper and restore normal operation.

* If pedal height adjustment in step 3-1 "Pedal height adjustment" is set too low, the damper stopper may not function properly. Please set the space between the bottom of the pedal and the floor to more than 2cm.



4 Adjusting the tone bar height



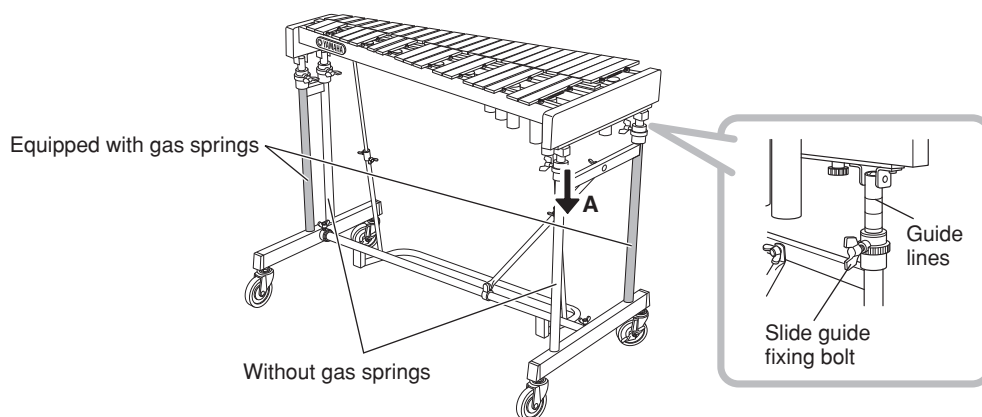
CAUTION

When loosening the slide guide fixing bolts be sure to hold down the side frame from above. The side frame can suddenly rise which is extremely dangerous.

Holding down both low and high register side side frames, loosen the slide guide fixing bolts. After adjusting the instrument to a comfortable height, tighten the slide guide fixing bolts to secure. Use the guide lines on the slide legs as a reference and adjust the height so that the instrument's playing surface is parallel to the floor.

A gas spring system is incorporated into one of the legs on the high register end, and another leg on the low register end. When the slide guide fixing bolts are loosened on the low register side, the side attached to the leg without the gas spring may slightly lower (diagram A) however, this is not a sign of any problem. When adjusting instrument height, slightly lift up on the side that is not equipped with the gas spring.

After assembly is complete, make sure all nuts and bolts are tightened firmly.



The brown felt attached to both sides of the glockenspiel's main unit and the cardboard attached at two positions on the low register side are part of the packing materials used to hold the tone bars in place. After assembly is complete, pull on the felt and cardboard to remove.

